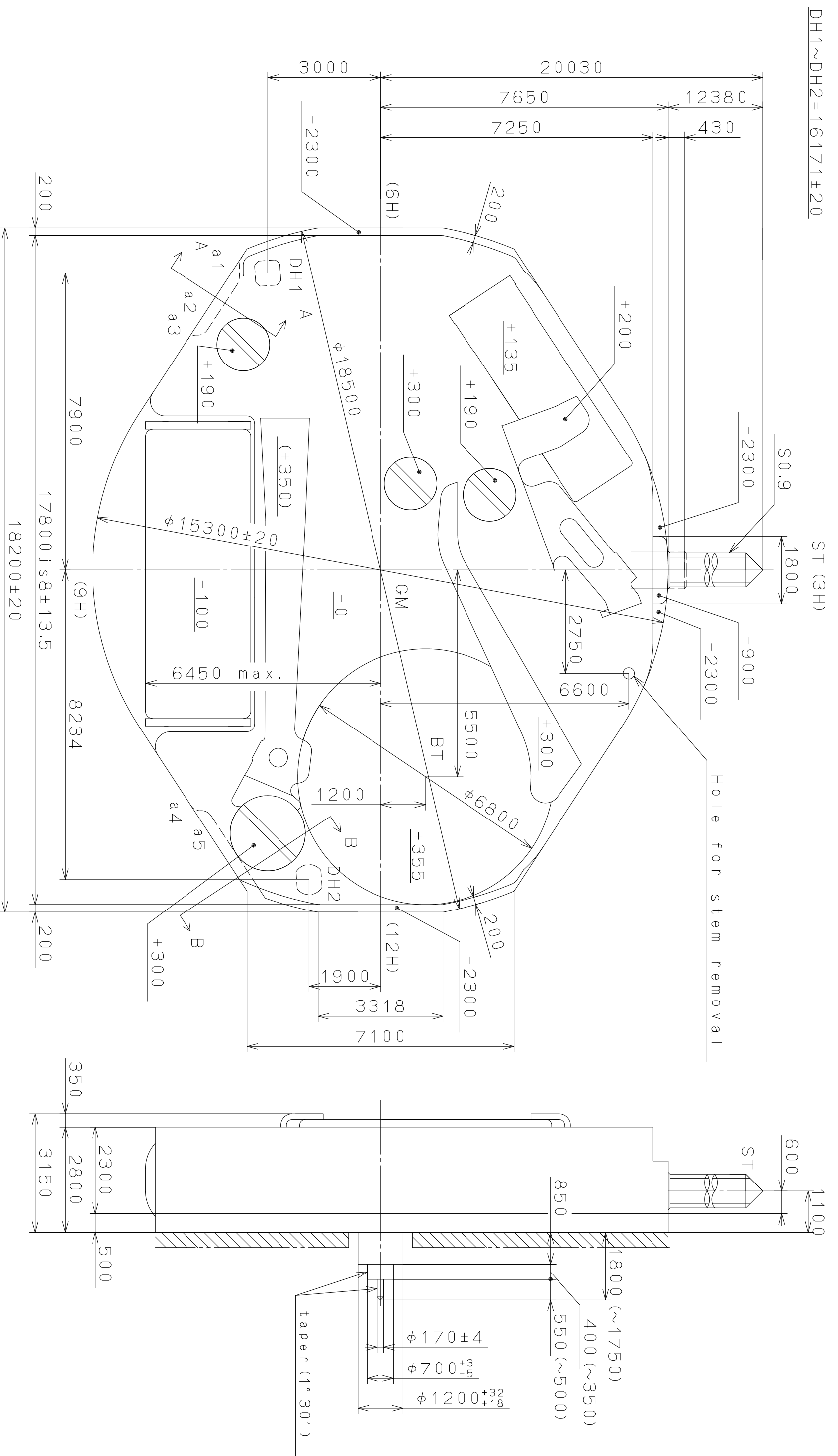
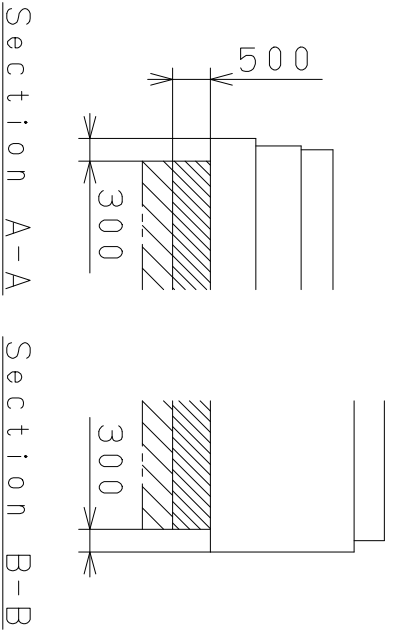


This drawing is provisional and subject to our reconfirmation and/or revision without notice.



Coordinates

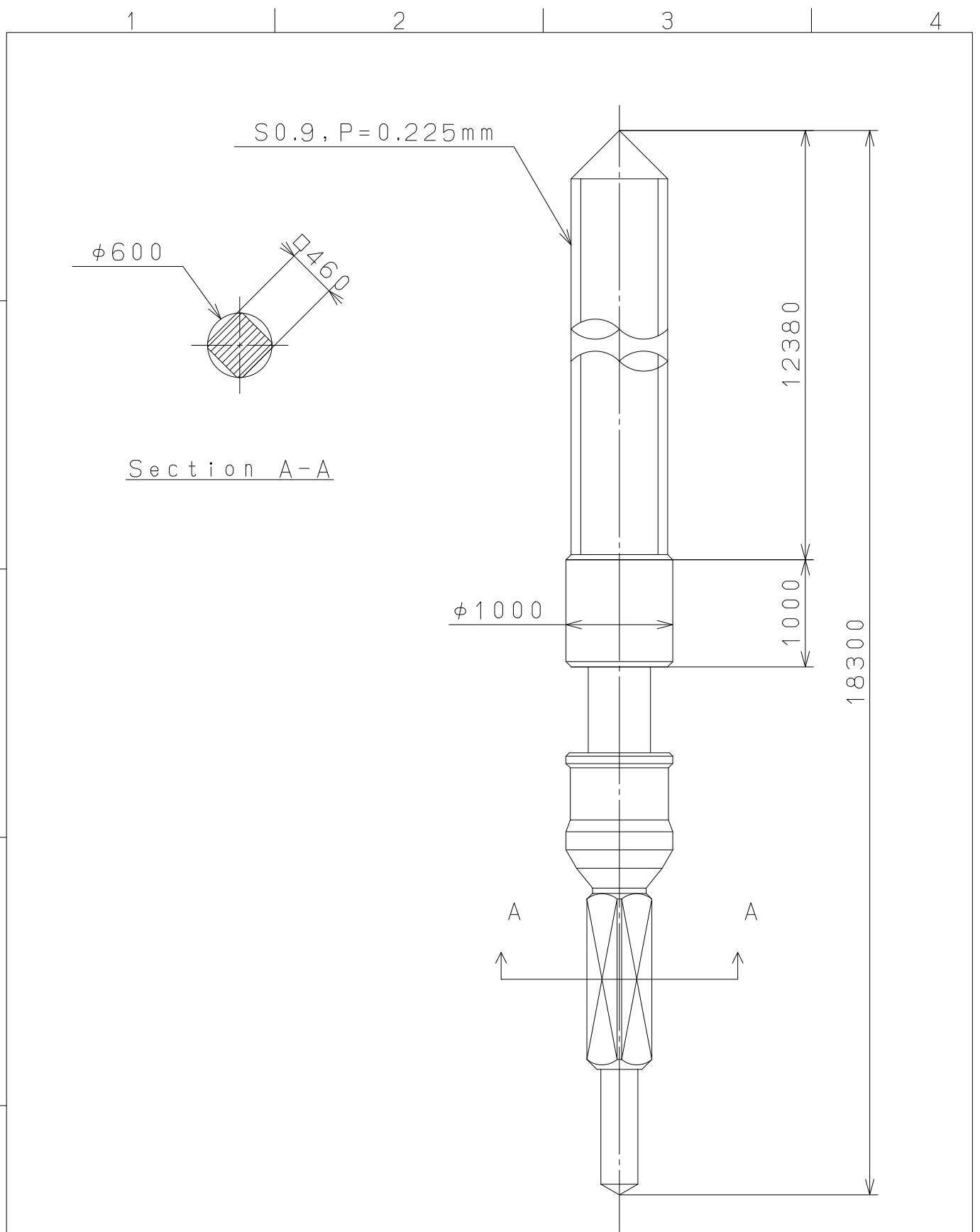
Mark	X	Y	R
GM	0	0	—
a1	-7838	-4250	500
a2	-6550	-4855	300
a3	-5951	-4888	300
a4	6101	-4790	300
a5	6700	-4756	300



Mark	Date	Description	Appr.	Checked	Drawn	Quantity	Unit	Cal. NO.:
△						1	1/1000 mm	2034
△							Scale	10 : 1
△							Date	
△							Drawn	
△							Checked	
△							Appr.	
△							Approved	D. Yamada
△							Alterations	
△							Material	
△							Heat Treatment	
△							Hardness	
△							Plating	
							General Tolerances	
							Dimensions	
							Angles	
							Parts No.:	
							Name:	Frame for Case
							Drawing No.:	203400C0

MIYOTA
CITIZEN WATCH CO., LTD. TOKYO, JAPAN

This drawing is provisional and subject to our reconfirmation and/or revision without notice.



△5			Quantity		Cal.NO.:
△4			Unit	1 / 1000 mm	
△3			Scale	20 : 1	Parts No.:
△2			Date		065-299
△1			Drawn		
Mark	Date	Description	Appr.	Checked	D. Yamada
Alterations			Approved	Name:	
					SETTING STEM
Material					Drawing No.: 299000S0
Heat Treatment					MIYOTA CITIZEN WATCH CO., LTD. TOKYO, JAPAN
Hardness	General Tolerances				
Plating	Dimensions				
	Angles				