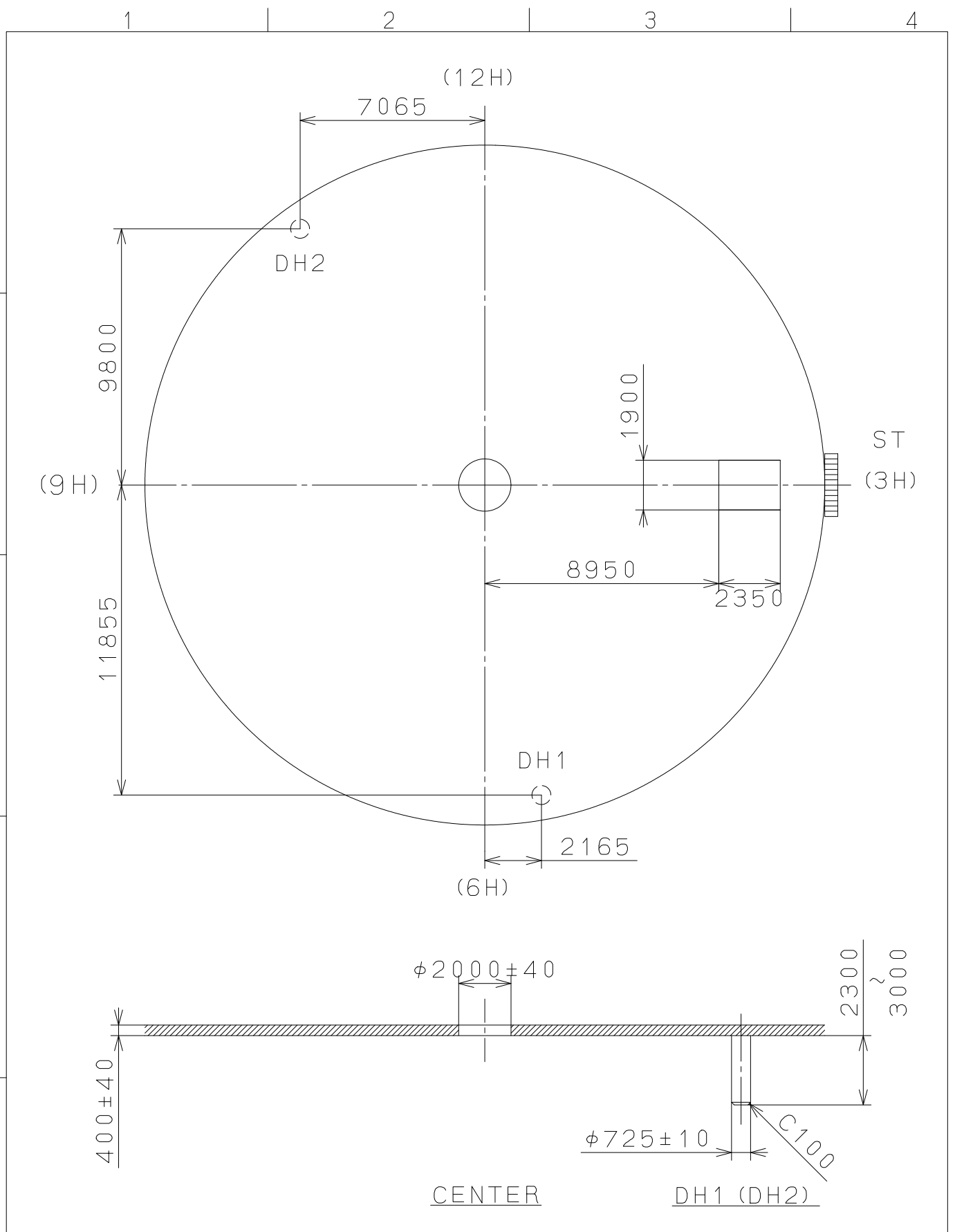
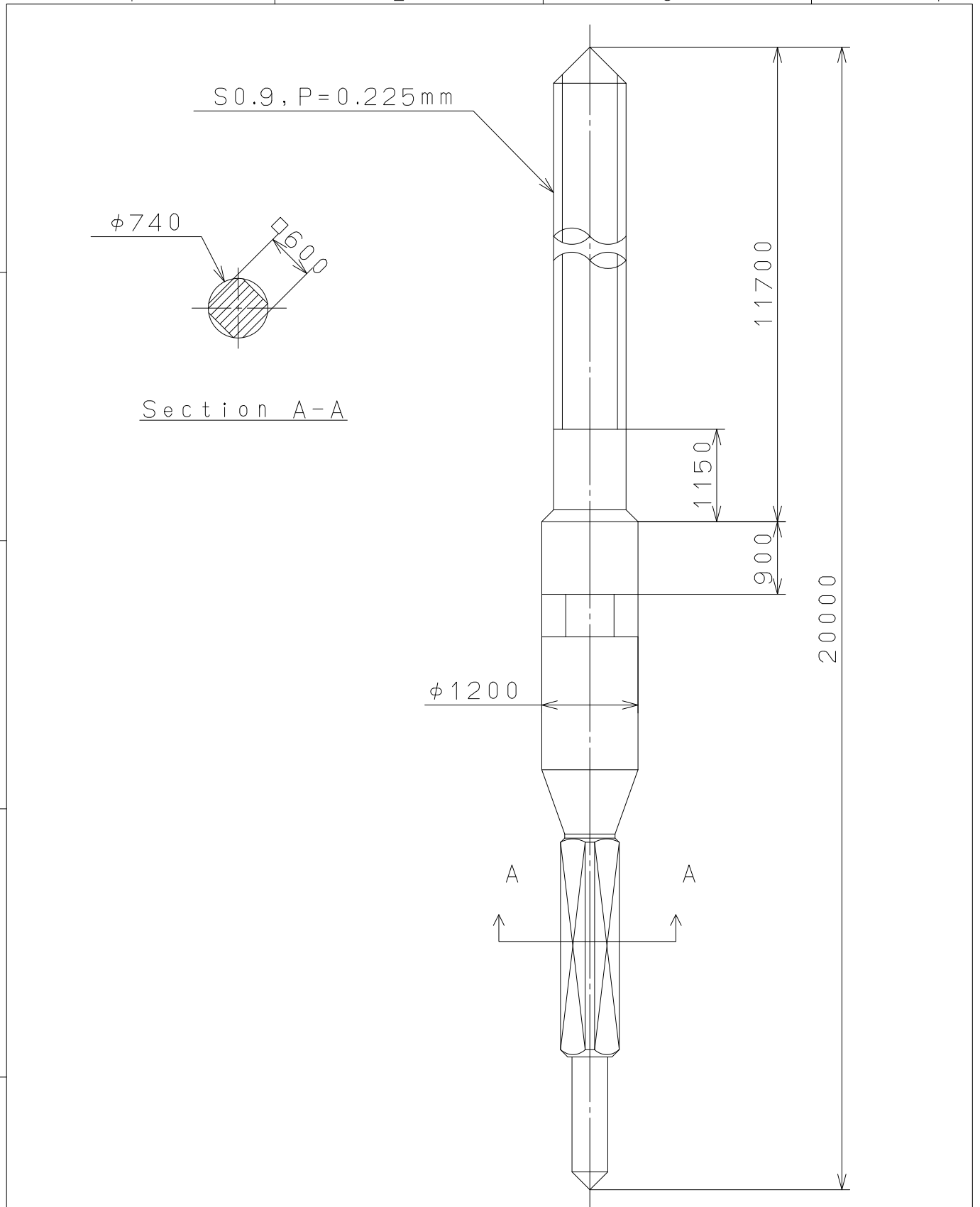


This drawing is provisional and subject to our reconfirmation and/or revision without notice.



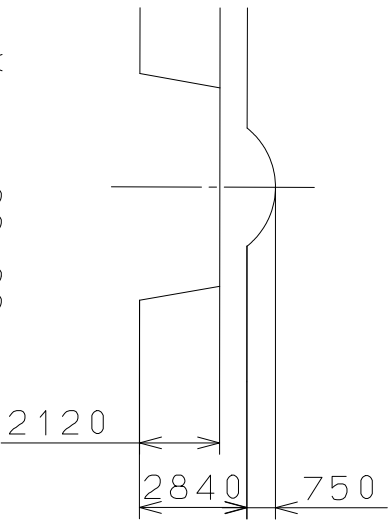
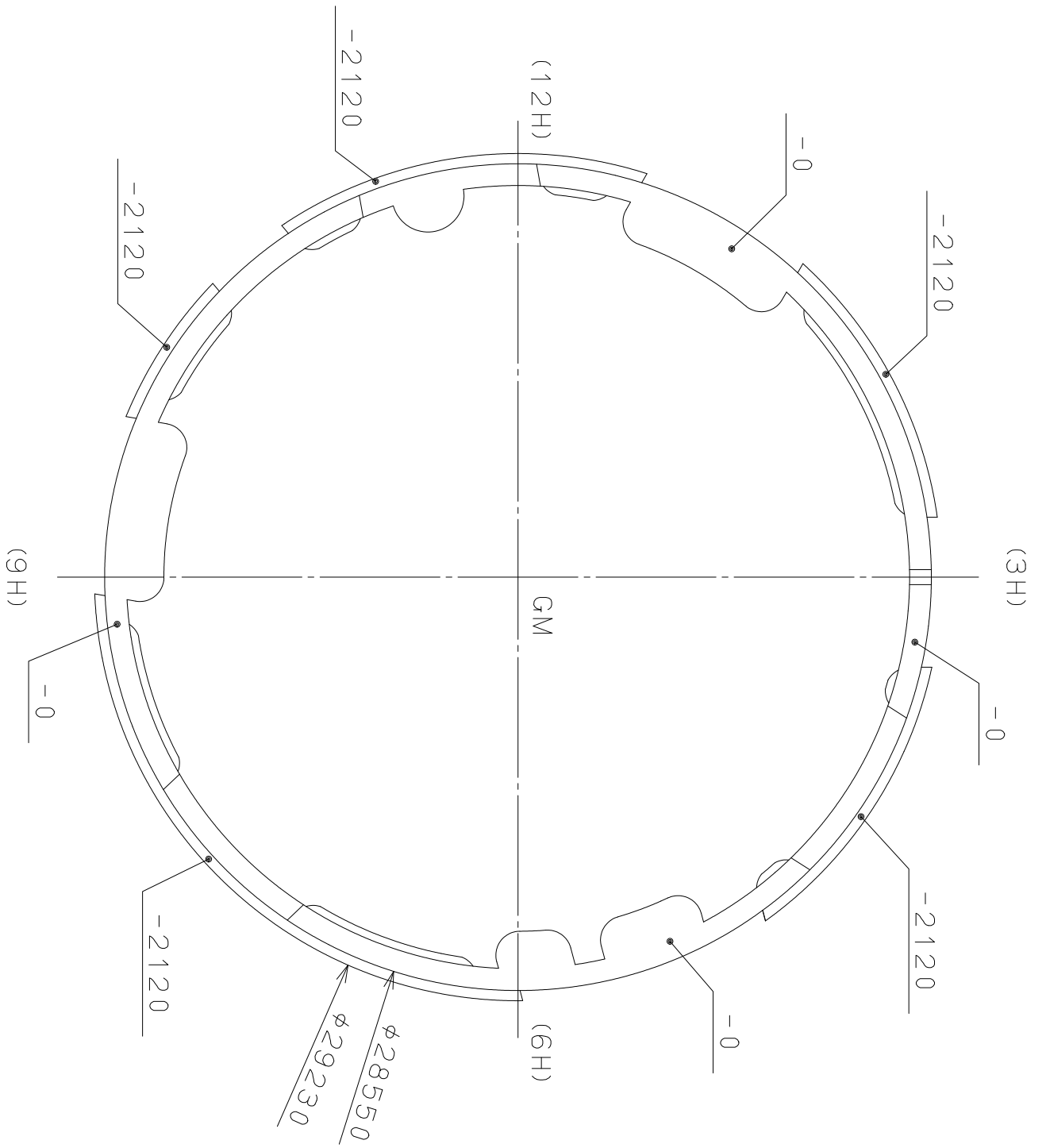
△			Quantity		Cal.NO.:
△			Unit	1 / 1000 mm	8215-33D
△			Scale	5 : 1	Parts No.:
△			Date		
△			Drawn		
Mark	Date	Description	Appr.	Checked	Name:
		Alterations		Approved	D. Yamada
Material					Indications for Dial
Heat Treatment					Drawing No.: 821504D0
Hardness					MIYOTA
Plating					

This drawing is provisional and subject to our reconfirmation and/or revision without notice.

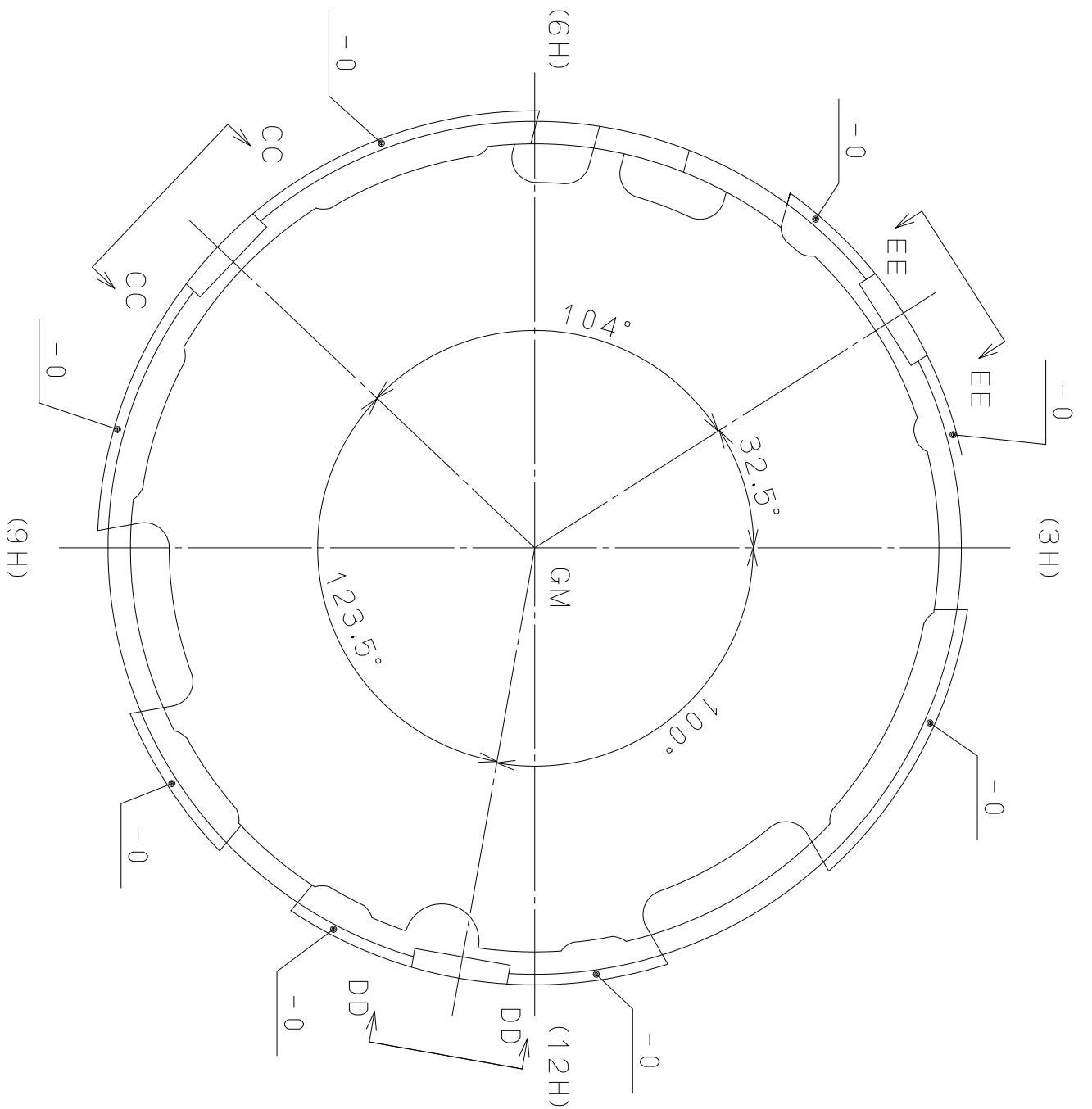


△5			Quantity		Cal.NO.:
△4			Unit	1/1000mm	
△3			Scale	15:1	Parts No.:
△2			Date		065-212
△1			Drawn		Name:
Mark	Date	Description	Appr.	Checked	D. Yamada
Alterations			Approved	SETTING STEM	
Material					Drawing No.: 212000S0
Heat Treatment					MIYOTA CITIZEN WATCH CO., LTD. TOKYO, JAPAN
Hardness	General Tolerances				
Plating	Dimensions				
	Angles				

This drawing is provisional and subject to our reconfirmation and/or revision without notice.



View CC-CC
DD-DD, EE-EE



△	Quantity	Cal. NO.:
△	Unit	1/1000 mm
△	Scale	5 : 1
△	Date	Parts No.:
△	Drawn	500-710
Mark	Date	Check
Alterations	Description	Appr.
Material	Approved	D. Yamada
Heat Treatment		Name:
Hardness	General Tolerances	Casing Holder
Plating	Dimensions	Drawing No.: 820500E0
	Angles	MIYOTA
		CITIZEN WATCH CO., LTD. TOKYO, JAPAN