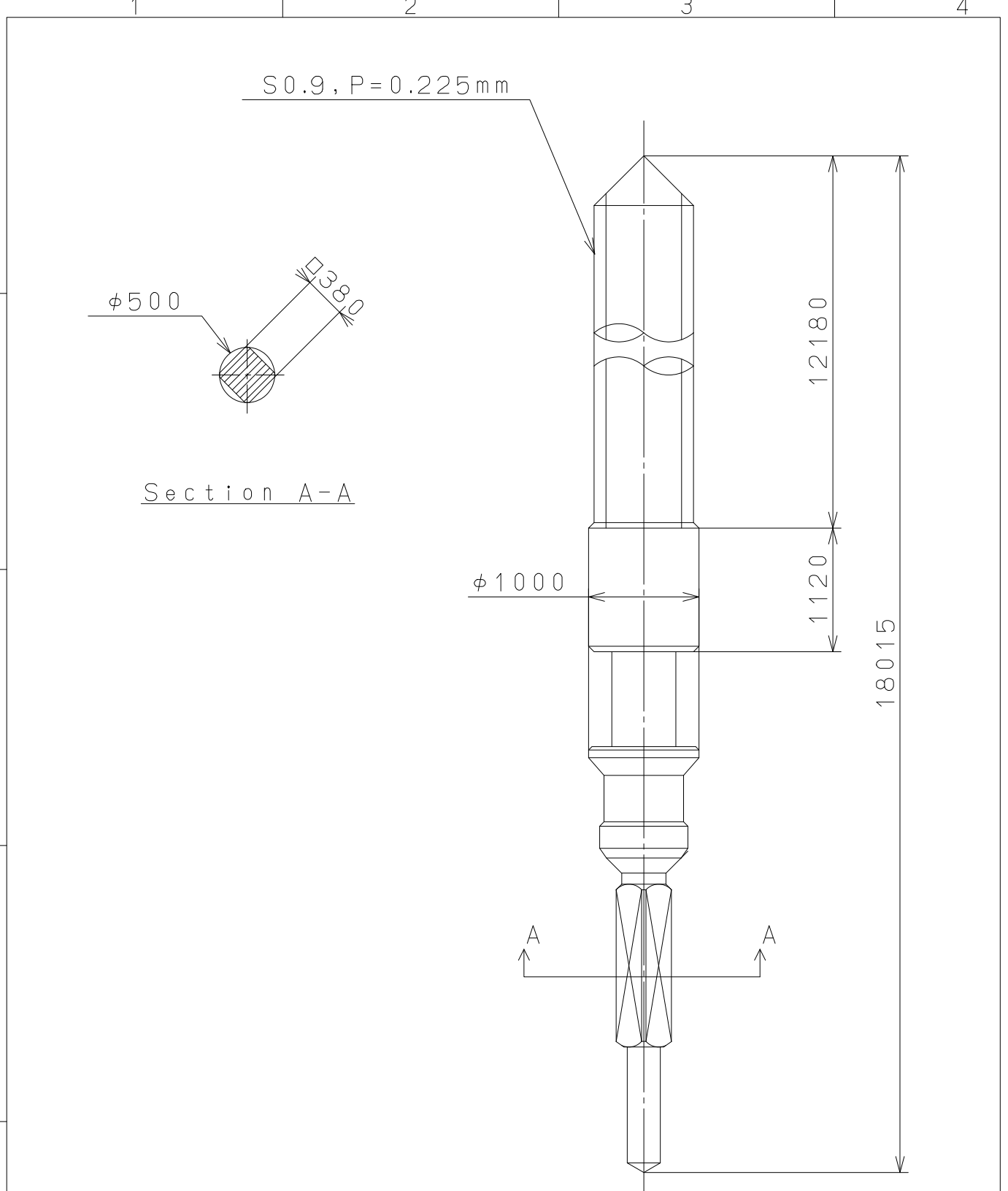


This drawing is provisional and subject to our reconfirmation and/or revision without notice.



△5			Quantity		Cal.NO.:
△4			Unit	1 / 1000 mm	
△3			Scale	20 : 1	Parts No.:
△2			Date		065-379
△1			Drawn		
Mark	Date	Description	Appro.	Checked	Name:
		Alterations	Approved	D. Yamada	SETTING STEM
Material					Drawing No.: 379000S0
Heat Treatment			General Tolerances	MIYOTA CITIZEN WATCH CO., LTD. TOKYO, JAPAN	
Hardness			Dimensions		
Plating			Angles		