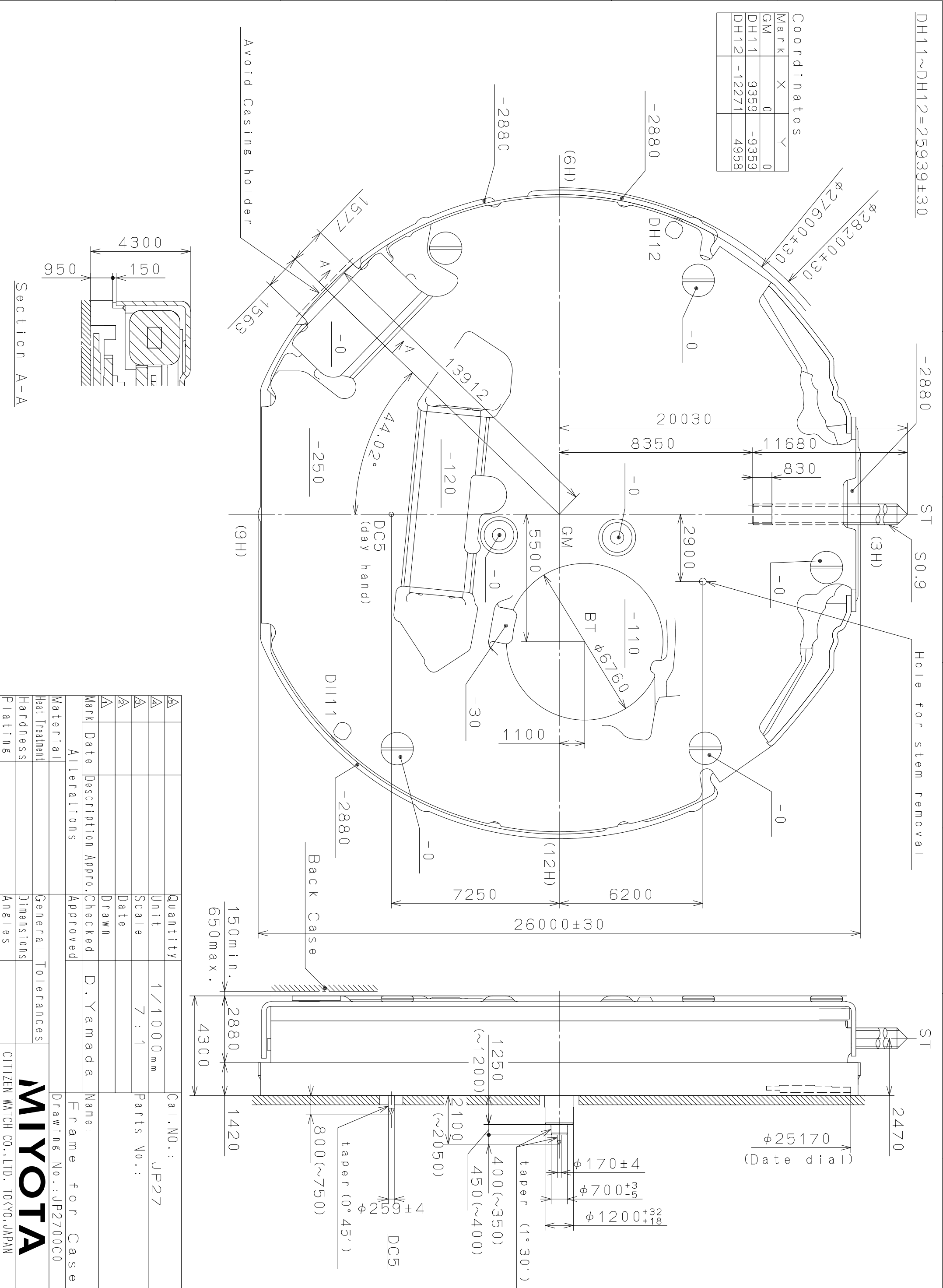


This drawing is provisional and subject to our reconfirmation and/or revision without notice.



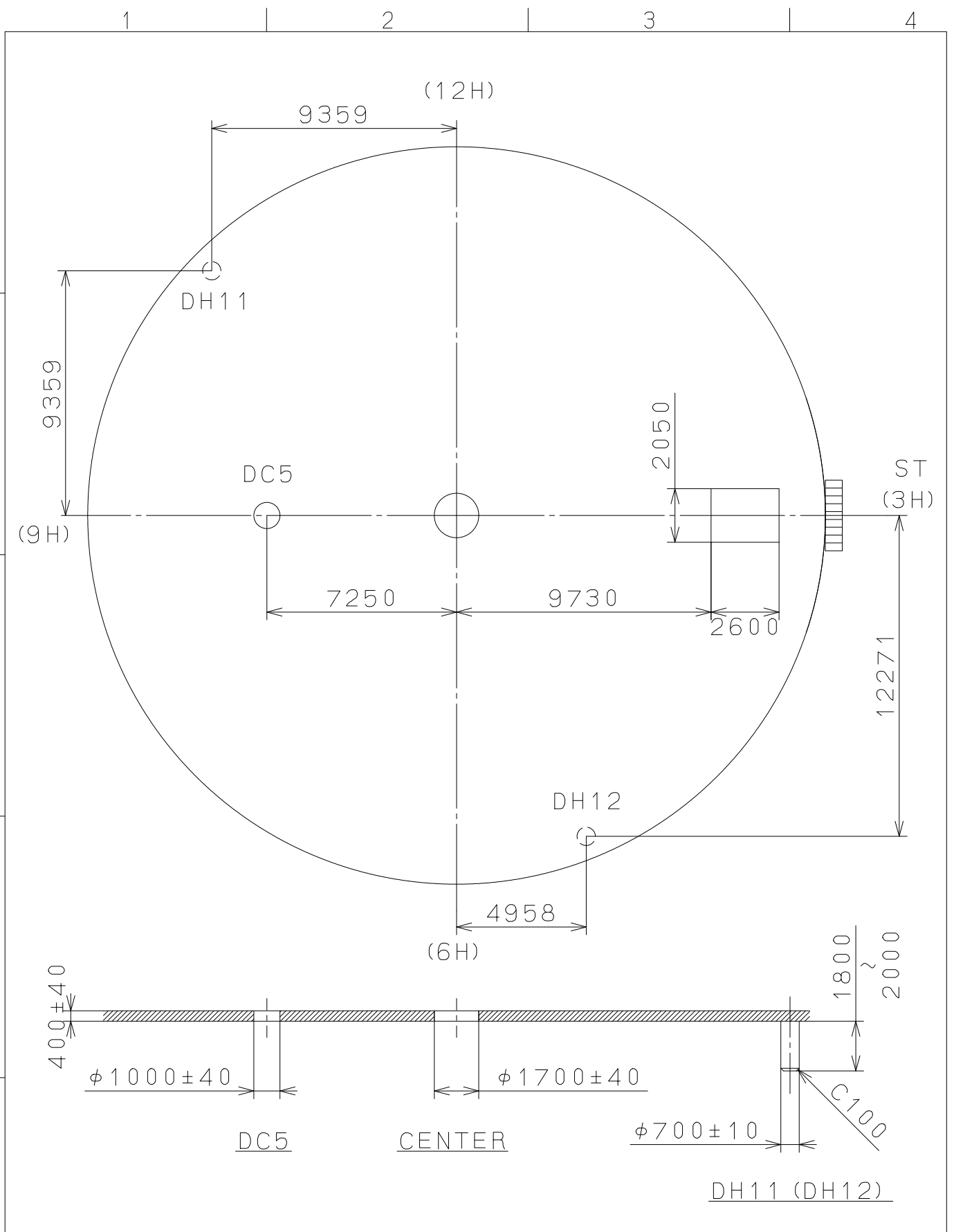
Coordinates		
Mark	X	Y
GM	0	0
DH11	9359	-9359
DH12	-12271	4958

△5	Quantity		Cal. NO.:	JP27
△4	Unit	1/1000 mm	Parts No.:	
△3	Scale	7:1	Name:	Frame for Case
△2	Date		Drawing No.:	JP2700C0
△1	Drawn			
Mark	Date	Description	Appro.	Checked
			D. Yamada	
Alterations		Approved		
Material				
Heat Treatment				
Hardness		General Tolerances		
Plating		Dimensions		
		Angles		

Section A-A

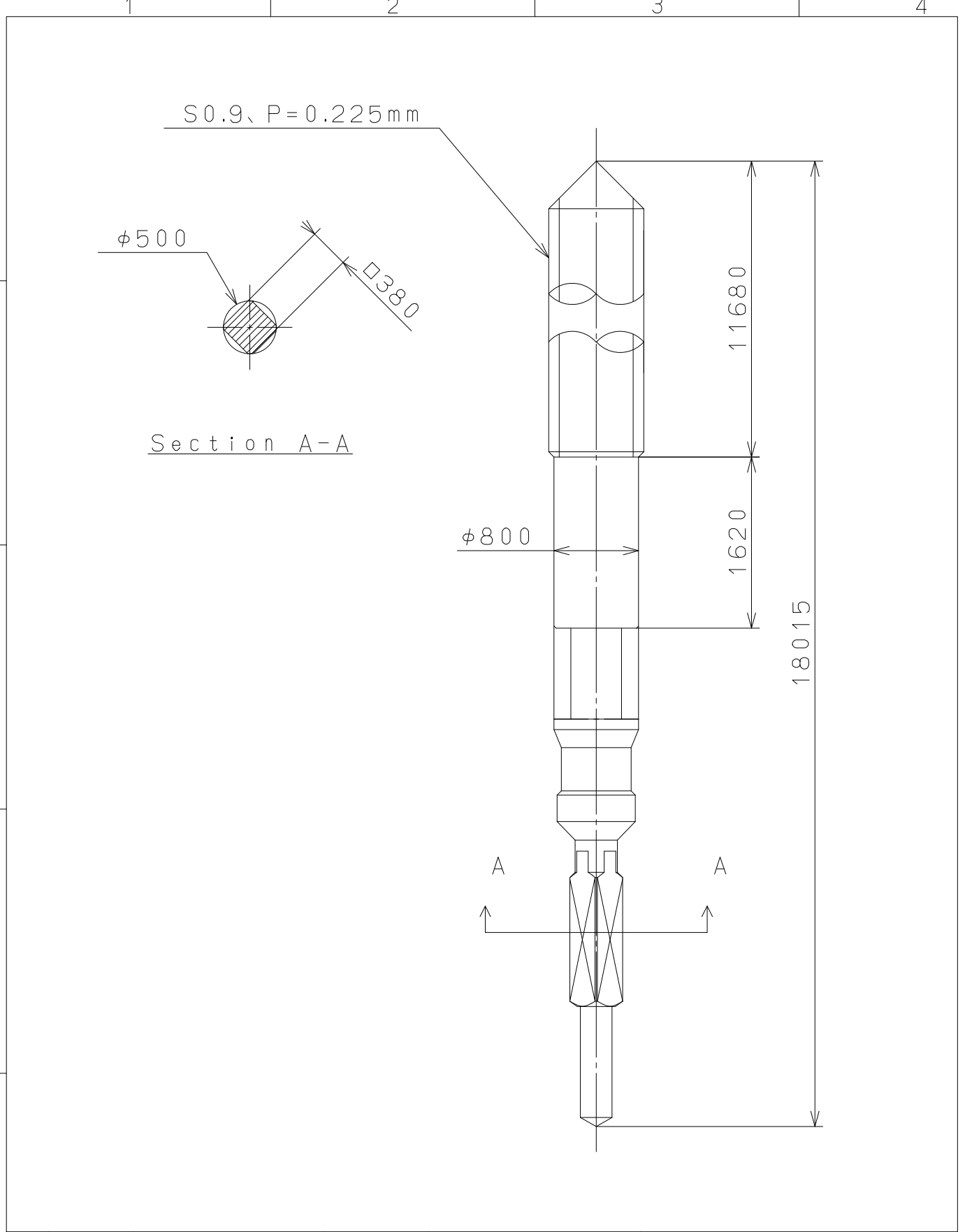
MIYOTA
CITIZEN WATCH CO., LTD. TOKYO, JAPAN

This drawing is provisional and subject to our reconfirmation and/or revision without notice.



△			Quantity		Cal.NO.:
△			Unit	1/1000mm	JP27-00C
△			Scale	5:1	Parts No.:
△			Date		
△			Drawn		
Mark	Date	Description	Appr.	Checked	Name:
		Alterations	Approved	D. Yamada	Indications for Dial
Material					Drawing No.: JP2700D0
Heat Treatment			General Tolerances		MIYOTA
Hardness			Dimensions		
Plating			Angles		
					CITIZEN WATCH CO., LTD. TOKYO, JAPAN

This drawing is provisional and subject to our reconfirmation and/or revision without notice.



⑤			Quantity		Cal.NO.:
④			Unit	1/1000mm	
③			Scale	20:1	Parts No.:
②			Date		065-505
①			Drawn		
Mark	Date	Description	Appro.	Checked	D.Yamada
Alterations			Approved	Name: SETTING STEM	
Material					Drawing No.: 505000S0
Heat Treatment					MIYOTA
Hardness					
Plating					
					CITIZEN WATCH CO.,LTD. TOKYO,JAPAN