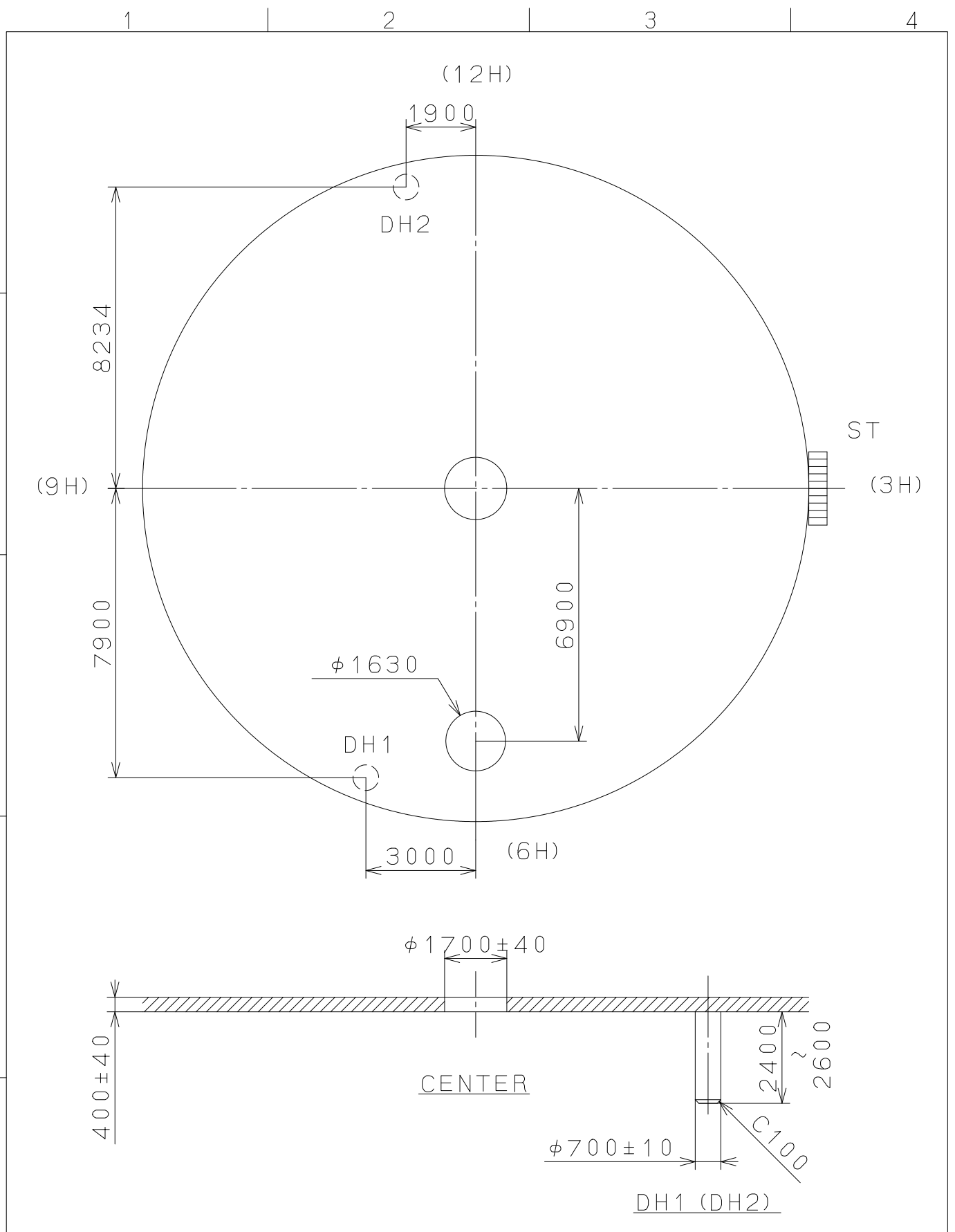


This drawing is provisional and subject to our reconfirmation and/or revision without notice.



△			Quantity		Cal.NO.:
△			Unit	1 / 1000 mm	2015-10Z
△			Scale	7 : 1	Parts No.:
△			Date		
△			Drawn		
Mark	Date	Description	Appr.	Checked	Name:
		Alterations		Approved	D. Yamada
Material					Indications for Dial
Heat Treatment					Drawing No.: 201501D0
Hardness				General Tolerances	MIYOTA
Plating				Dimensions	
				Angles	CITIZEN WATCH CO., LTD. TOKYO, JAPAN