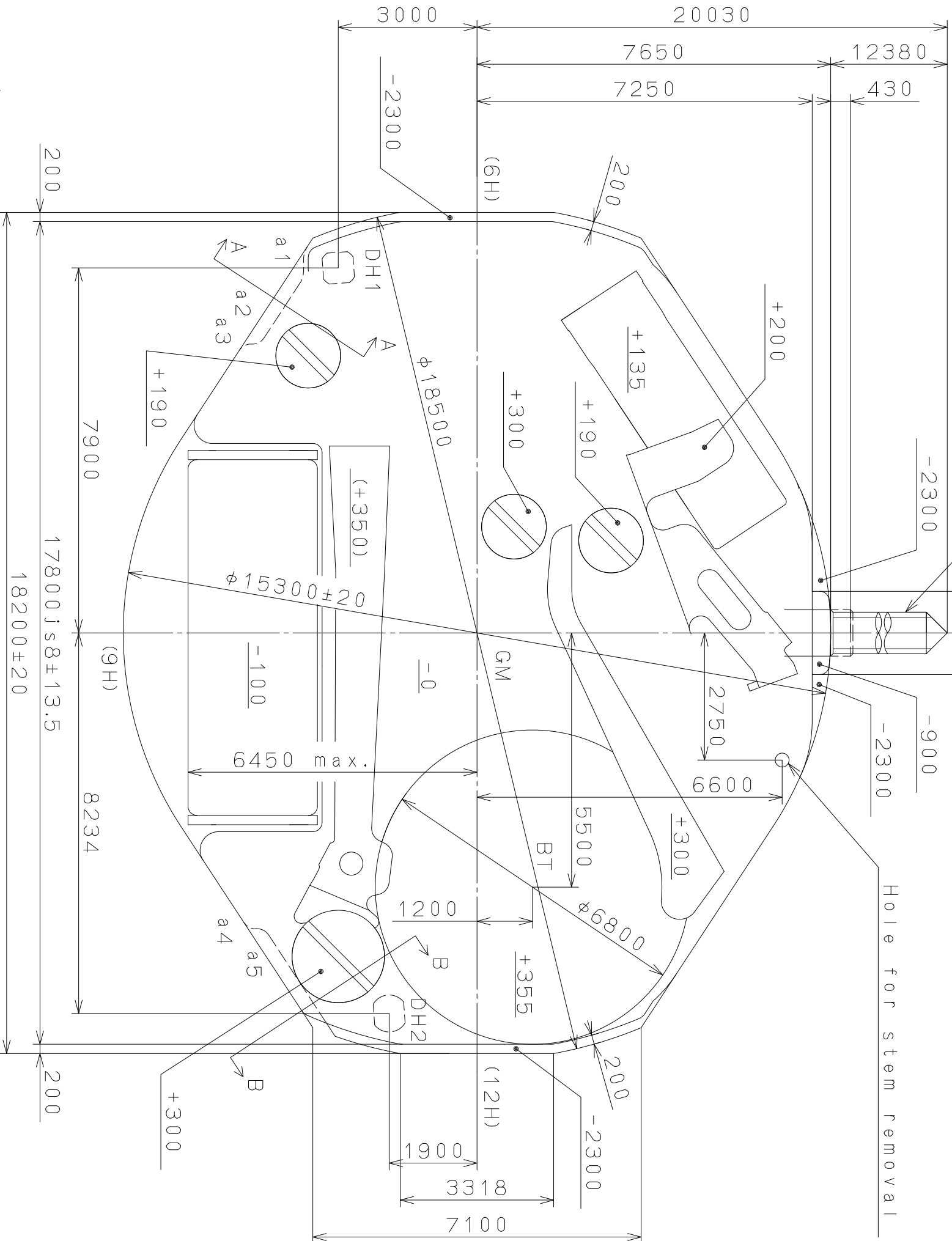


This drawing is provisional and subject to our reconfirmation and/or revision without notice.

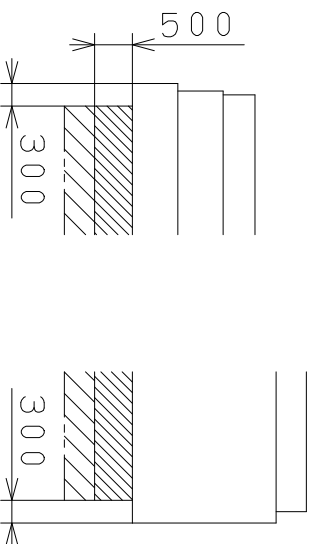
DH1~DH2=16171±20

ST (3H)



Coordinates

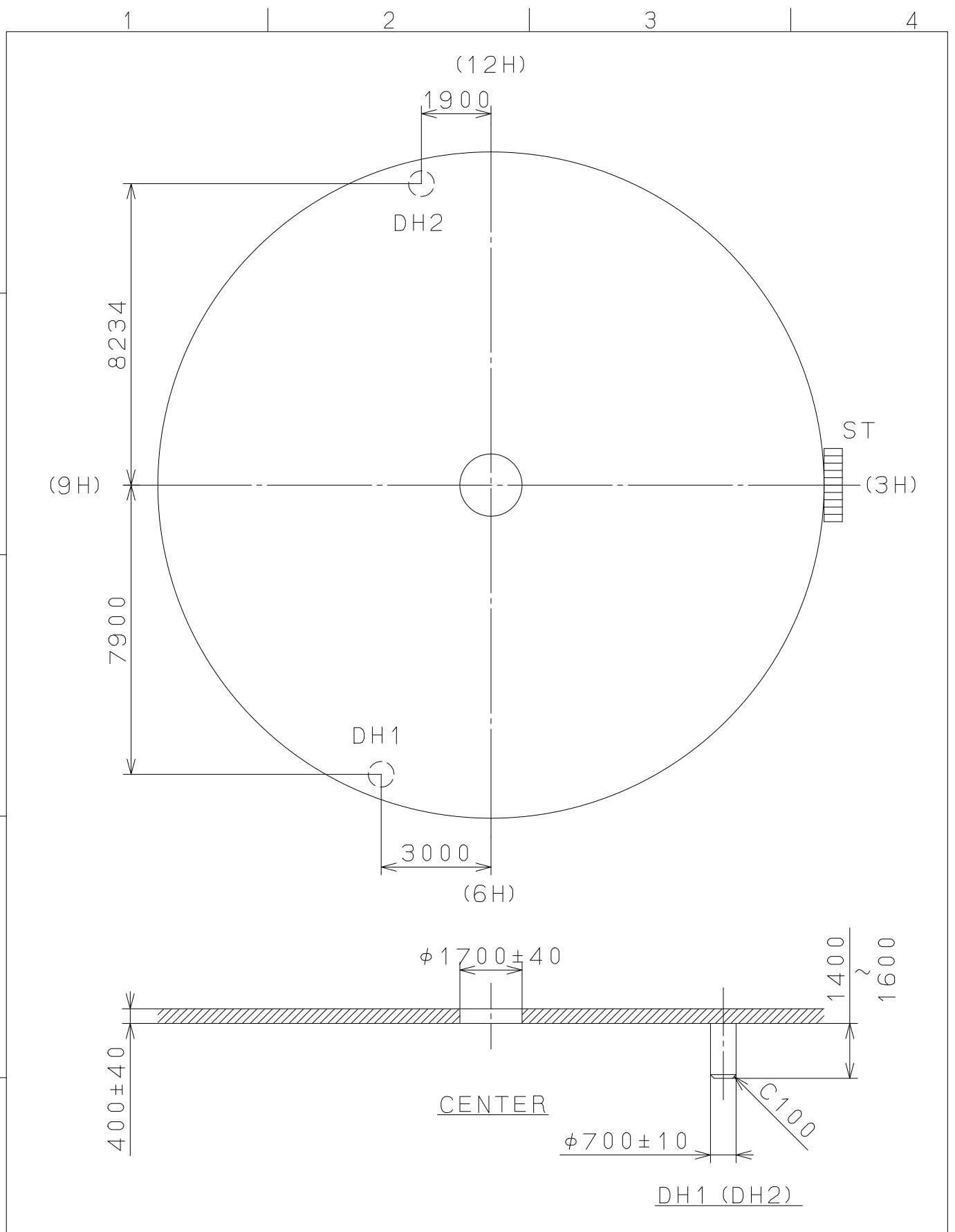
Mark	X	Y	R
GM	0	0	—
a1	-7838	-4250	500
a2	-6550	-4855	300
a3	-5951	-4888	300
a4	6101	-4790	300
a5	6700	-4756	300



Section A-A Section B-B

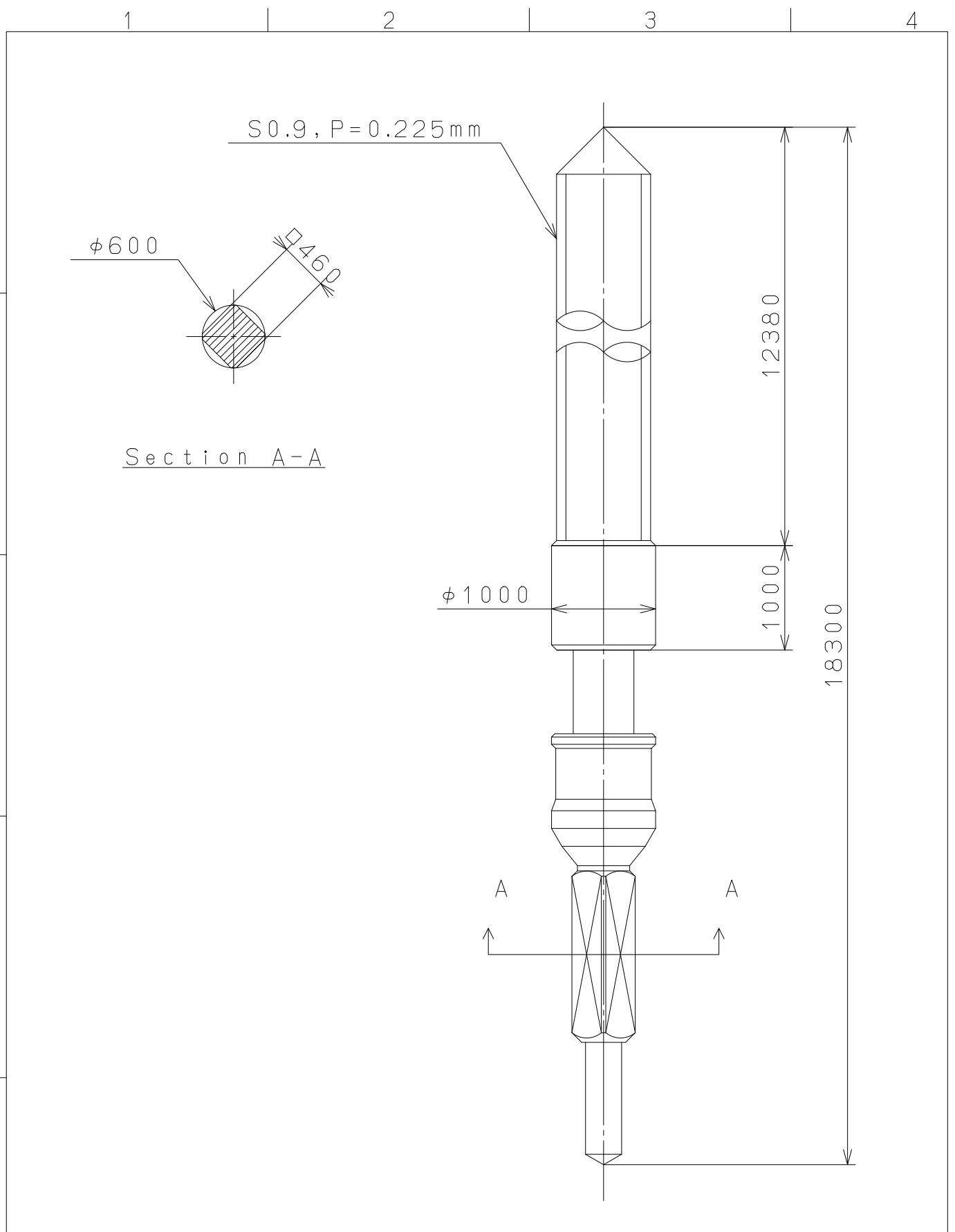
△	Quantity	Cal. NO.:	2025
△	Unit	Unit	1/1000 mm
△	Scale	Scale	10:1
△	Date	Date	
△	Drawn	Drawn	
△	Checked	Checked	D. Yamada
△	Approved	Approved	
Material		General Tolerances	
Heat Treatment		Dimensions	
Hardness		Angles	
Plating		Name:	
		Frame for Case	
		Drawing No.: 202500C0	
		MIYOTA	
		CITIZEN WATCH CO., LTD. TOKYO, JAPAN	

This drawing is provisional and subject to our reconfirmation and/or revision without notice.



△			Quantity		Cal.NO.:
△			Unit	1 / 1000 mm	2025-00A
△			Scale	7 : 1	Parts No.:
△			Date		
△			Drawn		
Mark	Date	Description	Appr.	Checked	Name:
		Alterations	Approved	D. Yamada	Indications for Dial
Material					Drawing No.: 202500D0
Heat Treatment			General Tolerances		<b>MIYOTA</b>
Hardness			Dimensions		
Plating			Angles		
					CITIZEN WATCH CO., LTD. TOKYO, JAPAN

This drawing is provisional and subject to our reconfirmation and/or revision without notice.



△5			Quantity		Cal.NO.:
△4			Unit	1 / 1000 mm	
△3			Scale	20 : 1	Parts No.:
△2			Date		065-299
△1			Drawn		
Mark	Date	Description	Appr.	Checked	D. Yamada
Alterations			Approved	Name:	
			SETTING STEM		
Material					Drawing No.: 299000S0
Heat Treatment					<b>MIYOTA</b> CITIZEN WATCH CO., LTD. TOKYO, JAPAN
Hardness					
Plating					