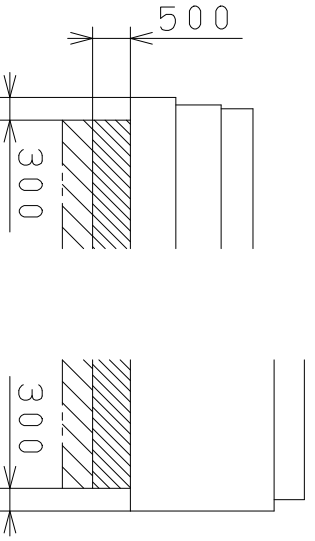


Coordinates

Mark	X	Y	R
GM	0	0	—
a1	-7838	-4250	500
a2	-6550	-4855	300
a3	-5951	-4888	300
a4	6101	-4790	300
a5	6700	-4756	300

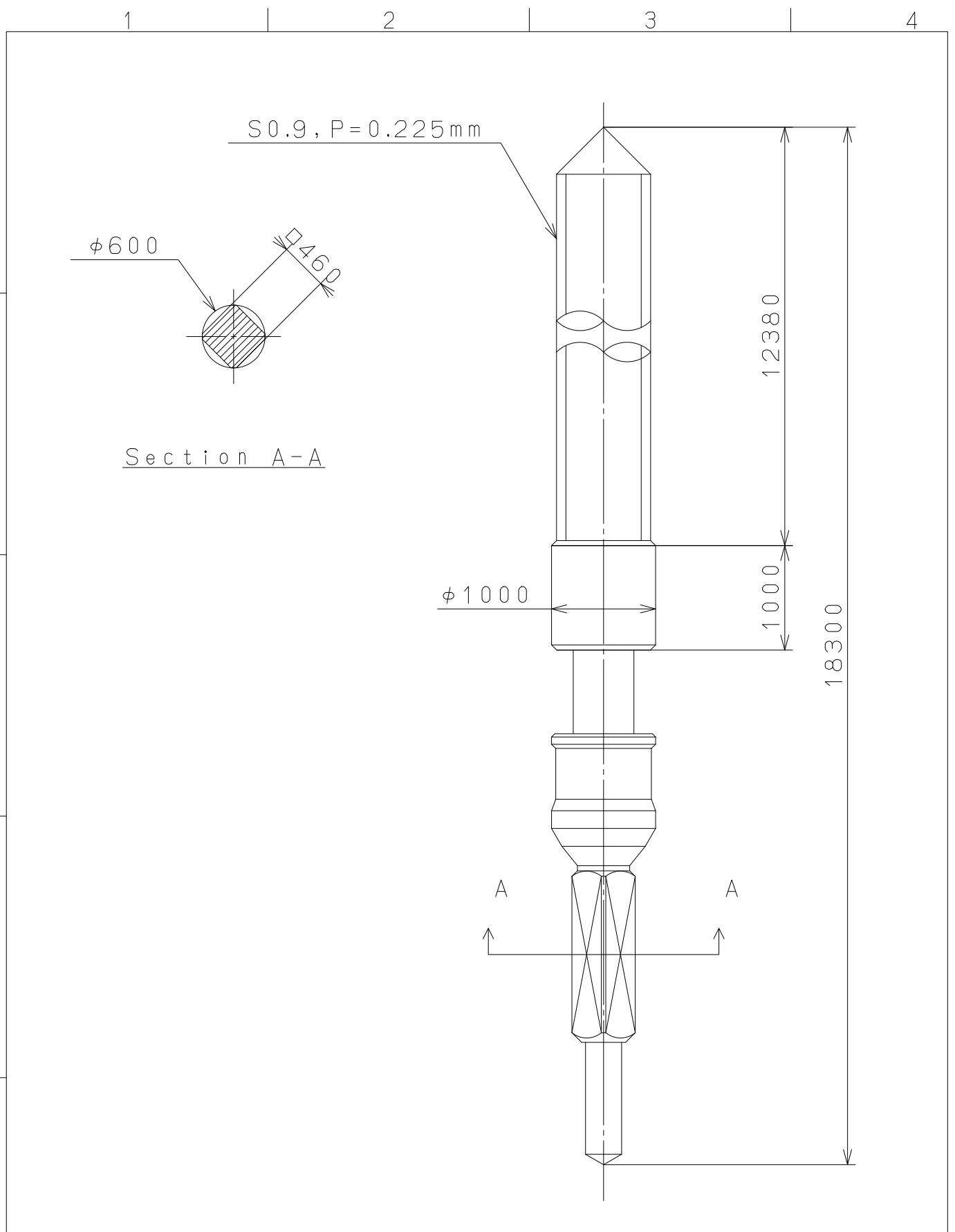


Section A-A Section B-B

△	Quantity		Cal. NO.:	203A
△	Unit	1/1000 mm	Parts No.:	
△	Scale	10:1	Name:	Frame for Case
△	Date		Drawing No.:	203A00C0
△	Drawn			
△	Checked	D. Yamada		
△	Approved			
△	Alterations			
△	Material			
△	Heat Treatment			
△	Hardness			
△	Plating			
	General Tolerances			
	Dimensions			
	Angles			

MIYOTA
CITIZEN WATCH CO., LTD. TOKYO, JAPAN

This drawing is provisional and subject to our reconfirmation and/or revision without notice.



△5			Quantity		Cal.NO.:
△4			Unit	1 / 1000 mm	
△3			Scale	20 : 1	Parts No.:
△2			Date		065-299
△1			Drawn		
Mark	Date	Description	Appro.	Checked	D. Yamada
Alterations			Approved	Name:	
			SETTING STEM		
Material					Drawing No.: 299000S0
Heat Treatment					MIYOTA CITIZEN WATCH CO., LTD. TOKYO, JAPAN
Hardness	General Tolerances				
Plating	Dimensions				
	Angles				