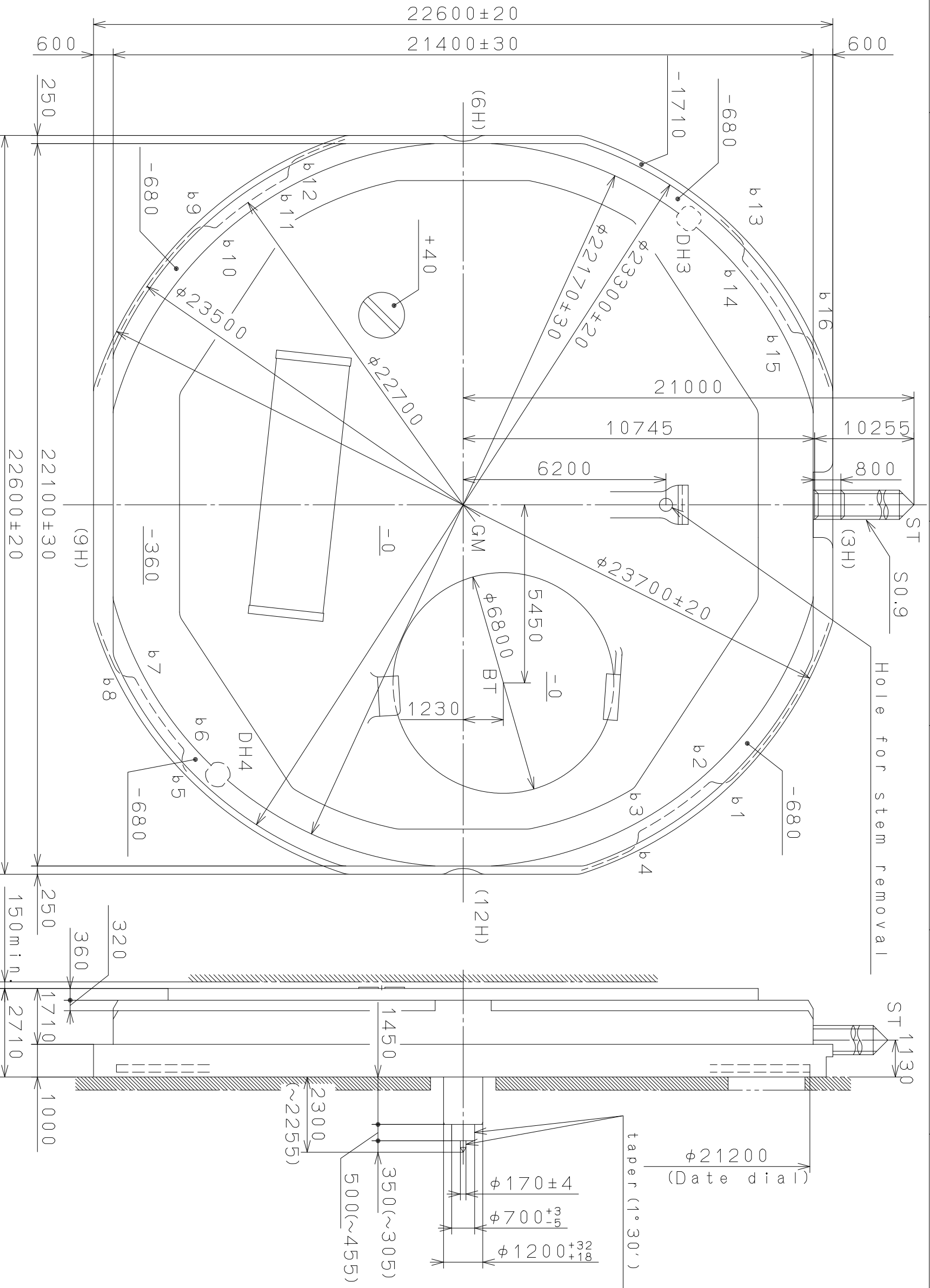
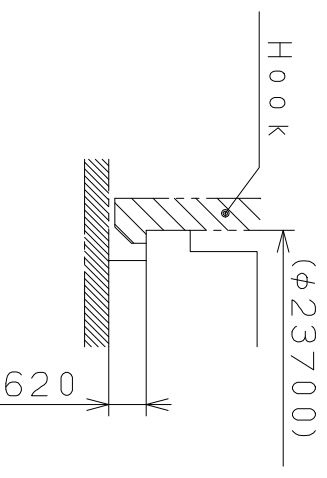


This drawing is provisional and subject to our reconfirmation and/or revision without notice.

DH3~DH4=22287±20

Coordinates			
Mark	X	Y	R
GM	0	0	—
DH3	-8759	6900	—
DH4	8251	-7500	—
b1	7996	7871	530
b2	8624	7608	150
b3	10099	5501	150
b4	10131	4822	530
b5	7803	-8063	530
b6	7535	-8688	150
b7	5416	-10145	150
b8	4736	-10171	530
b9	-7996	-7871	530
b10	-8624	-7608	150
b11	-10099	-5501	150
b12	-10131	-4822	530
b13	-7803	8063	530
b14	-7535	8688	150
b15	-5416	10145	150
b16	-4736	10171	530



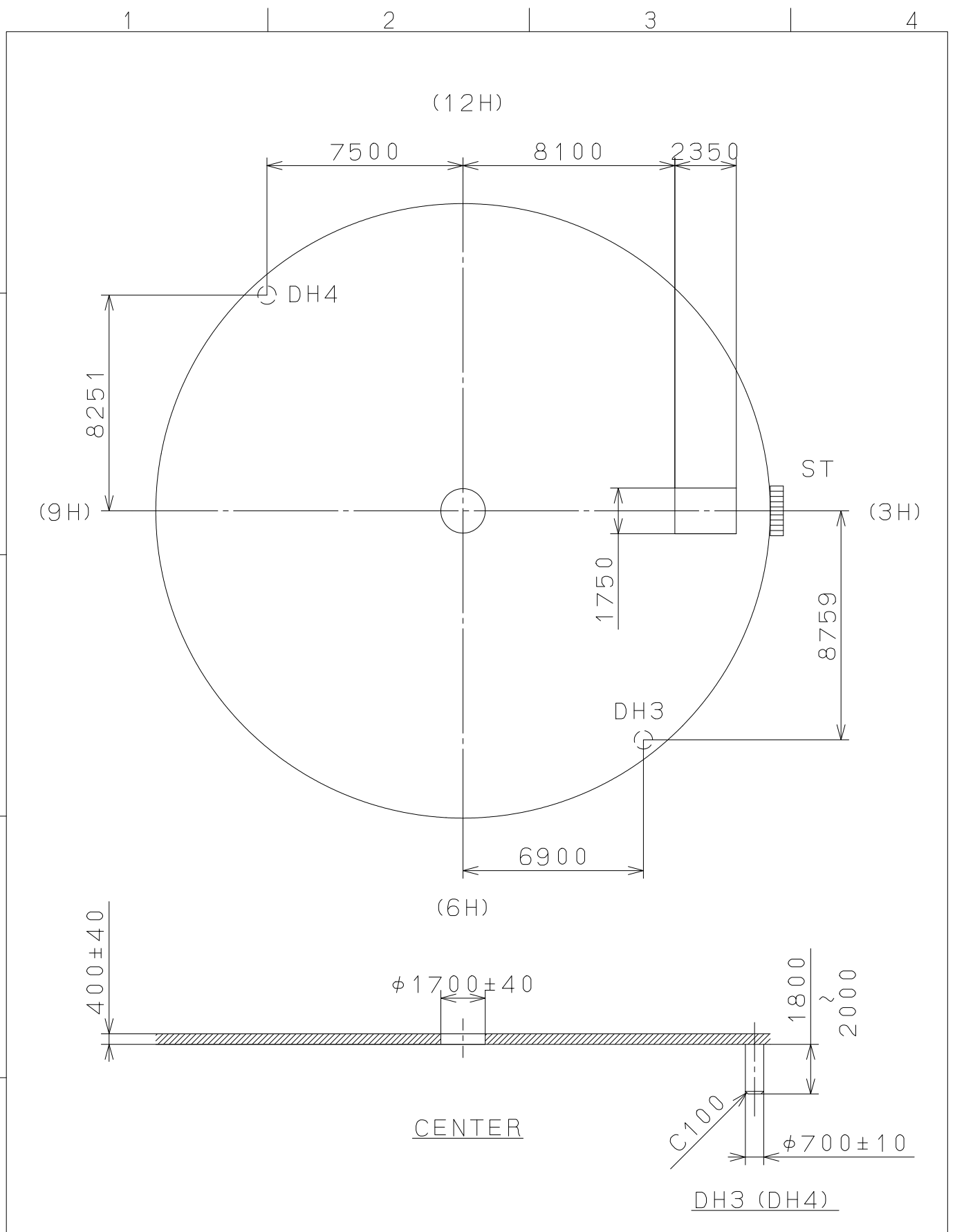
Section b1~b16

△	Quantity	1/1000 mm	Cal. NO.:	GM14
△	Unit	8 : 1	Parts No.:	
△	Scale		Name:	Frame for Case
△	Date		Drawing No.:	GM1400C1
△	Date			
△	Drawn			
△	Checked			
△	Approved			
△	Alterations			
△	Date			
△	Description			
△	Appro.			
△	Material			
△	Heat Treatment			
△	Hardness			
△	Plating			
	General Tolerances			
	Dimensions			
	Angles			

**MIYOTA**  
CITIZEN WATCH CO., LTD. TOKYO, JAPAN

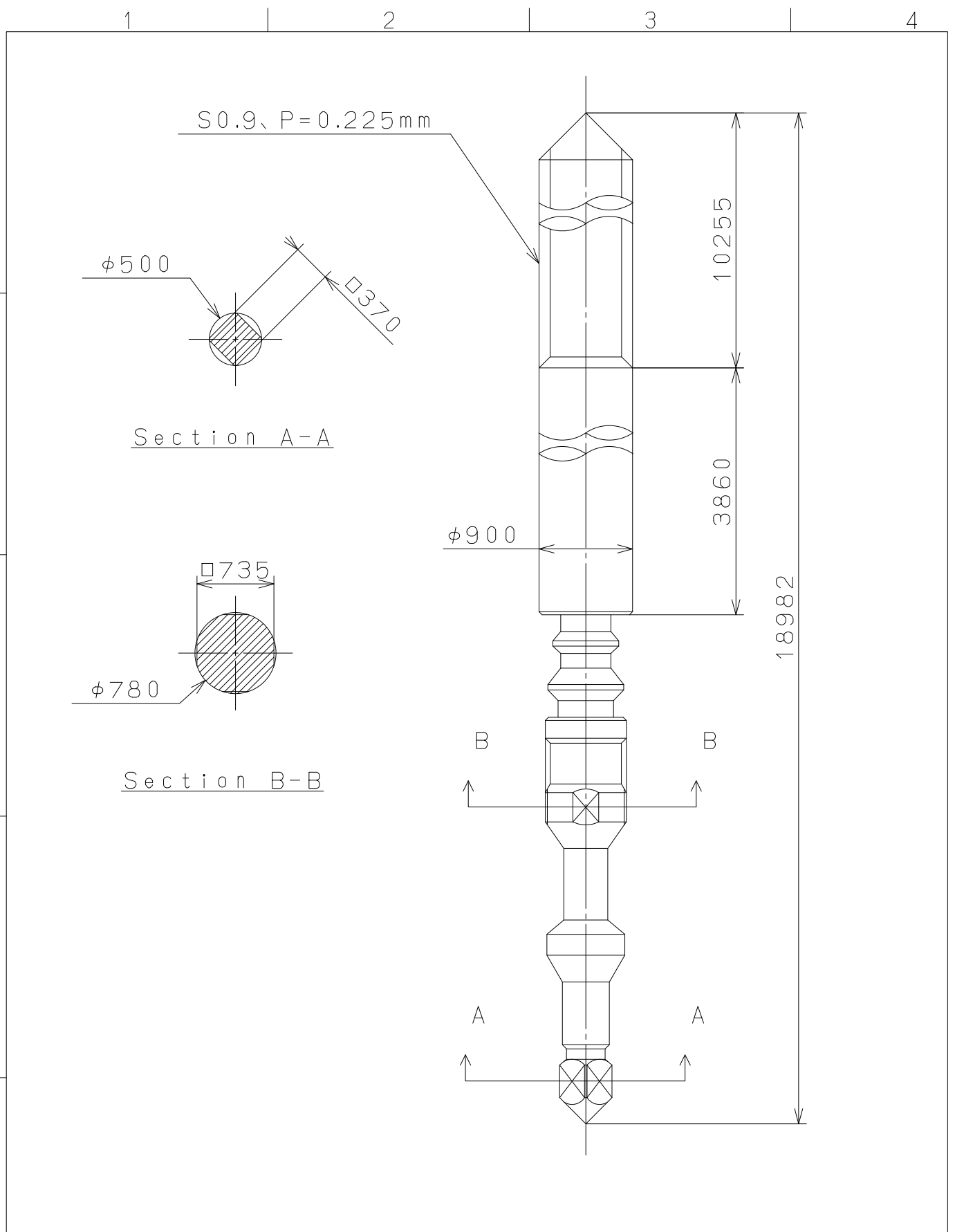
CONFIDENTIAL 2023/03/22 (16:10:23)

This drawing is provisional and subject to our reconfirmation and/or revision without notice.



△			Quantity		Cal.NO.:
△			Unit	1 / 1000 mm	GM14-10A
△			Scale	5 : 1	Parts No.:
△			Date		
△			Drawn		
Mark	Date	Description	Appro.	Checked	Name:
		Alterations	Approved	D. Yamada	Indications for Dial
Material					Drawing No.: GM1400D0
Heat Treatment			General Tolerances		<b>MIYOTA</b>
Hardness			Dimensions		
Plating			Angles		
					CITIZEN WATCH CO., LTD. TOKYO, JAPAN

This drawing is provisional and subject to our reconfirmation and/or revision without notice.



△			Quantity		Cal.NO.:
△			Unit	1 / 1000 mm	
△			Scale	20 : 1	Parts No.:
△			Date		065-543
△			Drawn		
Mark	Date	Description	Appro.	Checked	D. Yamada
Alterations			Approved	Name:	
			SETTING STEM		
Material					Drawing No.: 543000S1
Heat Treatment					<b>MIYOTA</b> CITIZEN WATCH CO., LTD. TOKYO, JAPAN
Hardness	General Tolerances				
Plating	Dimensions				
	Angles				