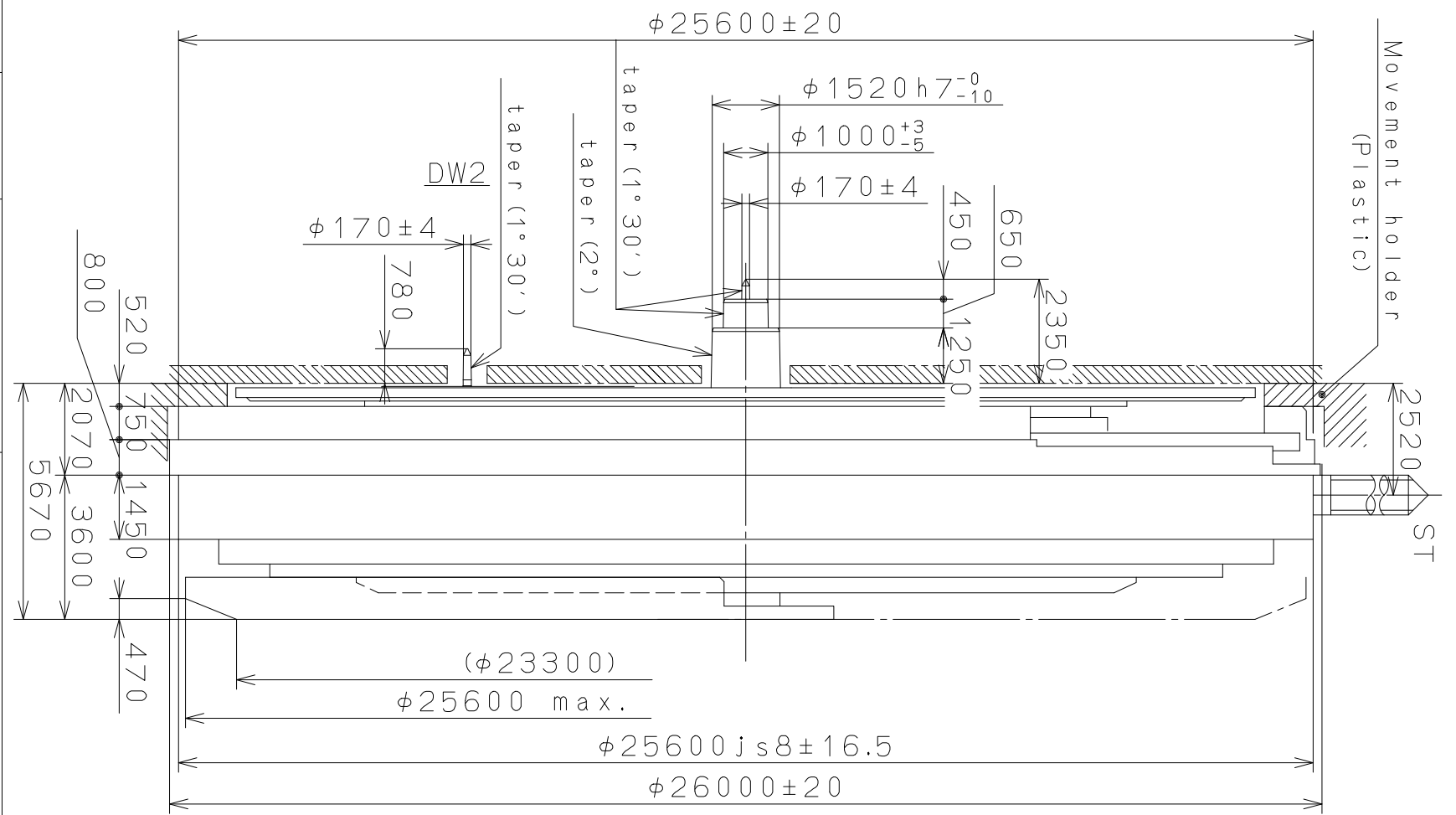
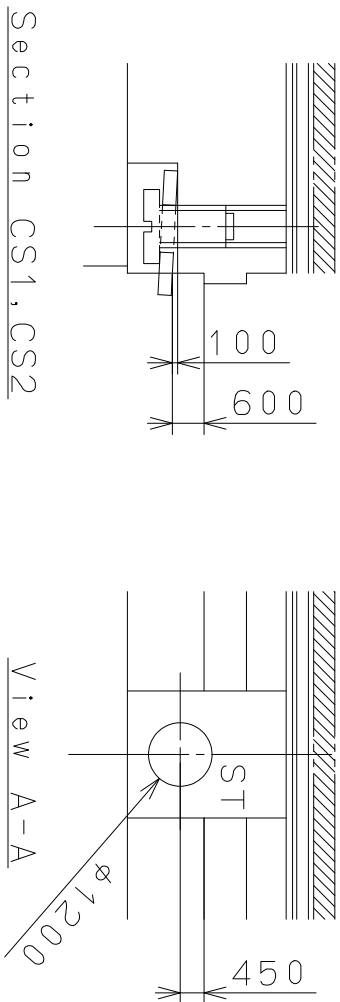
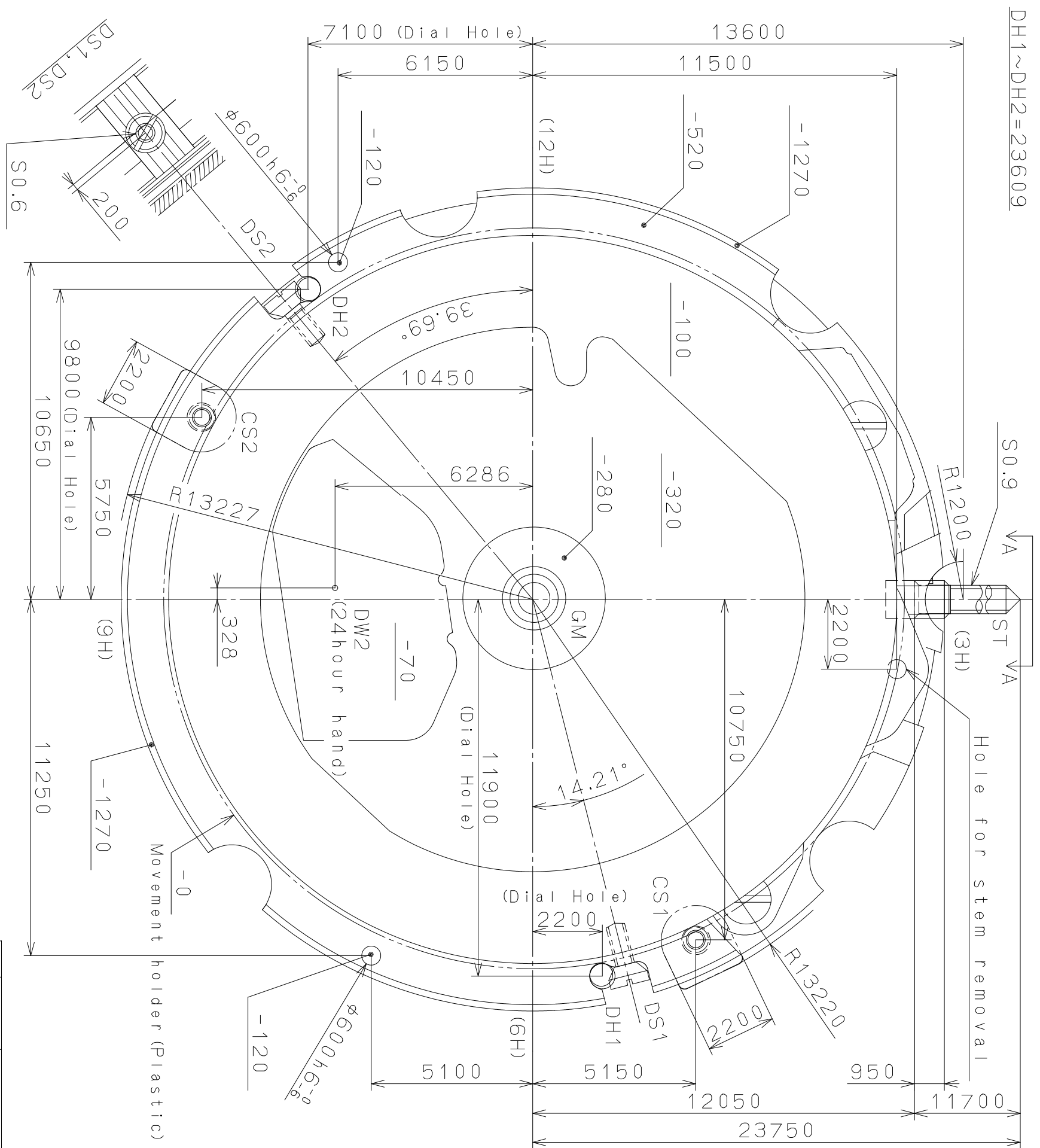
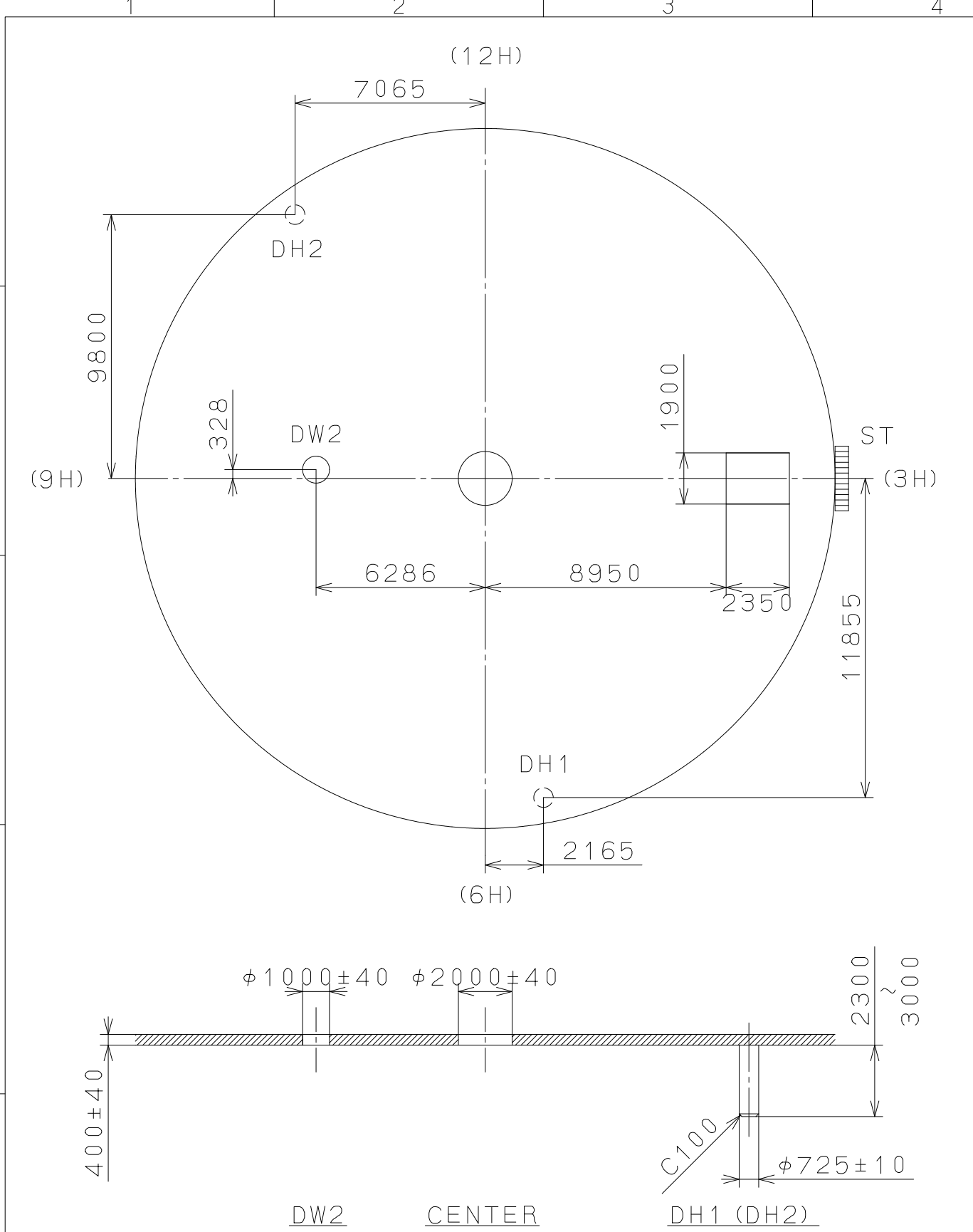


This drawing is provisional and subject to our reconfirmation and/or revision without notice.



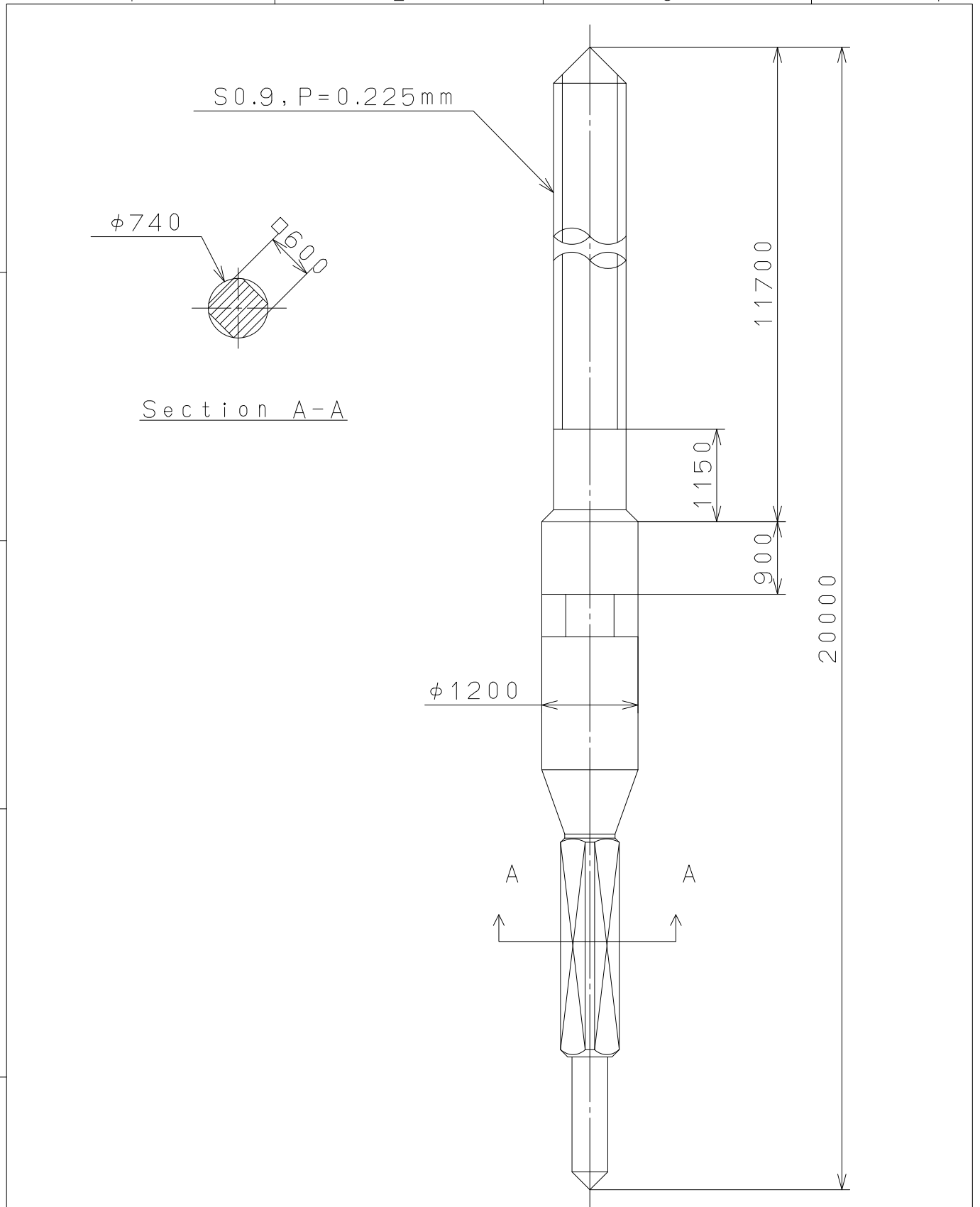
Material	Alterations	Quantity	Unit	Cal. NO.:
Heat Treatment	Date	1 / 1000	mm	82117
Hardness	Description	Scale	7 : 1	Parts No.:
Plating	Checked	Drawn		
	Approved	D. Yamada		Name:
				Frame for Case
				Drawing No.: 821700C1
				Miyota
				CITIZEN WATCH CO., LTD. TOKYO, JAPAN

This drawing is provisional and subject to our reconfirmation and/or revision without notice.

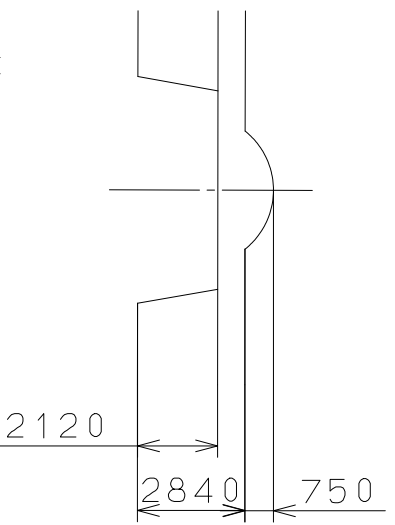
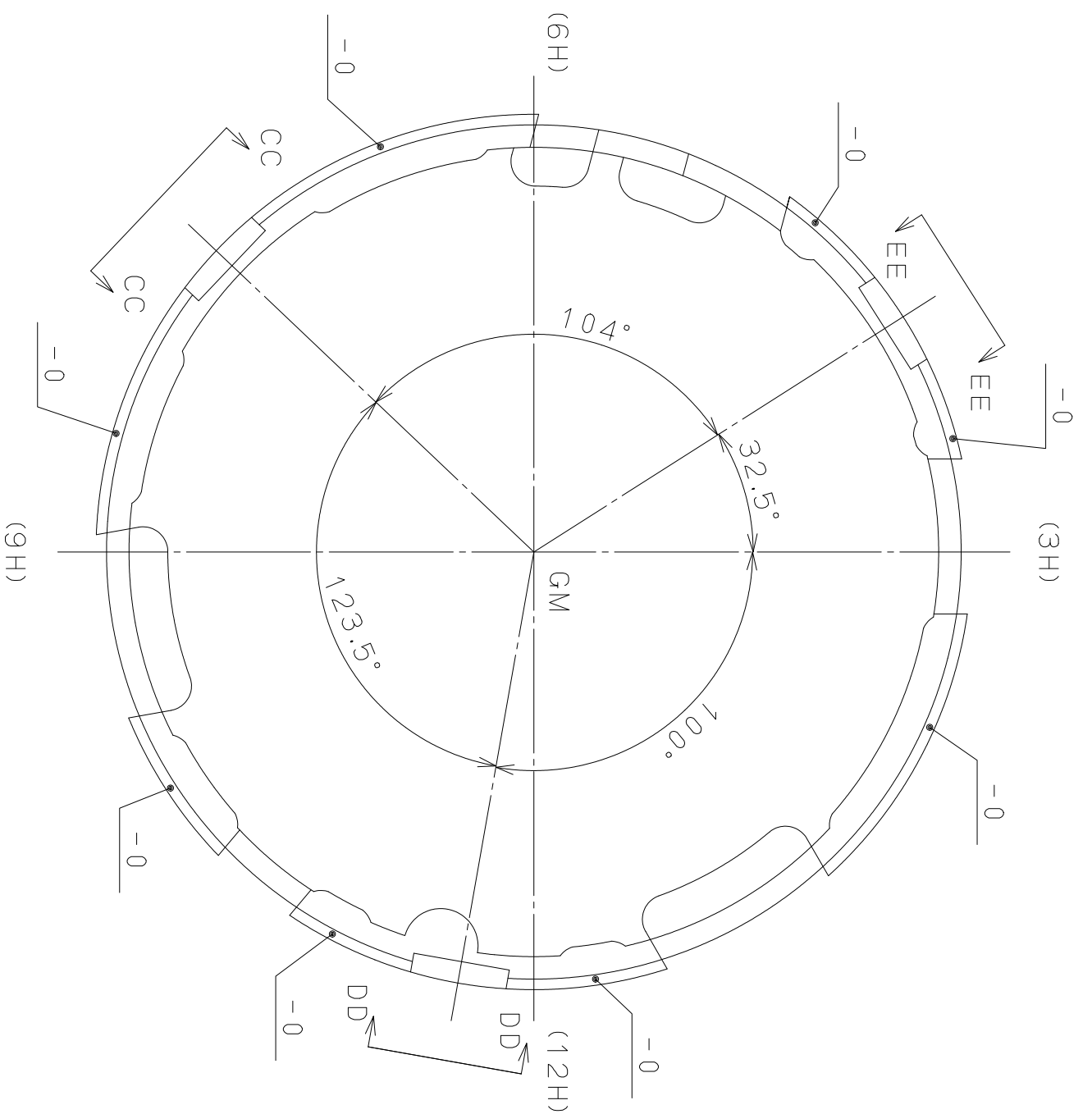
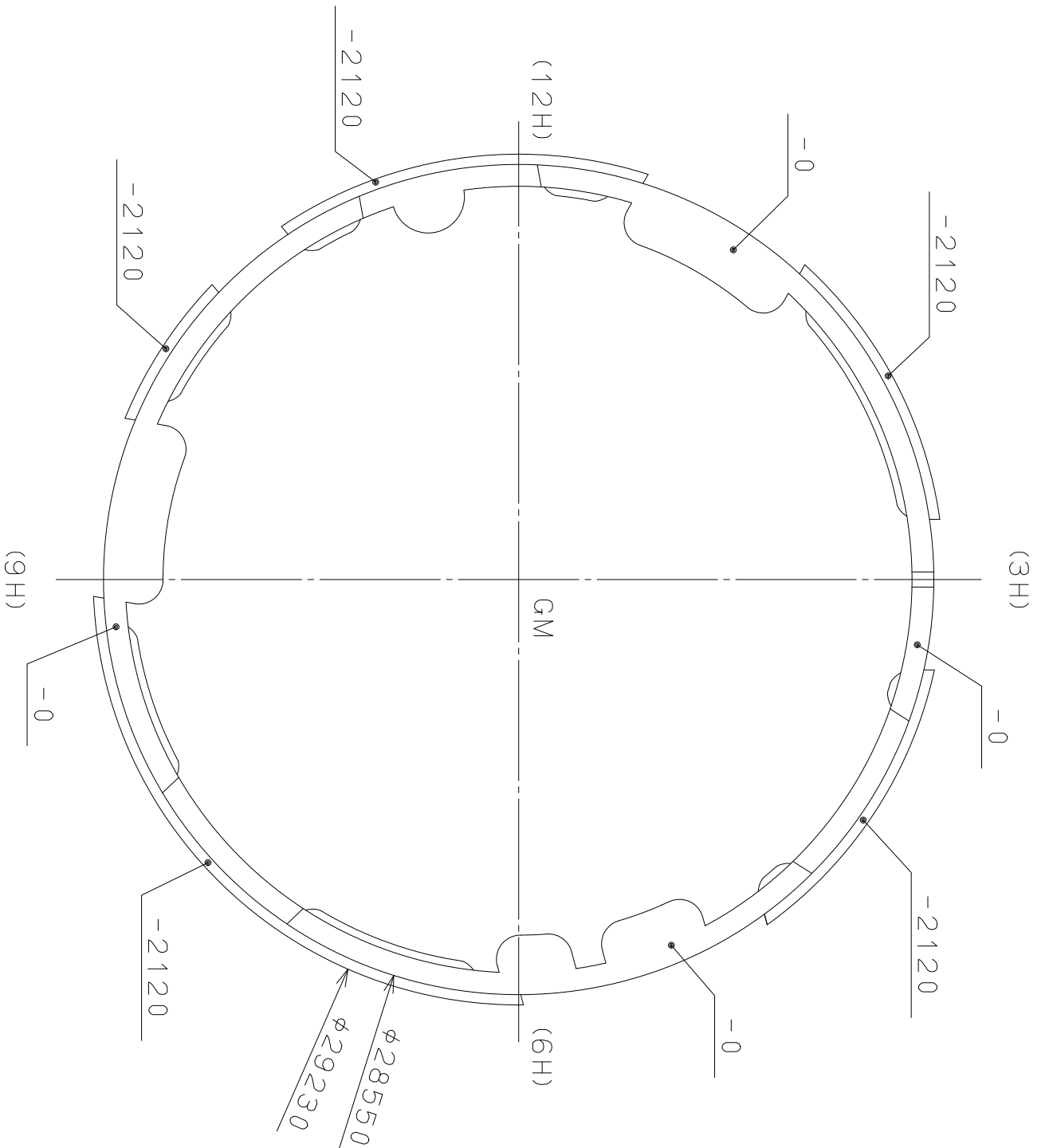


△			Quantity		Cal.NO.:
△			Unit	1 / 1000 mm	8217-43A
△			Scale	5 : 1	Parts No.:
△			Date		
△			Drawn		
Mark	Date	Description	Appro.	Checked	Name:
		Alterations	Approved	D. Yamada	Indications for Dial
Material					Drawing No.: 821700D0
Heat Treatment				General Tolerances	<b>MIYOTA</b>
Hardness				Dimensions	
Plating				Angles	
					CITIZEN WATCH CO., LTD. TOKYO, JAPAN

This drawing is provisional and subject to our reconfirmation and/or revision without notice.



△5			Quantity		Cal.NO.:
△4			Unit	1/1000mm	
△3			Scale	15:1	Parts No.:
△2			Date		065-212
△1			Drawn		Name:
Mark	Date	Description	Appr.	Checked	D. Yamada
Alterations			Approved	SETTING STEM	
Material					Drawing No.: 212000S0
Heat Treatment					<b>MIYOTA</b> CITIZEN WATCH CO., LTD. TOKYO, JAPAN
Hardness	General Tolerances				
Plating	Dimensions				
	Angles				



View CC-CC  
DD-DD, EE-EE

△	Quantity	1/1000 mm	Cal. NO.:
△	Unit	5 : 1	Parts No.:
△	Scale	500-710	
△	Date		
△	Date		
△	Drawn		
Mark	Date	Description	Appr. Checked
Alterations	Approved	D. Yamada	Name:
Material			Casing Holder
Heat Treatment			Drawing No.: 820500E0
Hardness			
Plating			
	General Tolerances		
	Dimensions		
	Angles		

**MIYOTA**

CITIZEN WATCH CO., LTD. TOKYO, JAPAN