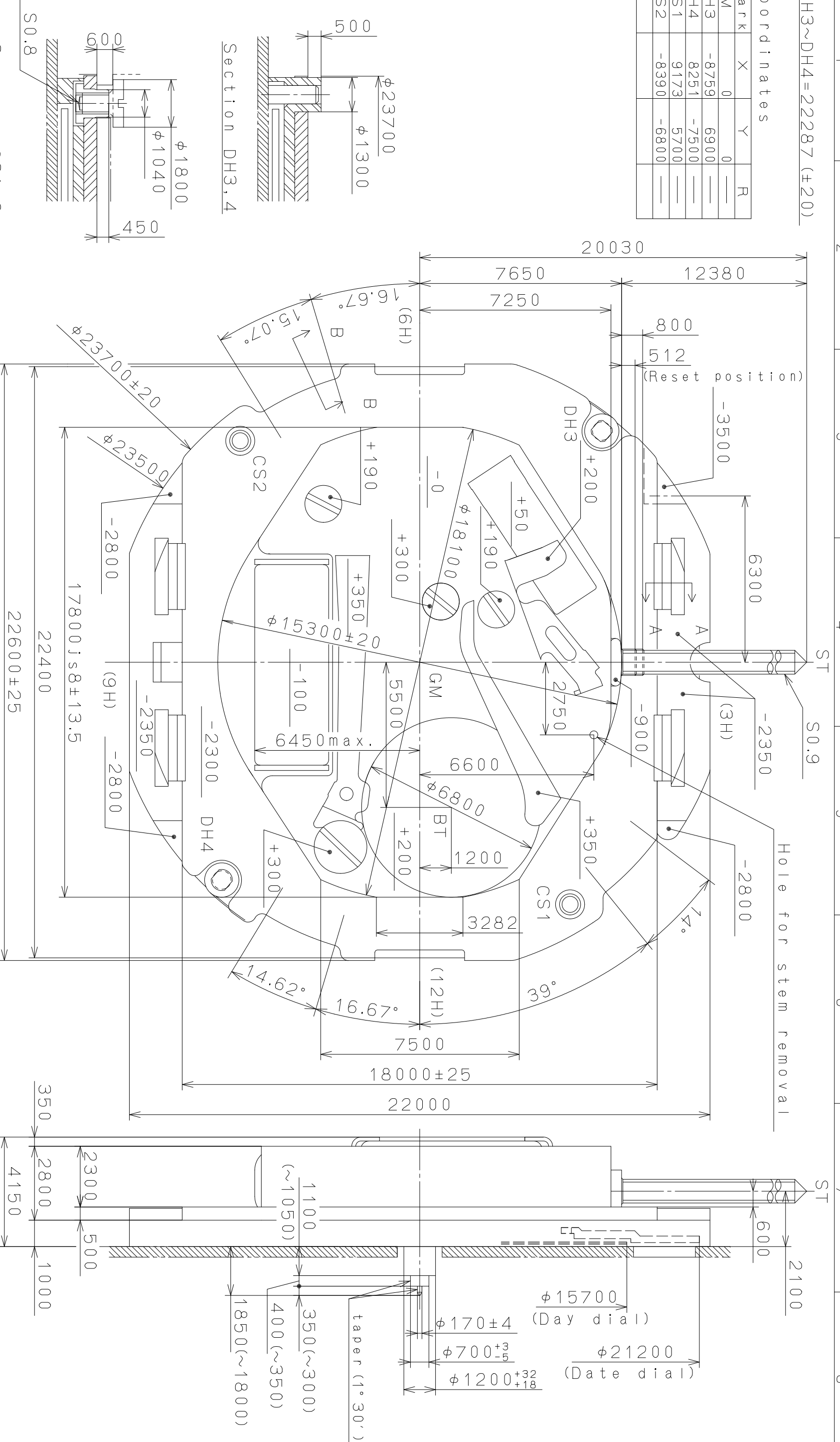


This drawing is provisional and subject to our reconfirmation and/or revision without notice.

DH3~DH4=222287 (±20)

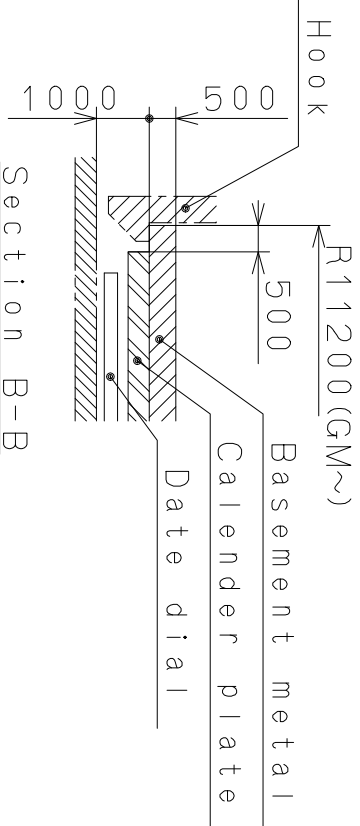
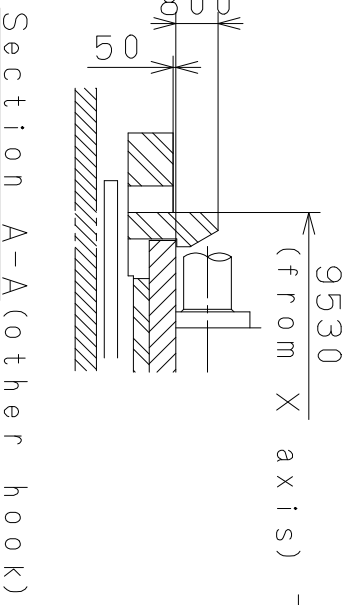
Coordinates

| Mark | X | Y | R |
|------|-------|-------|---|
| GM | 0 | 0 | — |
| DH3 | -8759 | 6900 | — |
| DH4 | 8251 | -7500 | — |
| CS1 | 9173 | 5700 | — |
| CS2 | -8390 | -6800 | — |



Section CS1,2

Section DH3,4

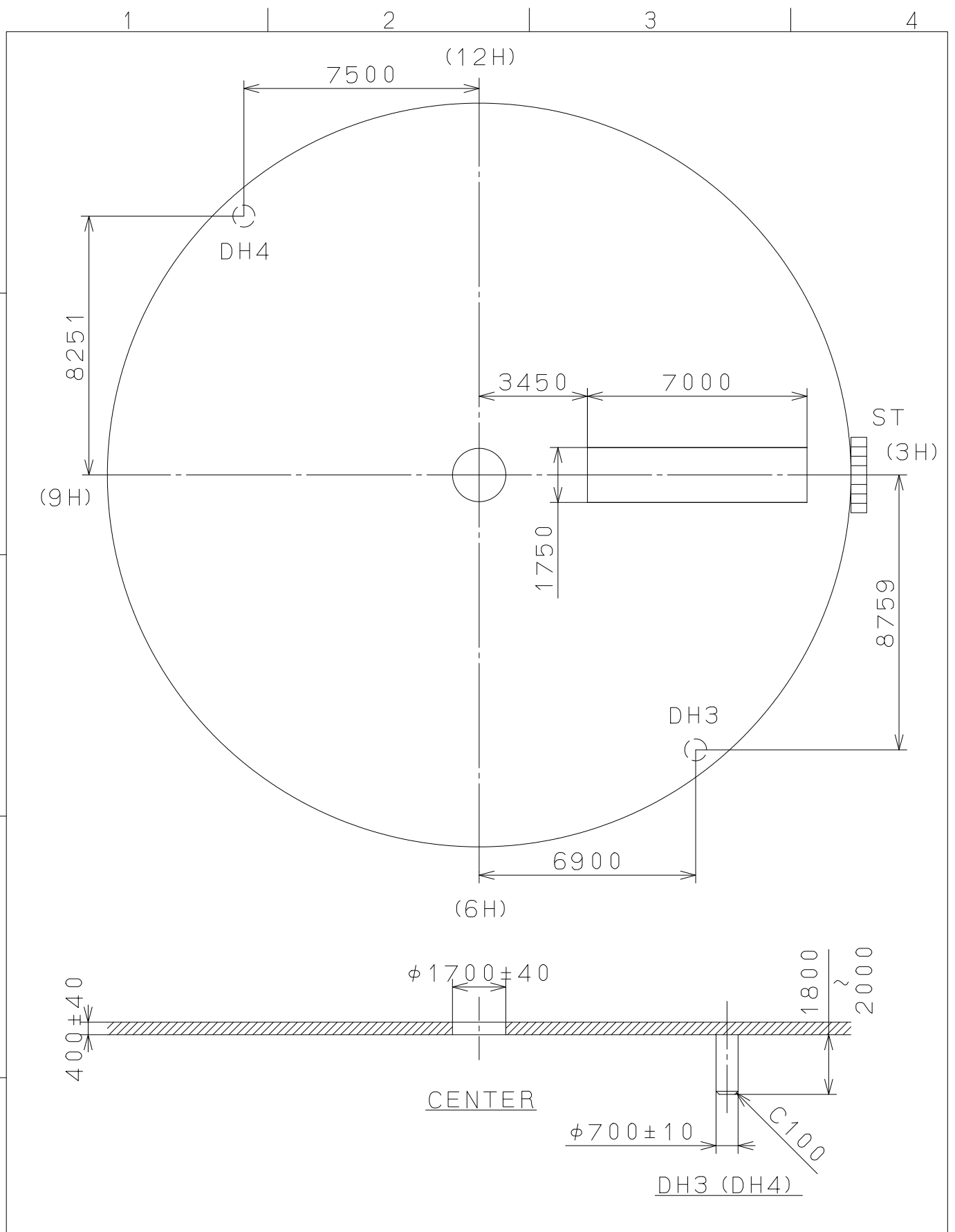


| Mark | Date | Description | Appr. | Checked | Drawn | Name |
|------|------|----------------|-------|---------|-------|-----------------------|
| △ | | Alterations | | | | M. Kobayashi |
| △ | | Material | | | | Frame for Case |
| △ | | Heat Treatment | | | | Drawing No.: 2105C000 |
| △ | | Hardness | | | | |
| △ | | Plating | | | | |

| Quantity | Unit | Cal. NO.: |
|----------------|-----------|--------------------|
| 1 | 1/1000 mm | 2105 |
| Scale | 7:1 | Parts No.: |
| Date | | Drawn |
| Checked | | Appr. |
| Material | | General Tolerances |
| Heat Treatment | | Dimensions |
| Hardness | | Angles |
| Plating | | |

MIYOTA
CITIZEN WATCH CO., LTD. TOKYO, JAPAN

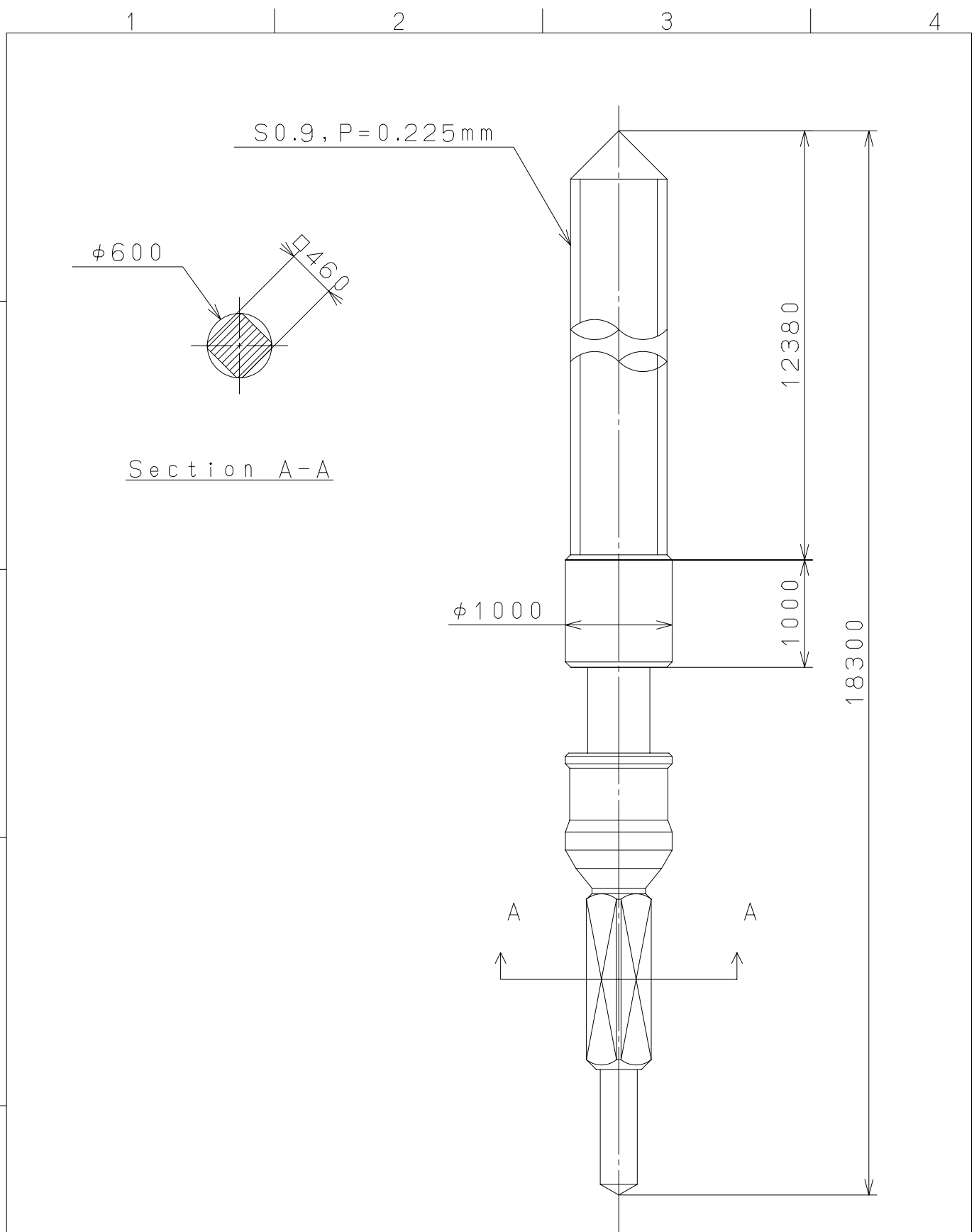
This drawing is provisional and subject to our reconfirmation and/or revision without notice.



| | | | | | |
|----------------|------|-------------|----------|----------|------------------------------------|
| △ | | | Quantity | | Cal.NO.: |
| △ | | | Unit | 1/1000mm | 2105-20A |
| △ | | | Scale | 6:1 | Parts No.: |
| △ | | | Date | | |
| △ | | | Drawn | | |
| Mark | Date | Description | Appr. | Checked | M. Kobayashi |
| Alterations | | | Approved | Name: | |
| Material | | | | | Indications for Dial |
| Heat Treatment | | | | | Drawing No.:2105D001 |
| Hardness | | | | | MIYOTA |
| Plating | | | | | |
| | | | | | CITIZEN WATCH CO.,LTD. TOKYO,JAPAN |

2007/03/16 (09:59:29)

This drawing is provisional and subject to our reconfirmation and/or revision without notice.



| | | | | | |
|----------------|------|-------------|----------|--------------------------------------|------------|
| △5 | | | Quantity | | Cal.NO.: |
| △4 | | | Unit | 1 / 1000 mm | |
| △3 | | | Scale | 20 / 1 | Parts No.: |
| △2 | | | Date | | 065-299 |
| △1 | | | Drawn | | Name: |
| Mark | Date | Description | Appr. | Checked | T. Hiruta |
| Alterations | | | Approved | SETTING STEM | |
| Material | | | | Drawing No.: 2990S000 | |
| Heat Treatment | | | | General Tolerances | |
| Hardness | | | | Dimensions | |
| Plating | | | | Angles | |
| | | | | MIYOTA | |
| | | | | CITIZEN WATCH CO., LTD. TOKYO, JAPAN | |