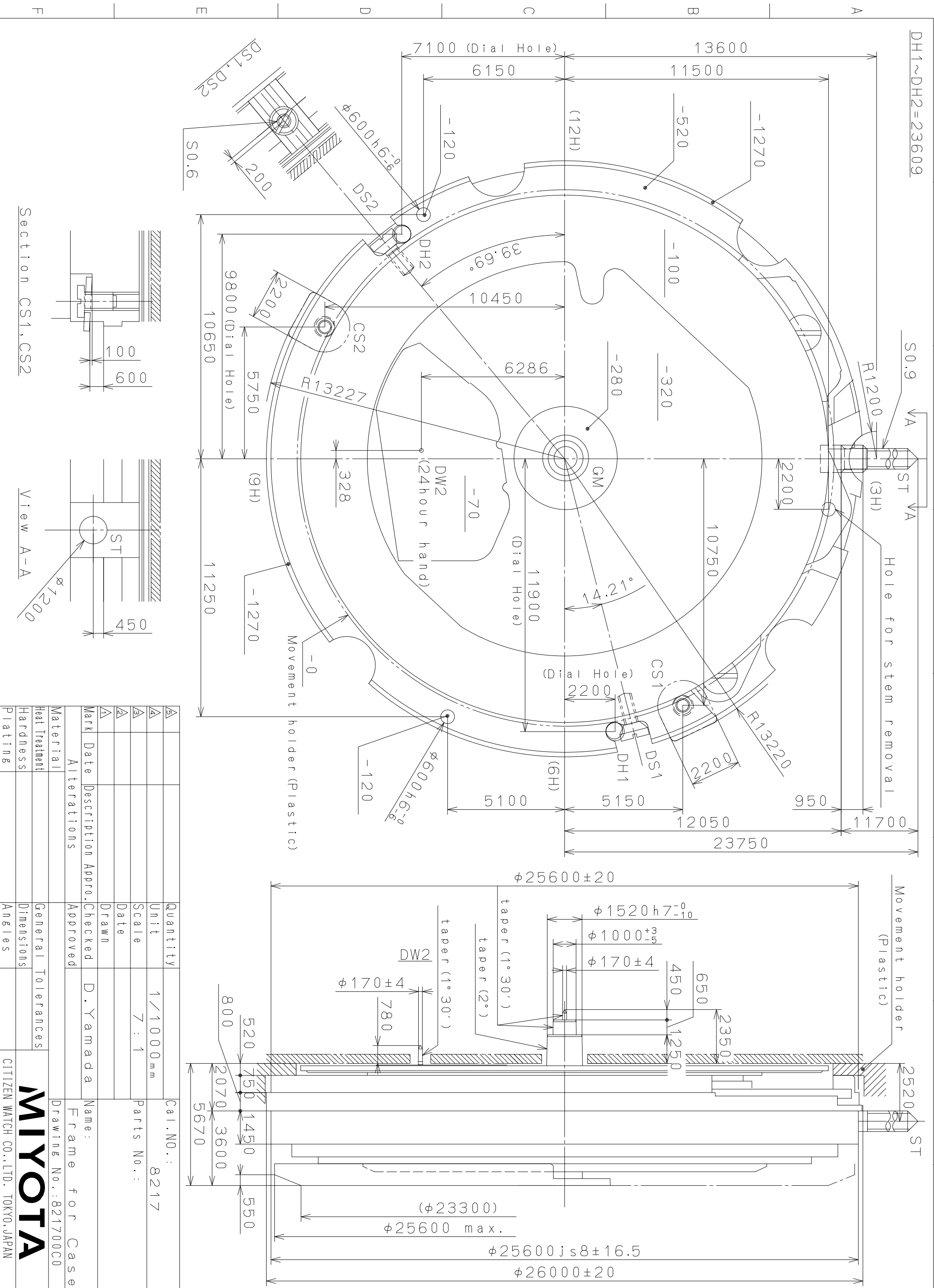


This drawing is provisional and subject to our reconfirmation and/or revision without notice.



Section CS1, CS2

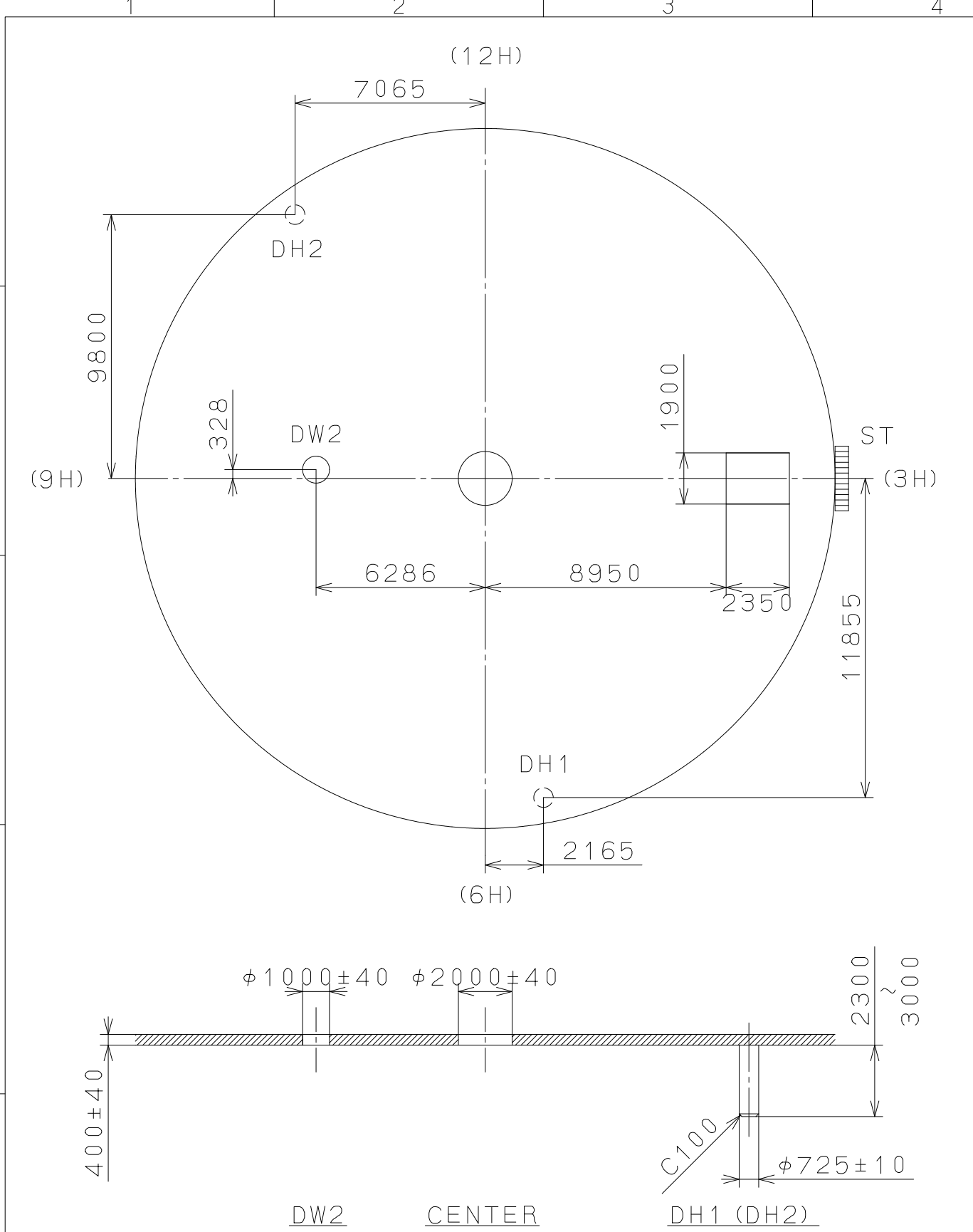
View A-A

Alterations	Quantity	Cal. NO.:
Date	Unit	82117
Description	Scale	1 / 1000 mm
Appr.	Date	7 : 1
Checked	Drawn	Parts No.:
Approved	D. Yamada	Name:
Material	Frame for Case	Drawing No.:
Heat Treatment		821700C0
Hardness	General Tolerances	
Plating	Dimensions	
	Angles	

**MIYOTA**

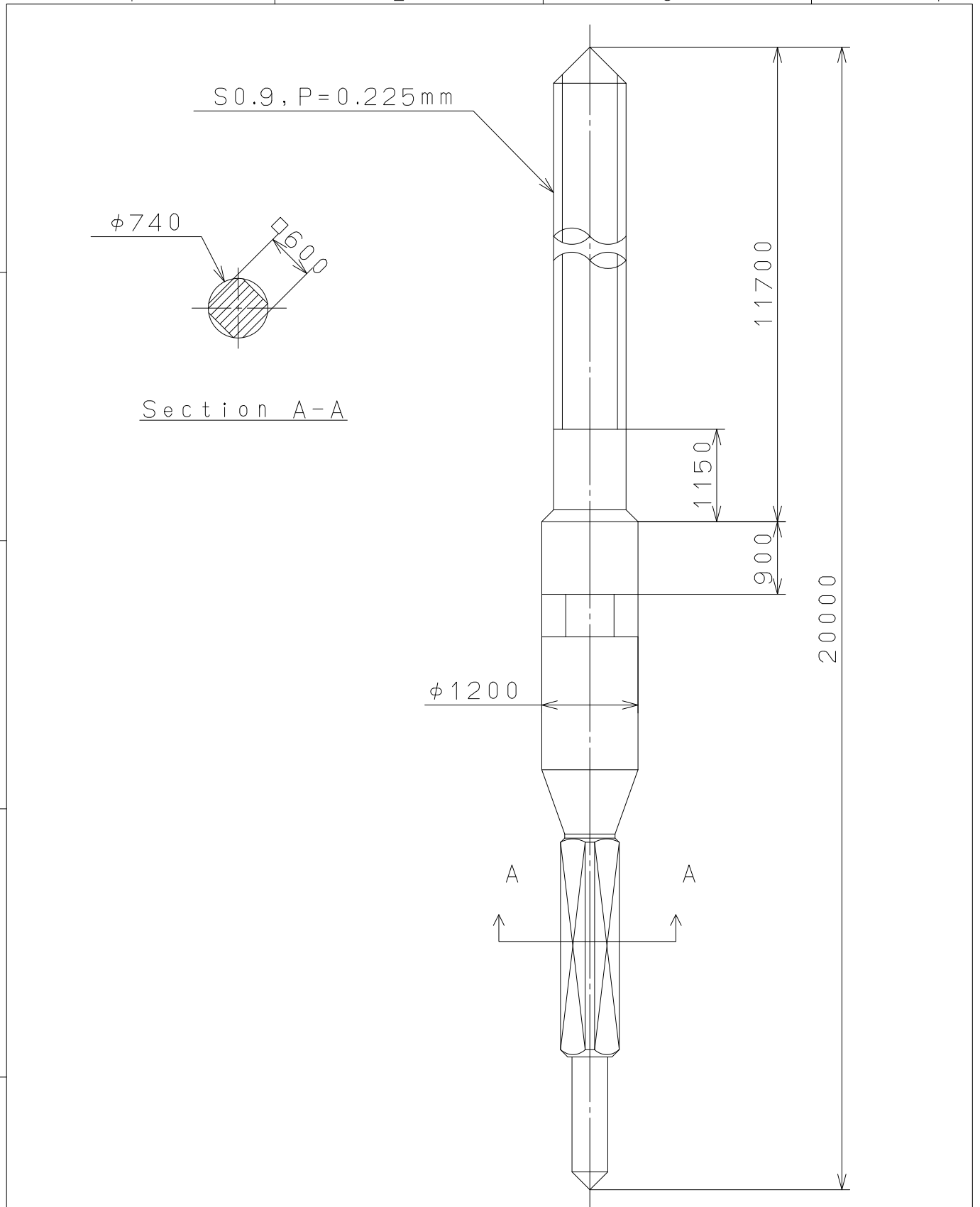
CITIZEN WATCH CO., LTD. TOKYO, JAPAN

This drawing is provisional and subject to our reconfirmation and/or revision without notice.

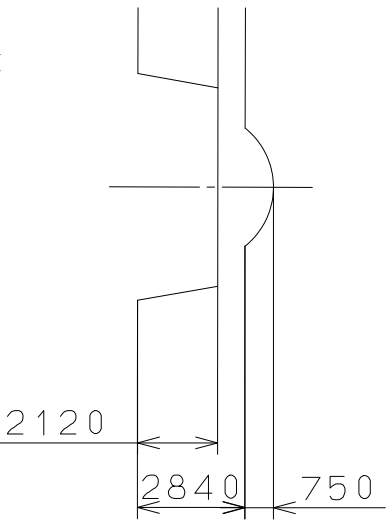
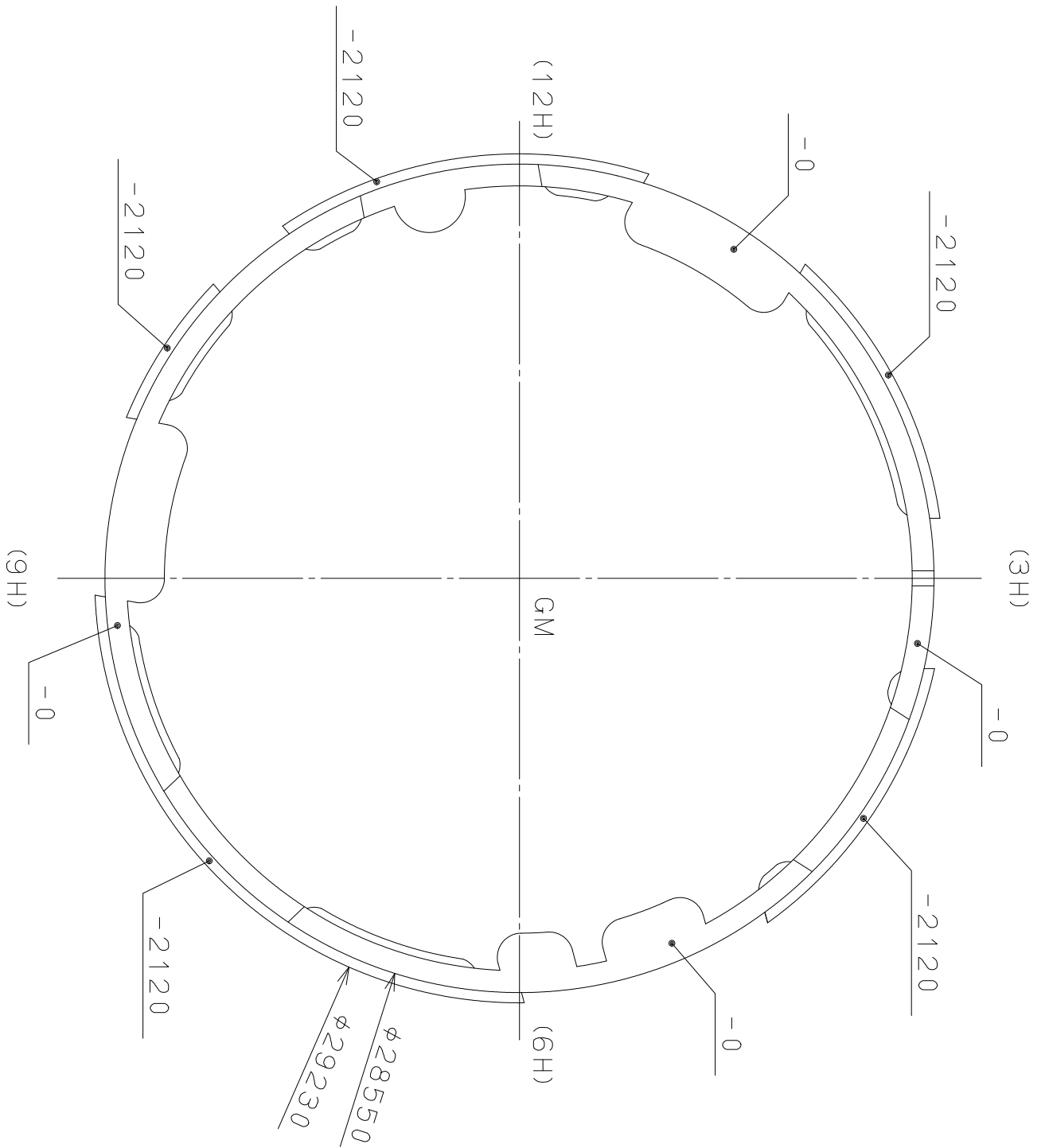


△			Quantity		Cal.NO.:
△			Unit	1/1000 <sub>mm</sub>	8217-43A
△			Scale	5 : 1	Parts No.:
△			Date		
△			Drawn		
Mark	Date	Description	Appro.	Checked	Name:
		Alterations	Approved	D. Yamada	Indications for Dial
Material					Drawing No.: 821700D0
Heat Treatment			General Tolerances		<b>MIYOTA</b>
Hardness			Dimensions		
Plating			Angles		
					CITIZEN WATCH CO., LTD. TOKYO, JAPAN

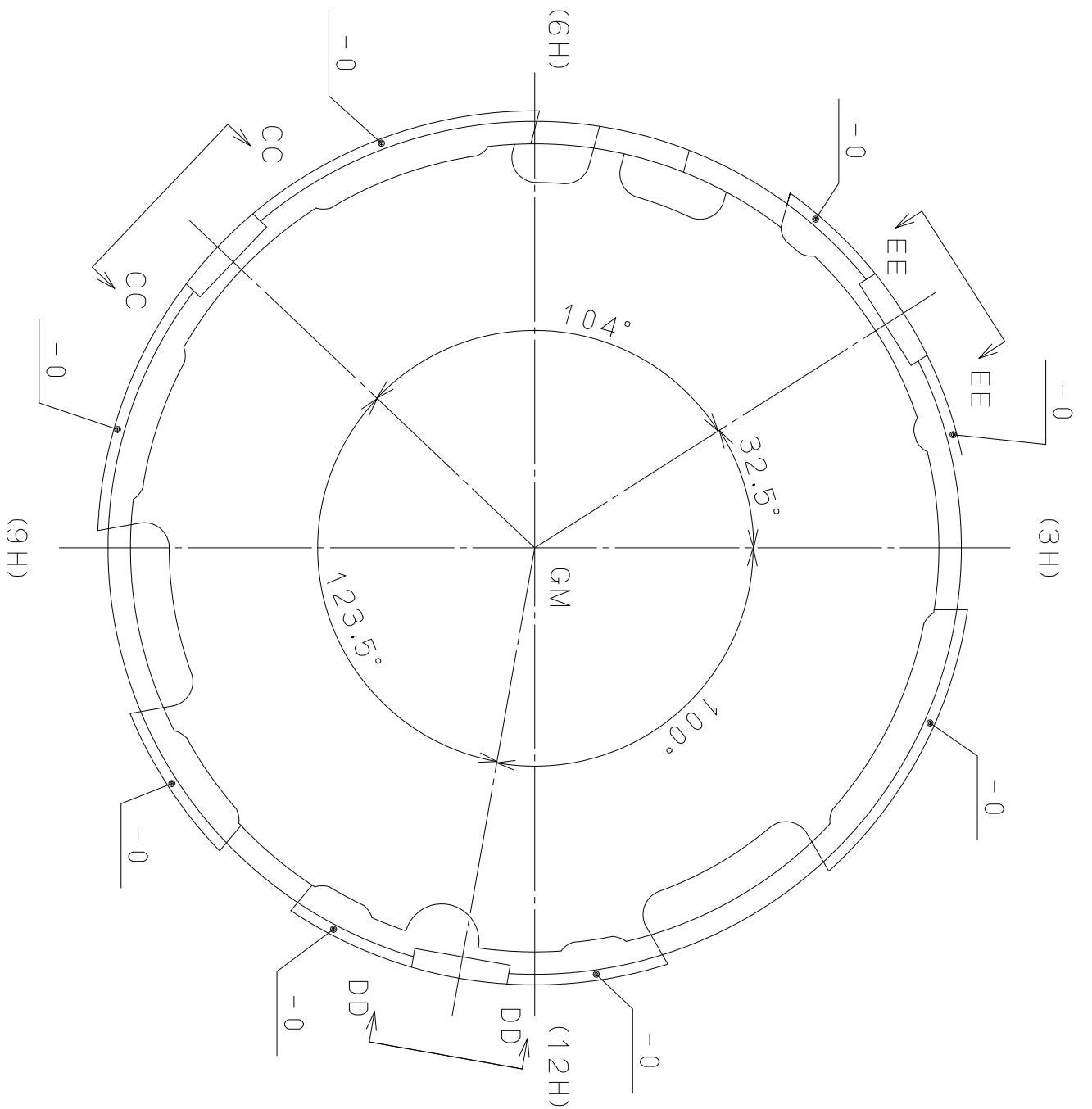
This drawing is provisional and subject to our reconfirmation and/or revision without notice.



△5			Quantity		Cal.NO.:
△4			Unit	1/1000mm	
△3			Scale	15:1	Parts No.:
△2			Date		065-212
△1			Drawn		Name:
Mark	Date	Description	Appr.	Checked	D. Yamada
Alterations			Approved	SETTING STEM	
Material					Drawing No.: 212000S0
Heat Treatment					<b>MIYOTA</b> CITIZEN WATCH CO., LTD. TOKYO, JAPAN
Hardness					
Plating					



View CC-CC  
DD-DD, EE-EE



Quantity	Unit	1/1000 mm	Cal. NO.:
Scale	Scale	5 : 1	Parts No.:
Date	Date		500-710
Drawn	Drawn		
Checked	Checked		
Approved	Approved		
Material		D. Yamada	
Material		Name:	
Heat Treatment		Casing Holder	
Heat Treatment		Drawing No.: 820500E0	
Hardness		Miyota	
Hardness		CITIZEN WATCH CO., LTD. TOKYO, JAPAN	
Plating			