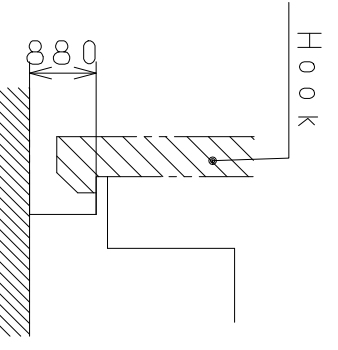
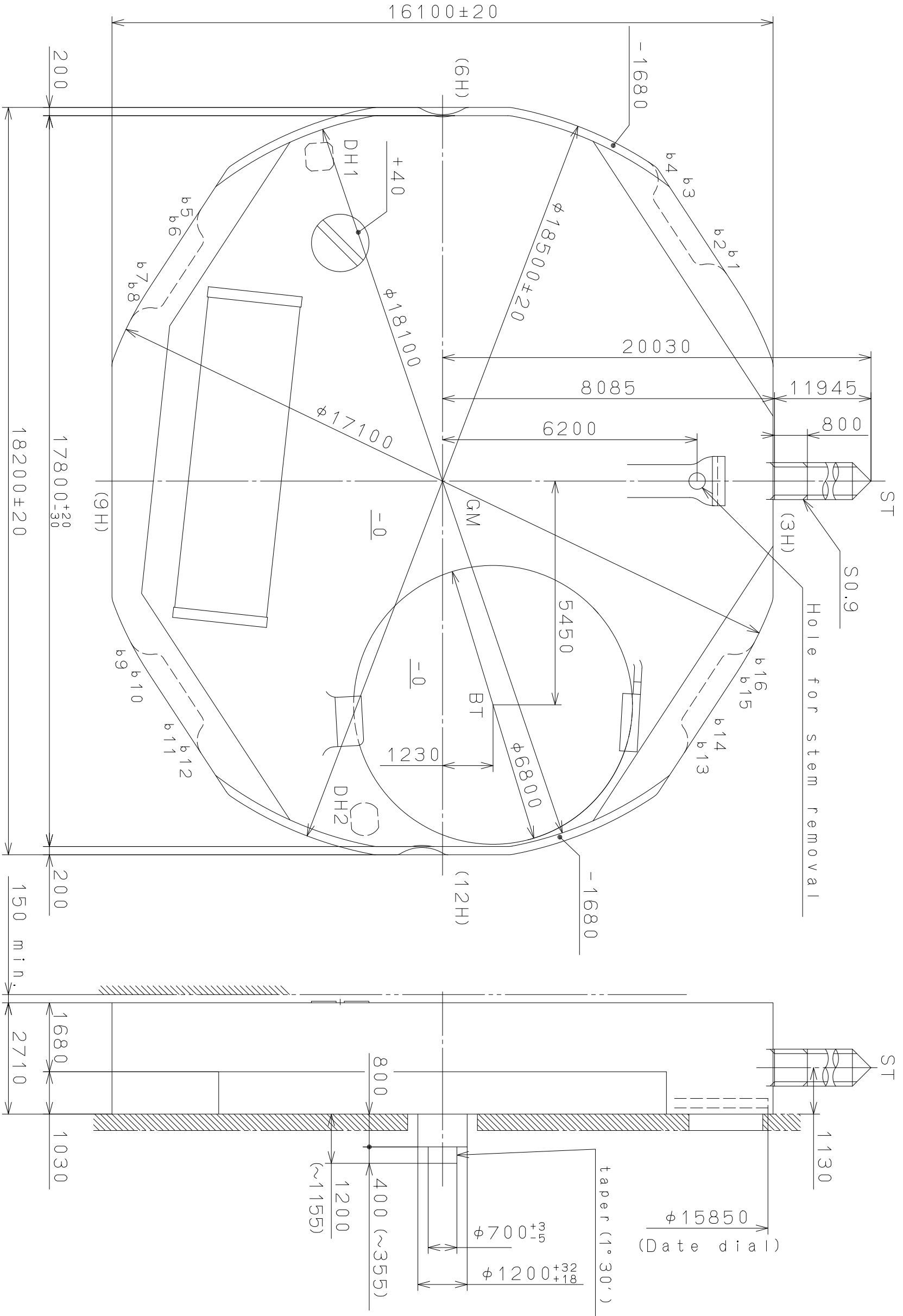


This drawing is provisional and subject to our reconfirmation and/or revision without notice.

DH1~DH2=16171±20

Coordinates

Mark	X	Y	R
GM	0	0	—
DH1	-7900	-3000	—
DH2	8234	-1900	—
b1	-4760	6470	530
b2	-5488	6291	220
b3	-6923	5351	220
b4	-7331	4722	530
b5	-6325	-5444	530
b6	-5871	-6041	220
b7	-4431	-6984	220
b8	-3693	-7119	530
b9	3693	-7119	530
b10	4431	-6984	220
b11	5871	-6041	220
b12	6325	-5444	530
b13	6325	5444	530
b14	5871	6041	220
b15	4431	6984	220
b16	3693	7119	530



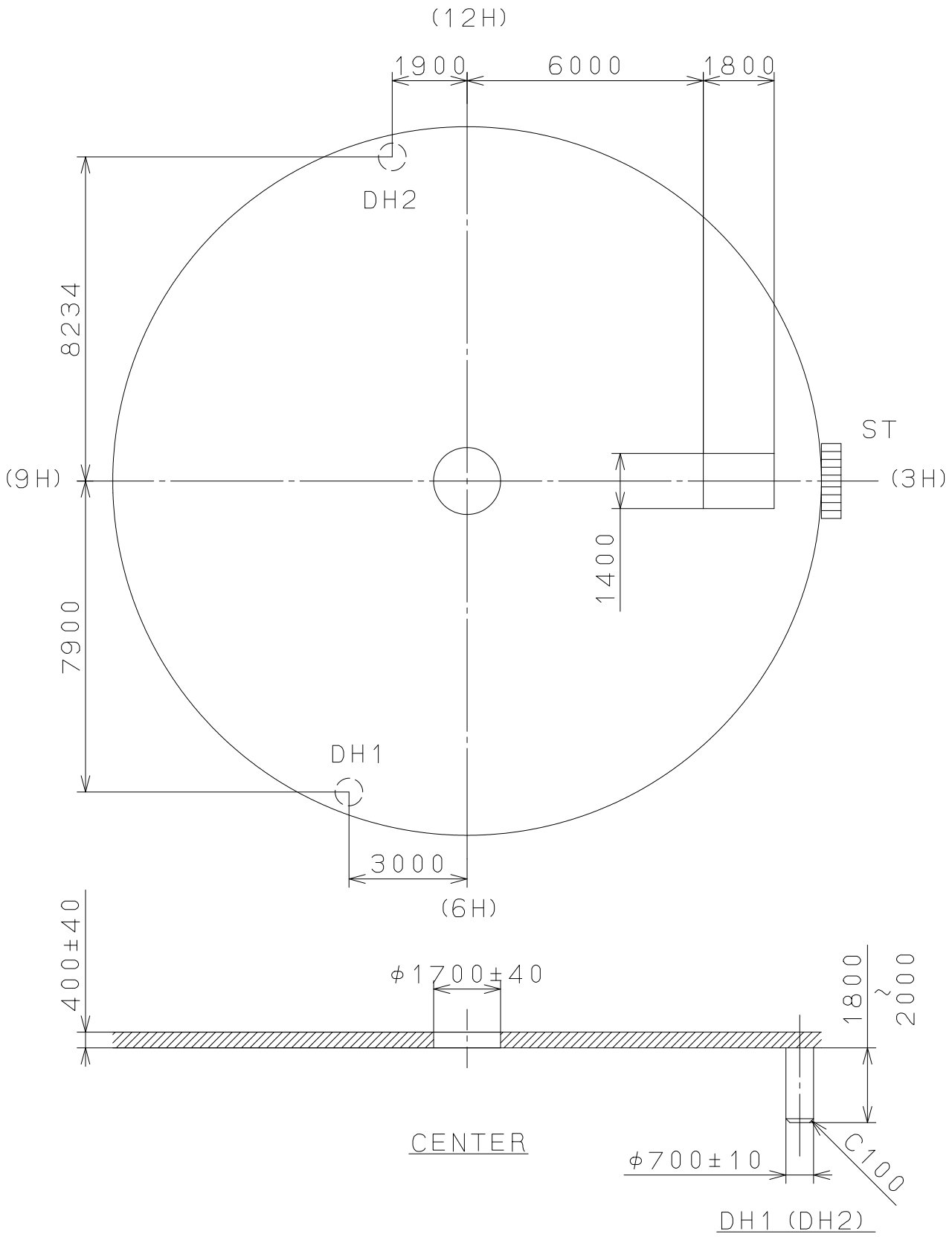
Section b1~b16

△	Quantity	Cal. NO.:	GL17
△	Unit	Unit	1/1000 mm
△	Scale	Scale	10:1
△	Date	Date	
△	Drawn	Drawn	
△	Checked	Checked	D. Yamada
△	Approved	Approved	
△	Description	Description	Frame for Case
△	Alterations	Alterations	
△	Material	Material	
△	Heat Treatment	Heat Treatment	
△	Hardness	Hardness	
△	Plating	Plating	
△	General Tolerances	General Tolerances	
△	Dimensions	Dimensions	
△	Angles	Angles	

MIYOTA
CITIZEN WATCH CO., LTD. TOKYO, JAPAN

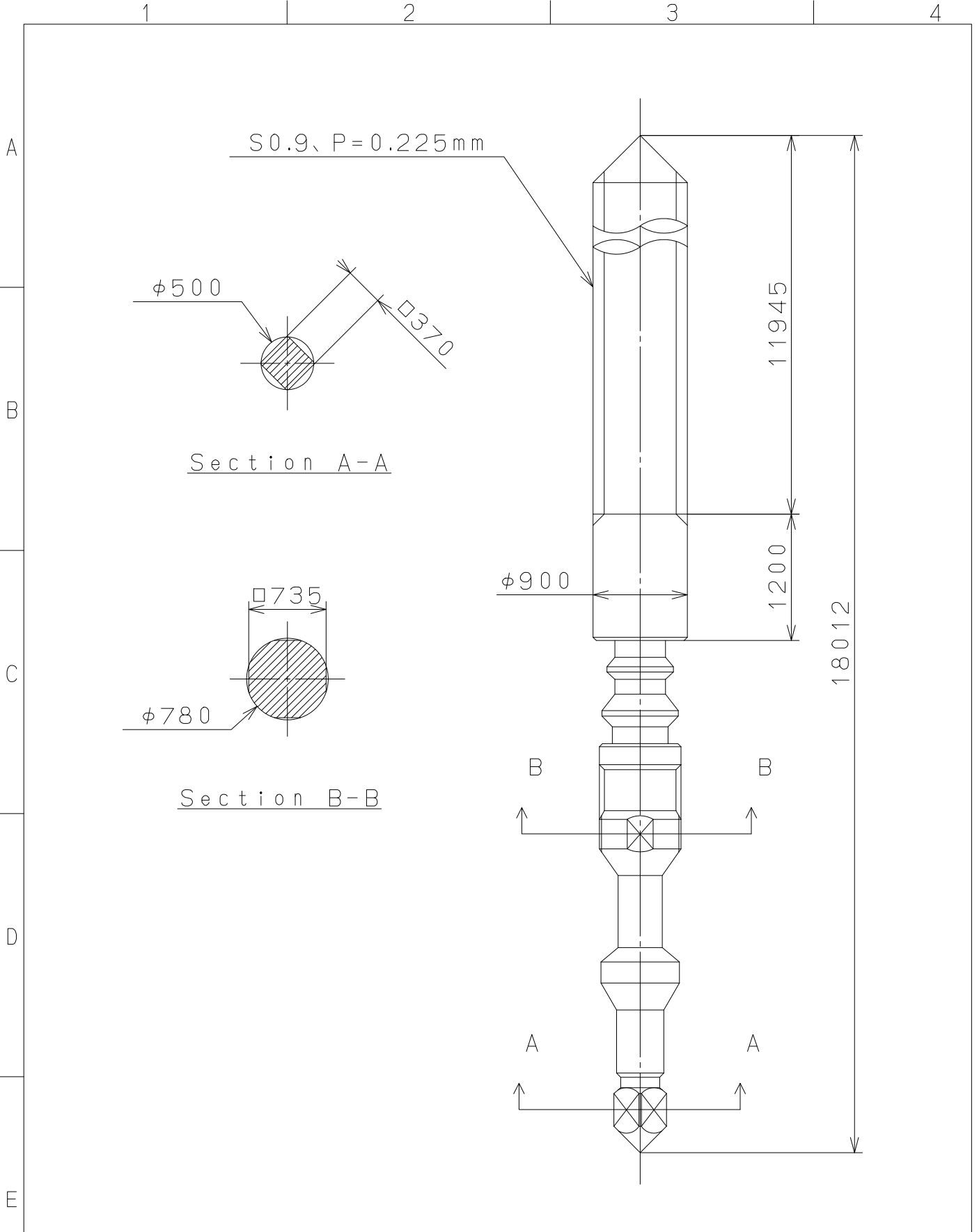
Drawing No.: GL1700C0

This drawing is provisional and subject to our reconfirmation and/or revision without notice.



△			Quantity		Cal.NO.:
△			Unit	1 / 1000 mm	GL17-10A
△			Scale	7 : 1	Parts No.:
△			Date		
△			Drawn		
Mark	Date	Description	Appr.	Checked	Name:
		Alterations	Approved	D. Yamada	Indications for Dial
Material					Drawing No.: GL1700D0
Heat Treatment			General Tolerances		MIYOTA
Hardness			Dimensions		
Plating			Angles		
					CITIZEN WATCH CO., LTD. TOKYO, JAPAN

This drawing is provisional and subject to our reconfirmation and/or revision without notice.



△			Quantity		Cal.NO.:
△			Unit	1 / 1000 mm	
△			Scale	20 : 1	Parts No.:
△			Date		065-547
△			Drawn		
Mark	Date	Description	Appr.	Checked	Name:
		Alterations	Approved	D. Yamada	SETTING STEM
Material					Drawing No.: 547000S0
Heat Treatment			General Tolerances	MIYOTA CITIZEN WATCH CO., LTD. TOKYO, JAPAN	
Hardness			Dimensions		
Plating			Angles		