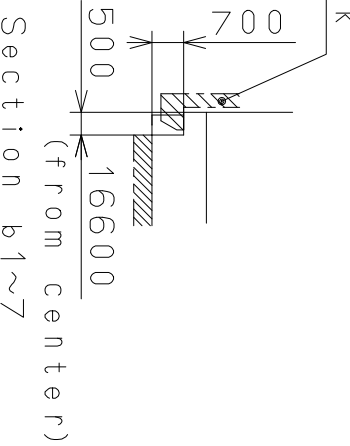
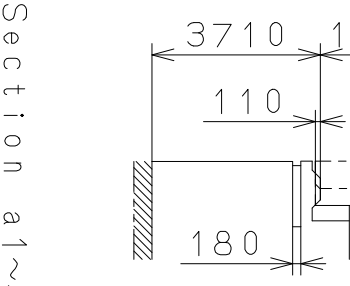
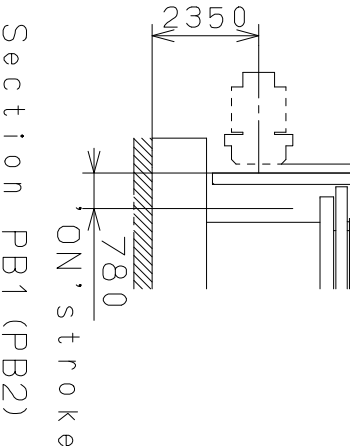
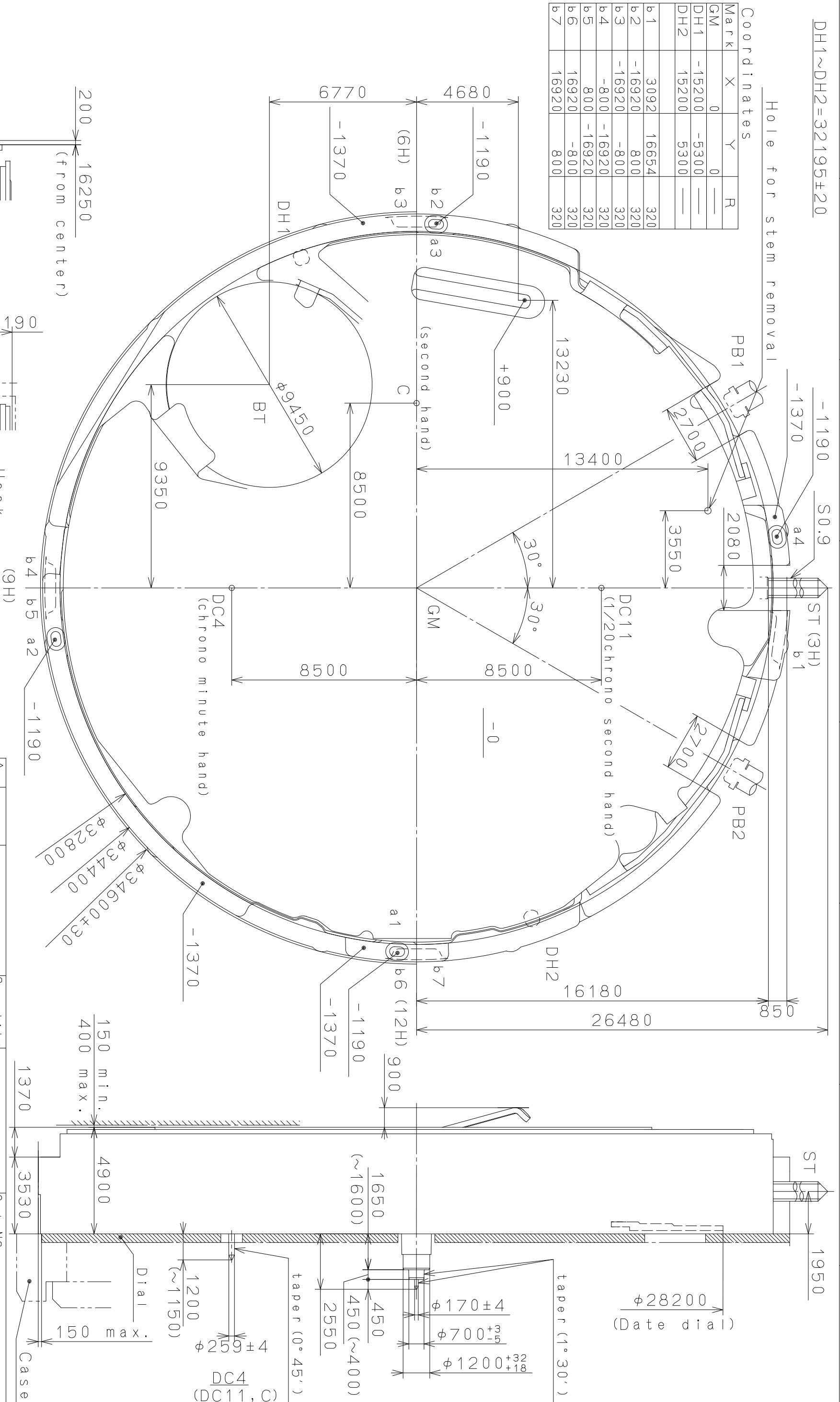


This drawing is provisional and subject to our reconfirmation and/or revision without notice.

Coordinates		
Mark	X	Y
GM	0	0
DH1	-15200	-5300
DH2	15200	5300
b1	3092	16654
b2	-16920	800
b3	-16920	-800
b4	-800	-16920
b5	800	-16920
b6	16920	-800
b7	16920	800



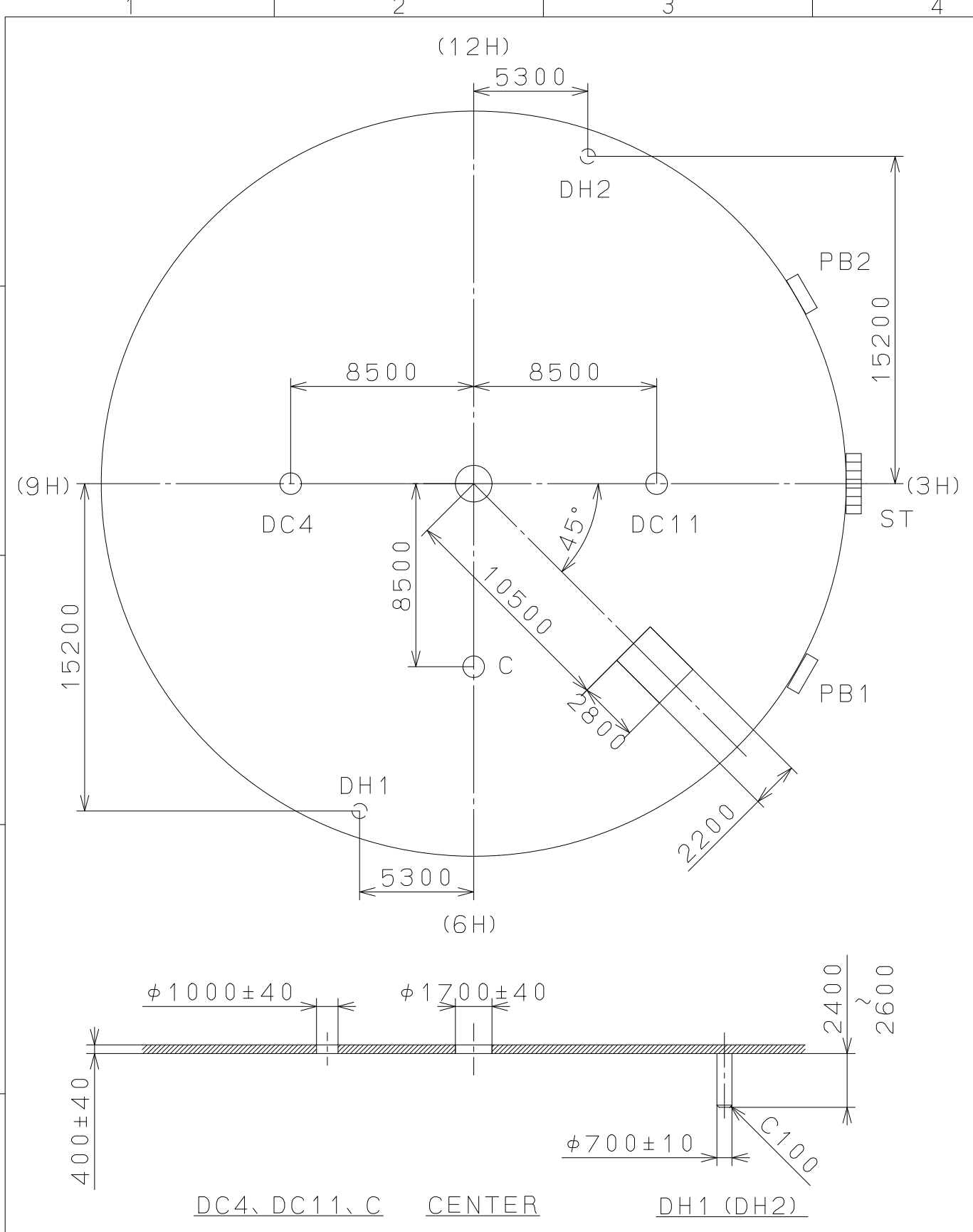
Mark	Date	Description	Appr.	Checked	Drawn	Name:
						D. Yamada
Alterations						
Material						
Heat Treatment						
Hardness						
Plating						
General Tolerances						
Dimensions						
Angles						

Quantity	Unit	Cal. NO.:
1	1/1000 mm	6S20
Scale	6 : 1	Parts No.:
Date		Name:
		Frame for Case
Drawn		Drawing No.:
		6S2000C0

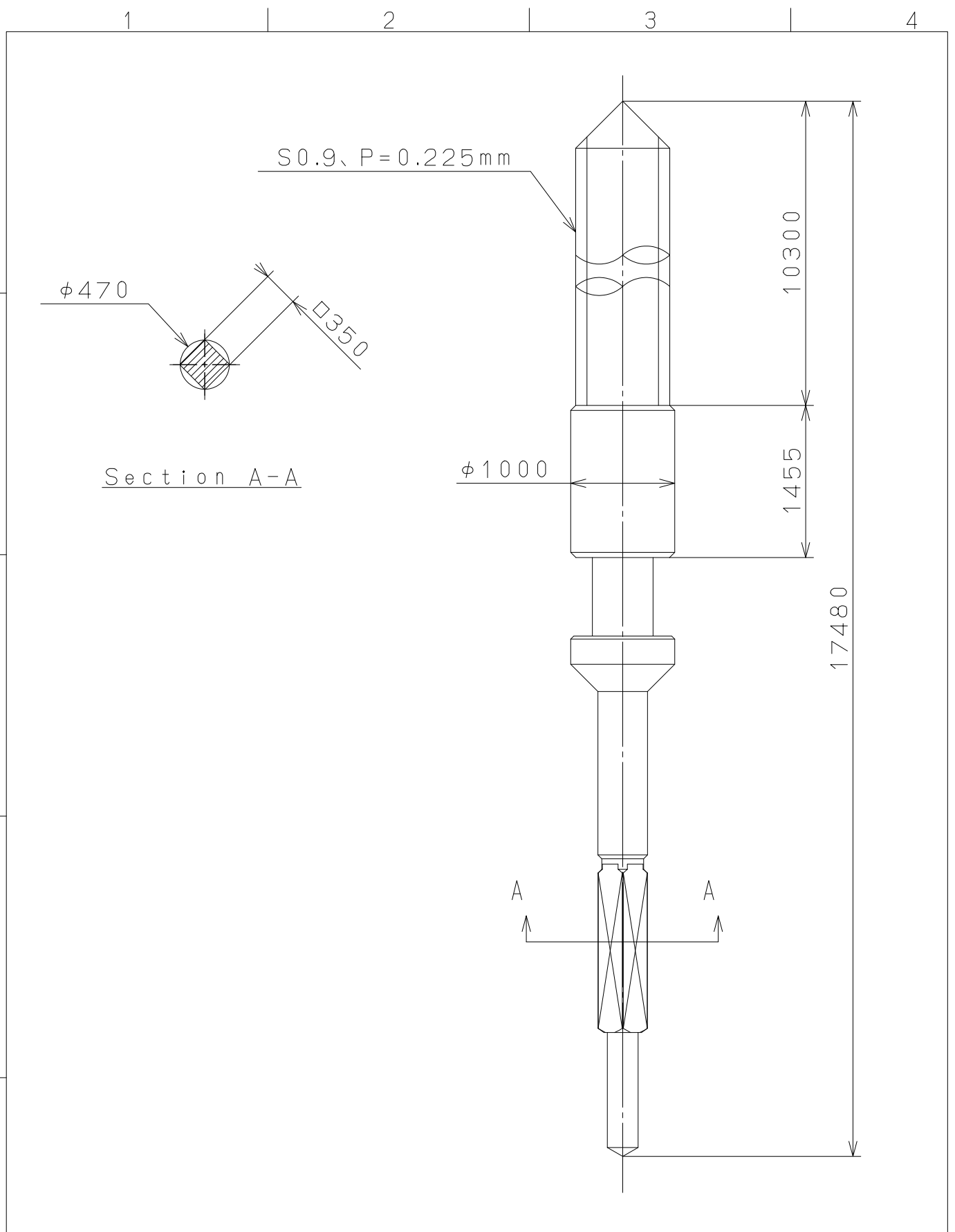
**MIYOTA**  
CITIZEN WATCH CO., LTD. TOKYO, JAPAN

This drawing is provisional and subject to our reconfirmation and/or revision without notice.



△			Quantity		Cal.NO.:
△			Unit	1 / 1000 <sub>mm</sub>	6S20-00A
△			Scale	4 : 1	Parts No.:
△			Date		
△			Drawn		
Mark	Date	Description	Appr.	Checked	Name:
		Alterations	Approved	D. Yamada	Indications for Dial
Material					Drawing No.: 6S2000D0
Heat Treatment			General Tolerances		<b>MIYOTA</b>
Hardness			Dimensions		
Plating			Angles		
					CITIZEN WATCH CO., LTD. TOKYO, JAPAN

This drawing is provisional and subject to our reconfirmation and/or revision without notice.



△5			Quantity		Cal.NO.:
△4			Unit	1 / 1000 mm	
△3			Scale	20 : 1	Parts No.:
△2			Date		065-A13
△1			Drawn		
Mark	Date	Description	Appro.	Checked	D. Yamada
Alterations			Approved	Name: SETTING STEM	
Material				Drawing No.: A13000S0	
Heat Treatment				General Tolerances	
Hardness				Dimensions	
Plating				Angles	
				<b>MIYOTA</b>	
				CITIZEN WATCH CO., LTD. TOKYO, JAPAN	