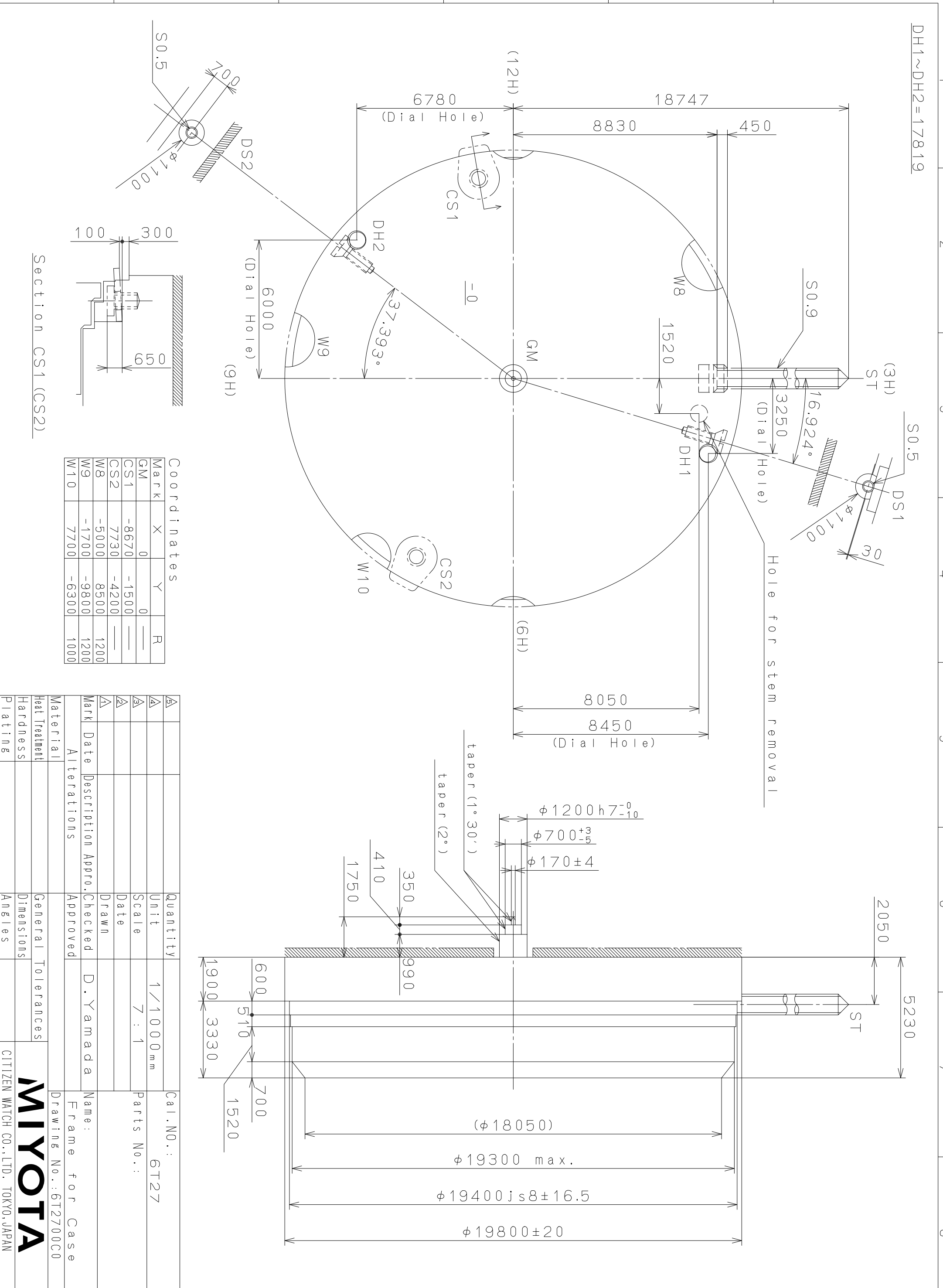
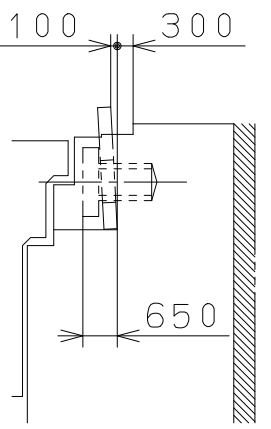


This drawing is provisional and subject to our reconfirmation and/or revision without notice.



DH1~DH2=17819



Section CS1 (CS2)

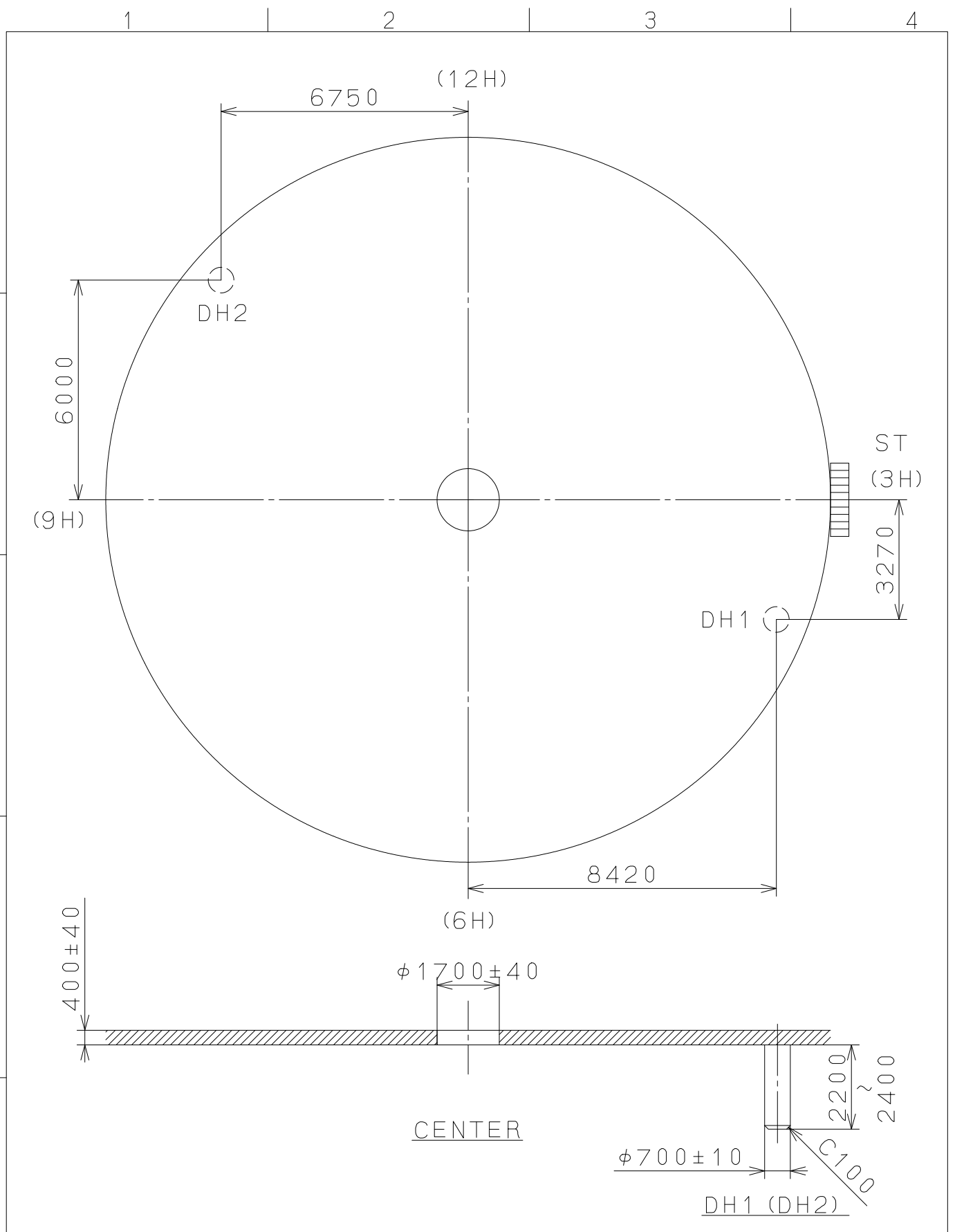
Coordinates

Mark	X	Y	R
GM	0	0	—
CS1	-8670	-1500	—
CS2	7730	-4200	—
W8	-5000	8500	1200
W9	-1700	-9800	1200
W10	7700	-6300	1000

Material	Alterations	Quantity	Unit	Cal. NO.:
Material			1/1000 mm	GT27
Heat Treatment			Scale	7:1
Hardness			Date	
Plating			Drawn	
			Checked	
			Approved	
			D. Yamada	
			Name: Frame for Case	
			Drawing No.: 6T2700C0	
			General Tolerances	
			Dimensions	
			Angles	

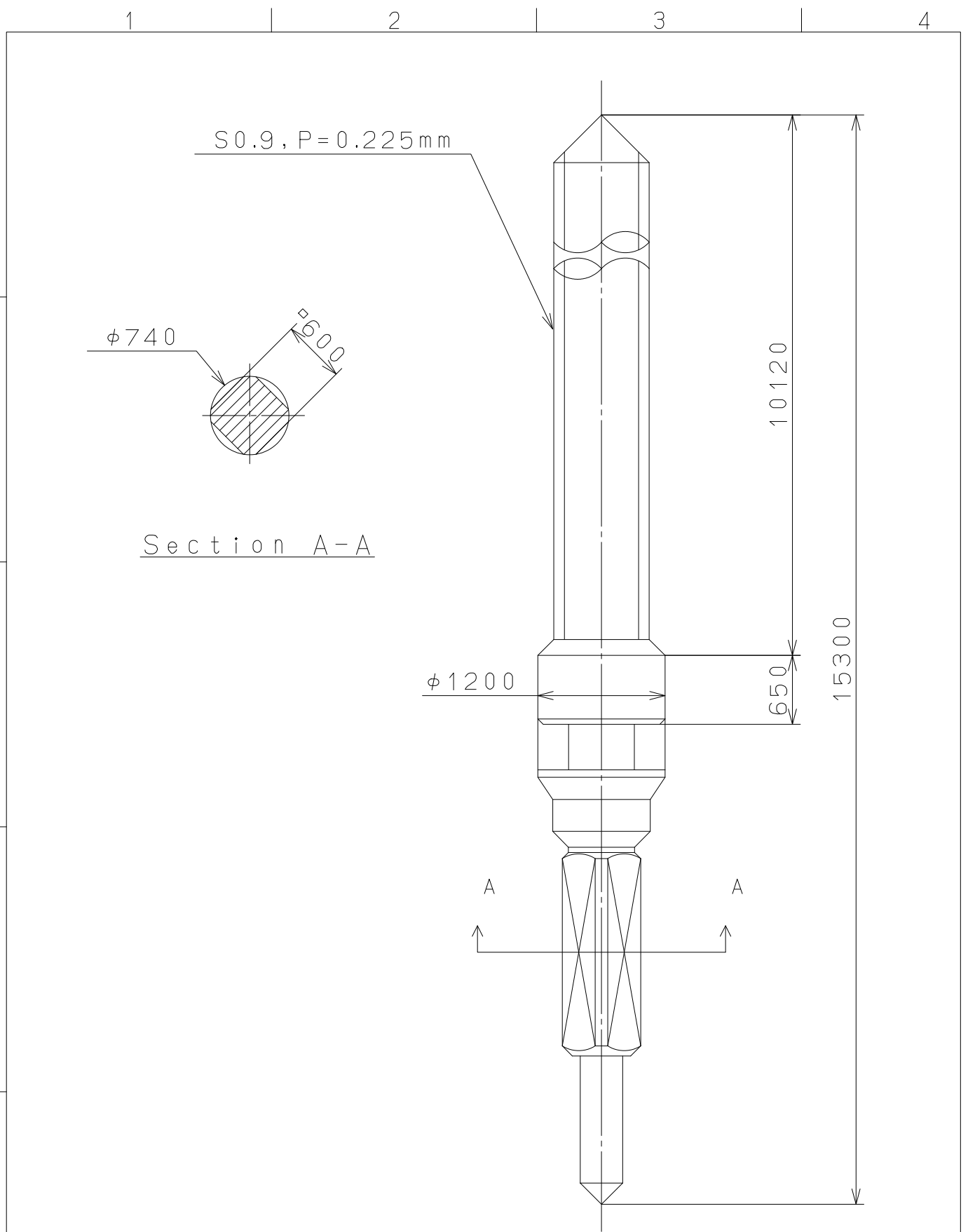
MIYOTA
CITIZEN WATCH CO., LTD. TOKYO, JAPAN

This drawing is provisional and subject to our reconfirmation and/or revision without notice.



△			Quantity		Cal.NO.:
△			Unit	1 / 1000 mm	6T27-21A
△			Scale	7 : 1	Parts No.:
△			Date		
△			Drawn		
Mark	Date	Description	Appr.	Checked	Name:
		Alterations	Approved	D. Yamada	Indications for Dial
Material					Drawing No.: 6T2700D0
Heat Treatment				General Tolerances	MIYOTA
Hardness				Dimensions	
Plating				Angles	
					CITIZEN WATCH CO., LTD. TOKYO, JAPAN

This drawing is provisional and subject to our reconfirmation and/or revision without notice.



△			Quantity		Cal.NO.:
△			Unit	1/1000 _{mm}	
△			Scale	20:1	Parts No.:
△			Date		065-117
△			Drawn		Name:
Mark	Date	Description	Appr.	Checked	D. Yamada
Alterations			Approved	SETTING STEM	
Material					Drawing No.: 117000S0
Heat Treatment					MIYOTA
Hardness					
Plating					
					CITIZEN WATCH CO., LTD. TOKYO, JAPAN