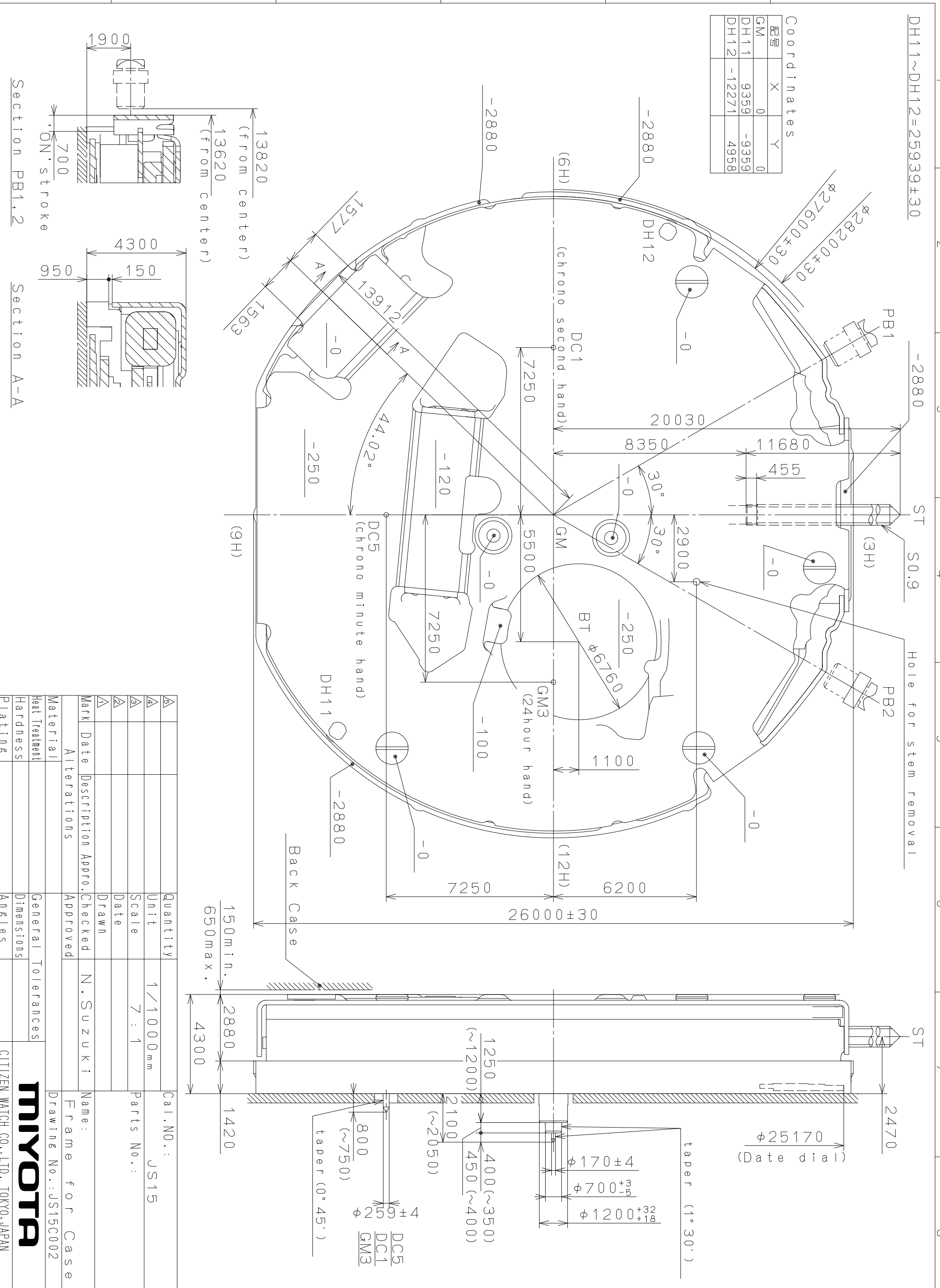


This drawing is provisional and subject to our reconfirmation and/or revision without notice.

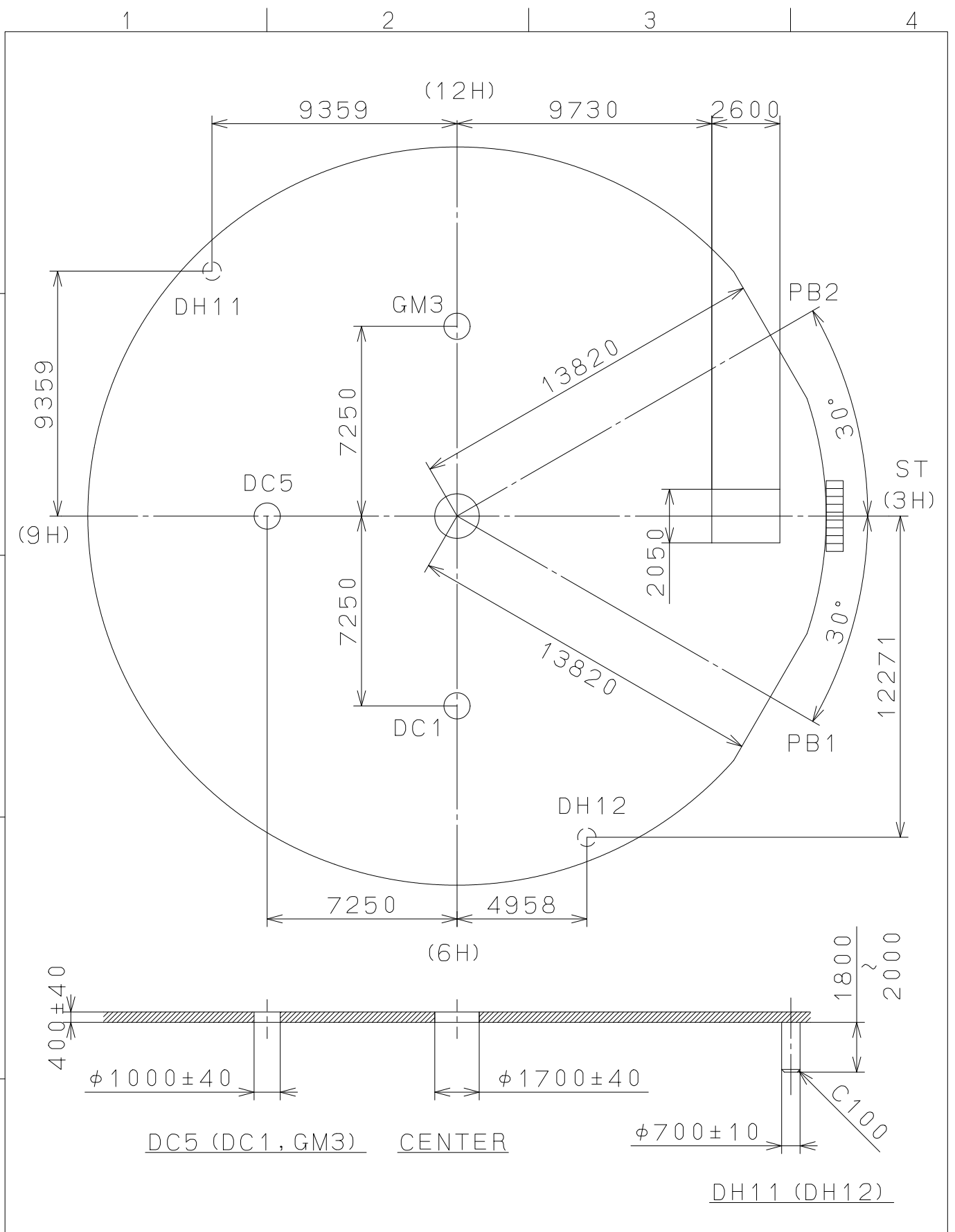
Coordinates		
記号	X	Y
GM	0	0
DH11	9359	-9359
DH12	-12271	4958



△	Quantity	Cal. NO.:	JS15
△	Unit	Unit	1/1000 mm
△	Scale	Scale	7 : 1
△	Date	Date	
△	Drawn	Drawn	
△	Checked	Checked	N. Suzuki
△	Approved	Approved	
Alterations		Name: Frame for Case	
Material		Drawing No.: JS15C002	
Heat Treatment		CITIZEN WATCH CO., LTD. TOKYO, JAPAN	
Hardness		MIYOTA	
Plating		CITIZEN WATCH CO., LTD. TOKYO, JAPAN	

2009/01/26 (10:04:37)

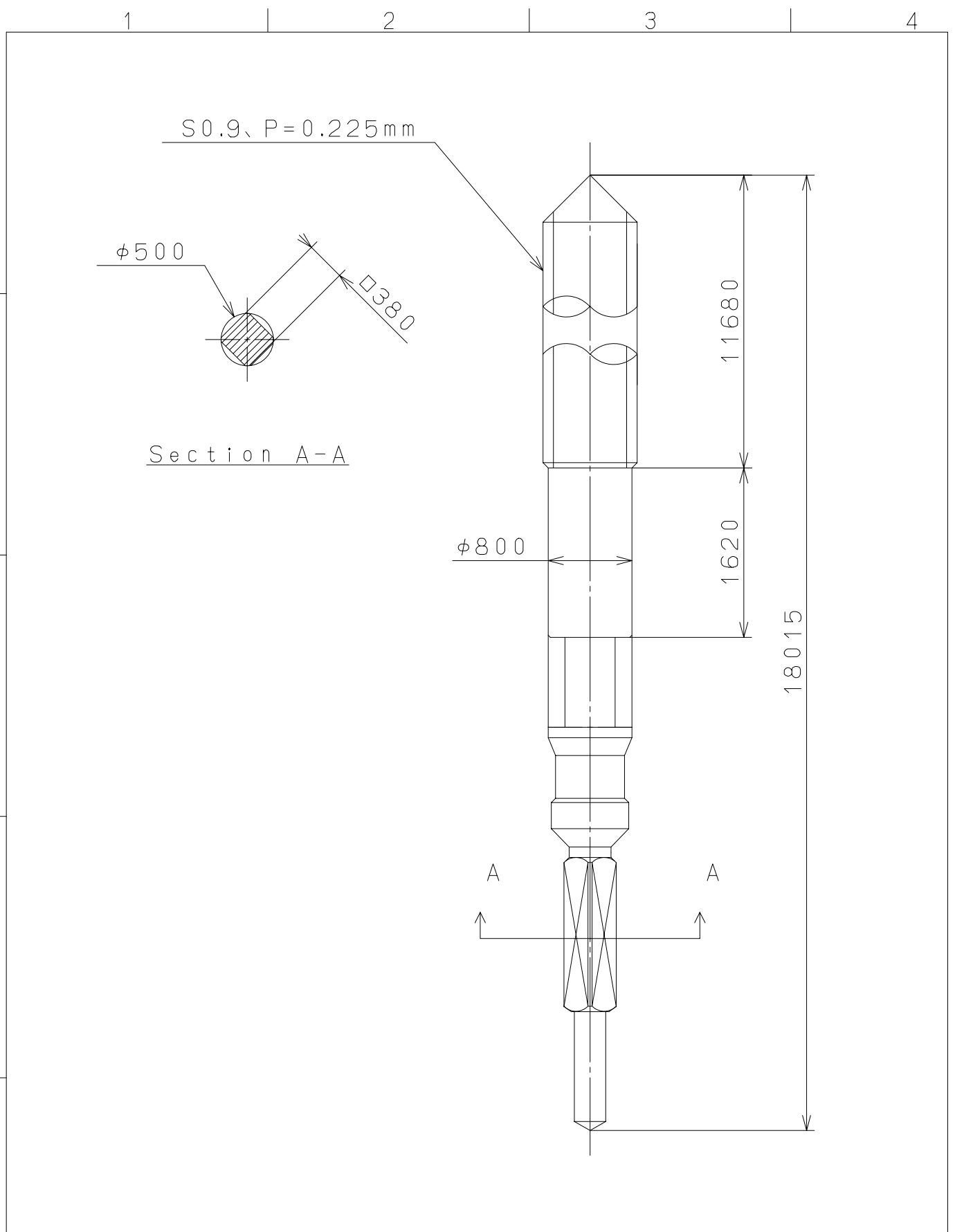
This drawing is provisional and subject to our reconfirmation and/or revision without notice.



△			Quantity		Cal.NO.:
△			Unit	1/1000 _{mm}	JS15-00C
△			Scale	5:1	Parts No.:
△			Date		
△			Drawn		
Mark	Date	Description	Appr.	Checked	Name:
		Alterations	Approved	N. Suzuki	Indications for Dial
Material					Drawing No.: JS15D000
Heat Treatment			General Tolerances		MIYOTA
Hardness			Dimensions		
Plating			Angles		
					CITIZEN WATCH CO., LTD. TOKYO, JAPAN

2006/12/25 (07:50:10)

This drawing is provisional and subject to our reconfirmation and/or revision without notice.



△5			Quantity		Cal.NO.:
△4			Unit	1 / 1000 mm	
△3			Scale	20 / 1	Parts No.:
△2			Date		065-505
△1			Drawn		Name:
Mark	Date	Description	Appr.	Checked	T.Hiruta
Alterations			Approved	SETTING STEM	
Material					Drawing No.: 5050S000
Heat Treatment					MIYOTA CITIZEN WATCH CO., LTD. TOKYO, JAPAN
Hardness	General Tolerances				
Plating	Dimensions				
	Angles				