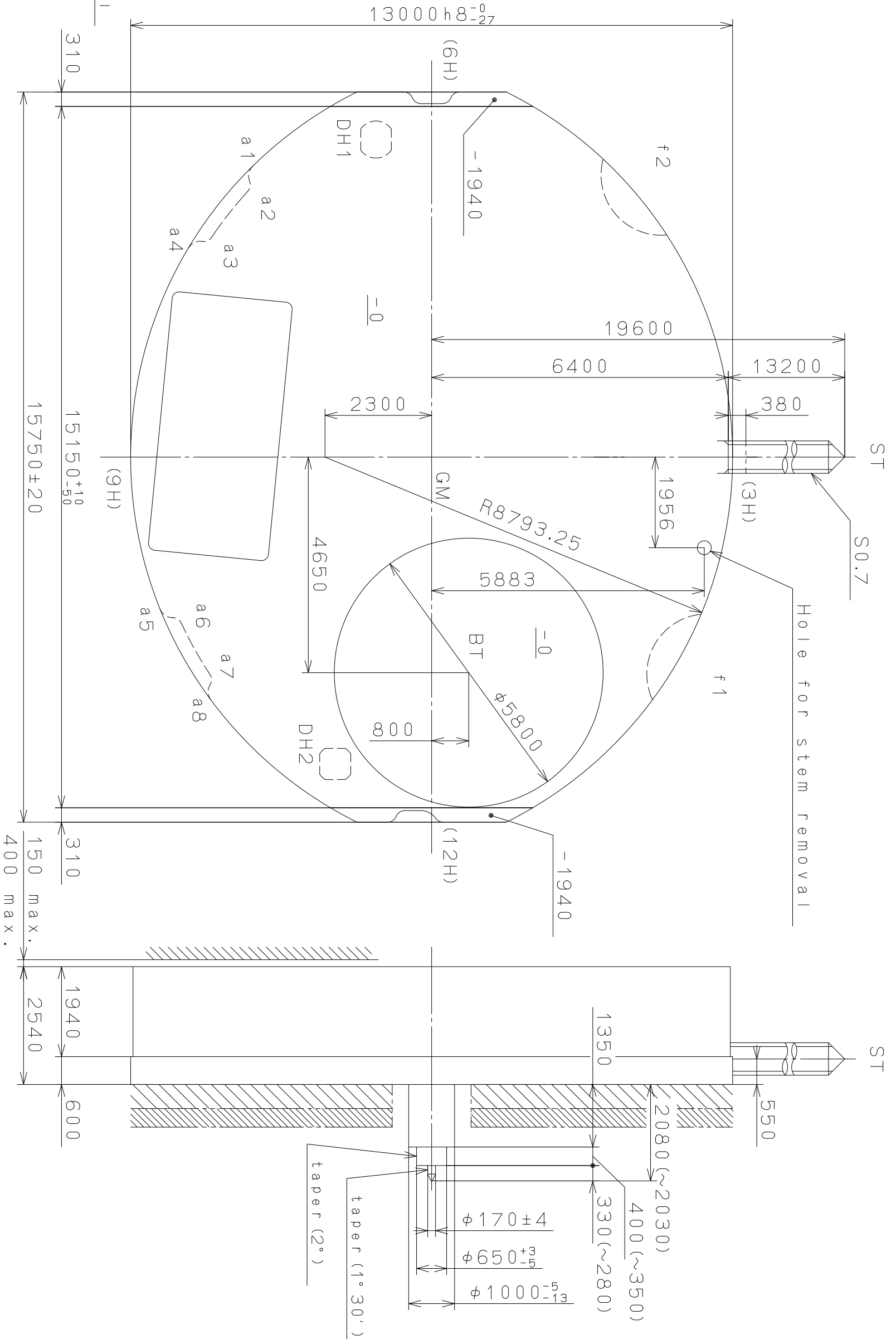


This drawing is provisional and subject to our reconfirmation and/or revision without notice.

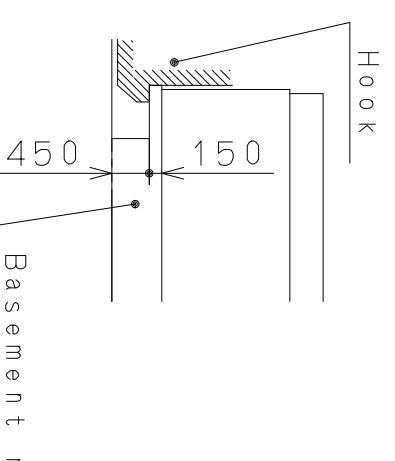
DH1~DH2=13499±20

Coordinates

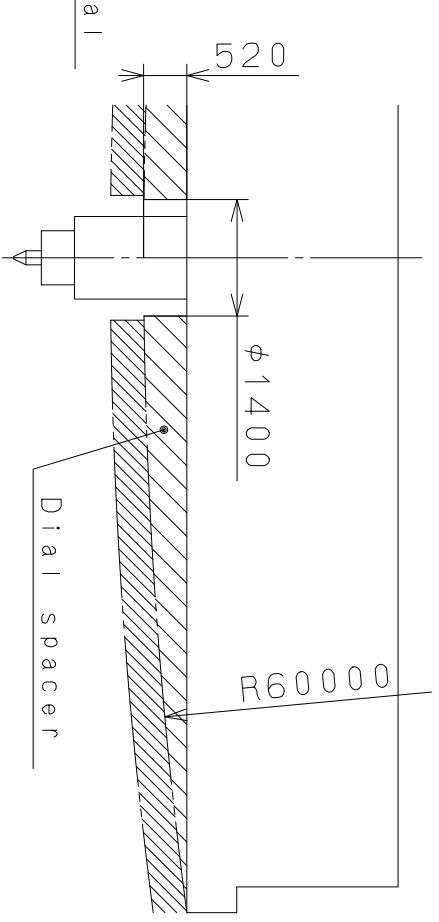
Mark	X	Y	R
GM	0	0	—
DH1	-6850	-1200	—
DH2	6620	-2080	—
a1	-6062	-3648	300
a2	-5872	-4111	200
a3	-4850	-4915	200
a4	-4356	-4991	300
a5	3166	-5581	300
a6	3665	-5583	200
a7	4800	-4948	200
a8	5060	-4521	300
f1	4684	5943	1300
f2	-6086	4956	1300



Section a1~4, a5~8



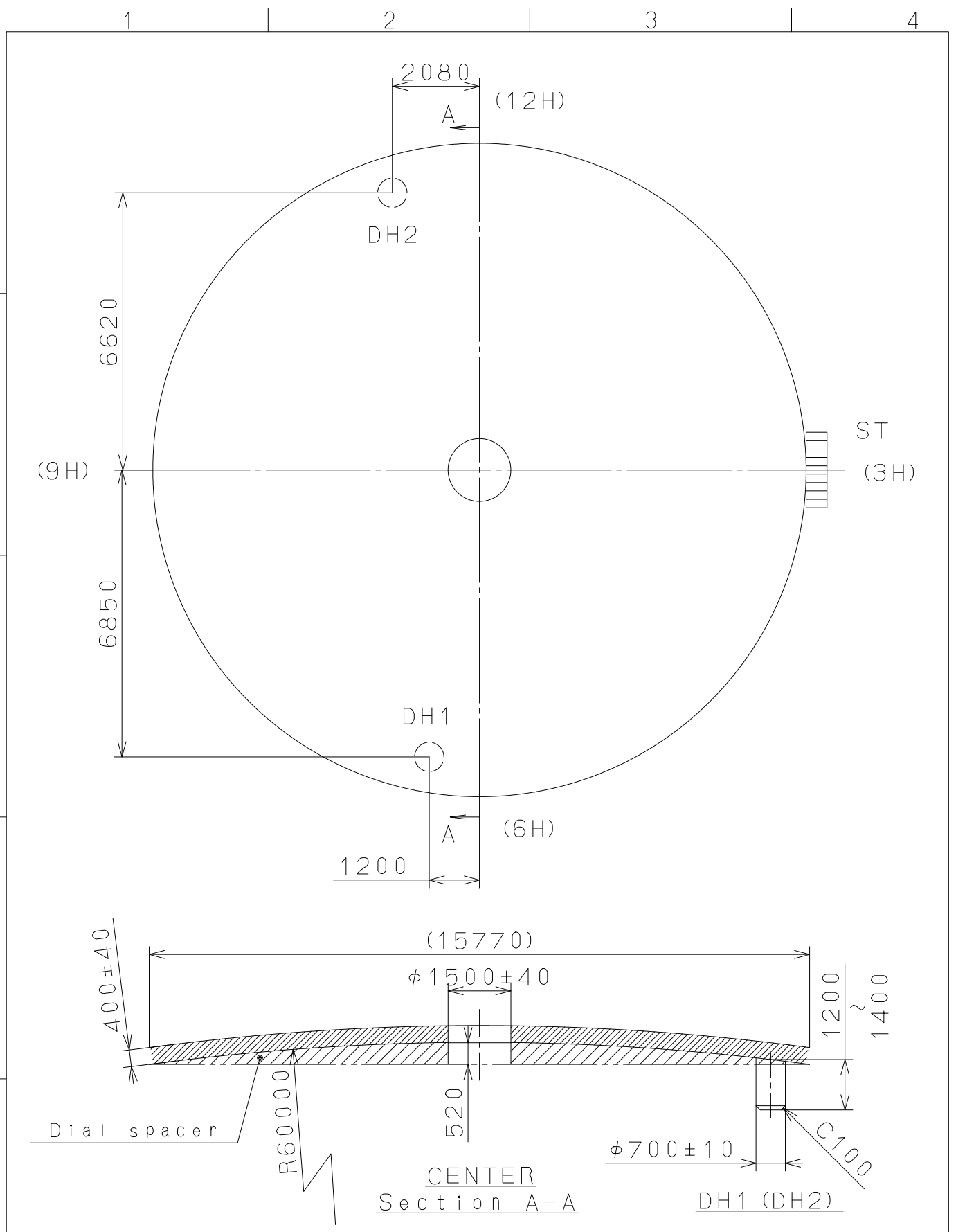
Section f1, f2



Material	Alterations	Mark	Date	Description	Appr.	Checked	Drawn	D. Yamada	Name:	Frame for Case
Heat Treatment										Drawing No.: 5Y3600C0
Hardness										
Plating										
Quantity	Unit	Cal. NO.:								
1	1/1000 mm	5Y36								
Scale	1:1	Parts No.:								
Date										
Drawn										
Checked										
Approved										
General Tolerances										
Dimensions										
Angles										

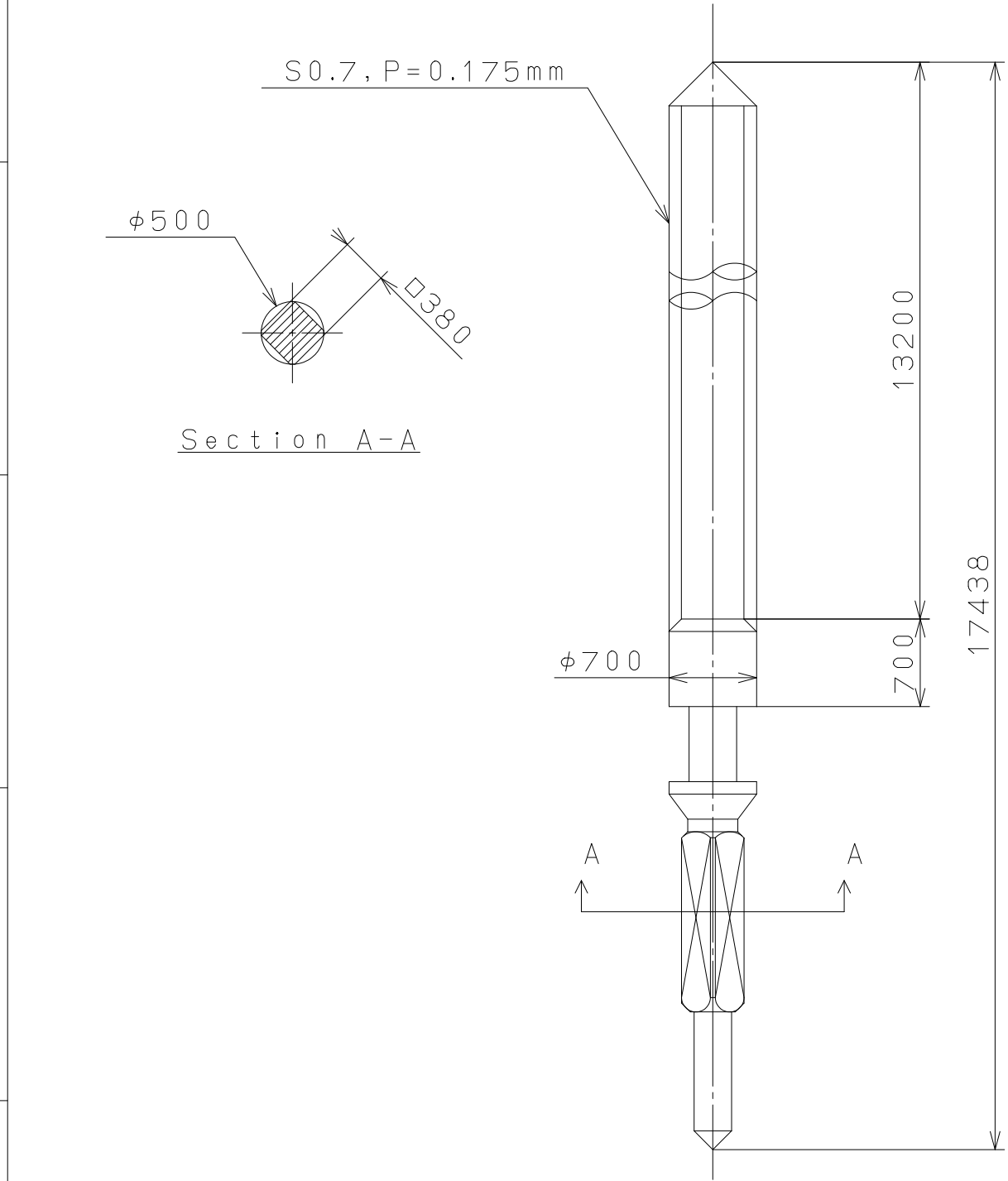
MIYOTA
CITIZEN WATCH CO., LTD. TOKYO, JAPAN

This drawing is provisional and subject to our reconfirmation and/or revision without notice.



△			Quantity		Cal.NO.:
△			Unit	1 / 1000 mm	5Y36-10A
△			Scale	8 : 1	Parts No.:
△			Date		
△			Drawn		
Mark	Date	Description	Appr.	Checked	Name:
		Alterations	Approved	D. Yamada	Indications for Dial
Material					Drawing No.: 5Y3600D0
Heat Treatment			General Tolerances		MIYOTA
Hardness			Dimensions		
Plating			Angles		
					CITIZEN WATCH CO., LTD. TOKYO, JAPAN

This drawing is provisional and subject to our reconfirmation and/or revision without notice.



△5			Quantity		Cal.NO.:
△4			Unit	1/1000mm	
△3			Scale	20:1	Parts No.:
△2			Date		065-403
△1			Drawn		
Mark	Date	Description	Appro.	Checked	D.Yamada
Alterations			Approved	Name: SETTING STEM	
Material					Drawing No.:403000S0
Heat Treatment					MIYOTA CITIZEN WATCH CO.,LTD. TOKYO,JAPAN
Hardness	General Tolerances				
Plating	Dimensions				
	Angles				