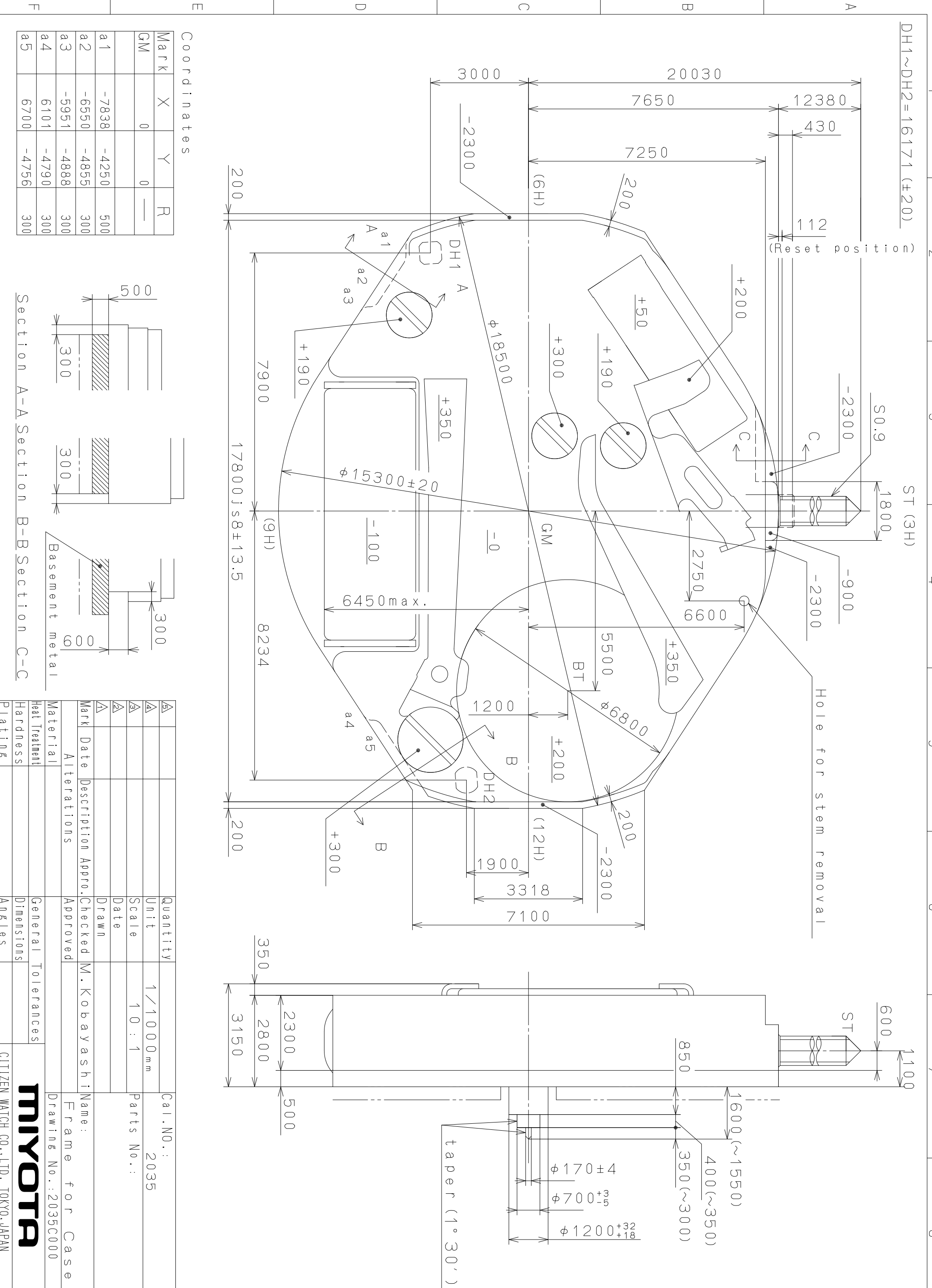
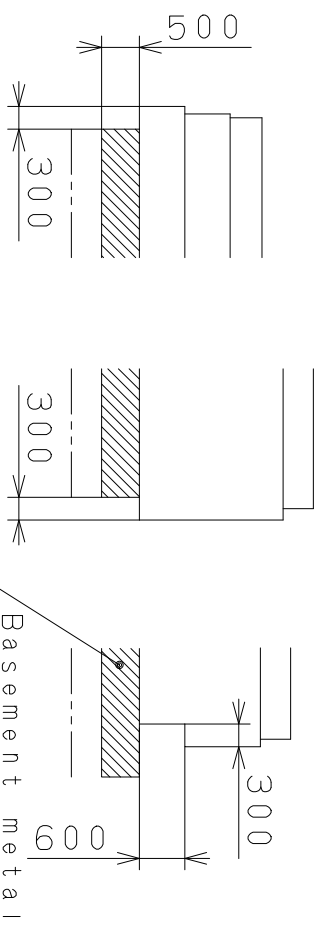


This drawing is provisional and subject to our reconfirmation and/or revision without notice.



Coordinates

Mark	X	Y	R
GM	0	0	—
a1	-7838	-4250	500
a2	-6550	-4855	300
a3	-5951	-4888	300
a4	6101	-4790	300
a5	6700	-4756	300



Mark	Date	Description	Appr.	Checked	Drawn	Quantity	Unit	Scale	Parts No.:
△5						1	1/1000 mm	10:1	2035
△4									
△3									
△2									
△1									

Alterations

Material	Heat Treatment	Hardness	Plating

General Tolerances

Dimensions

Angles

Cal. NO.: 2035

Parts No.:

Name: M. Kobayashi

Frame for Case

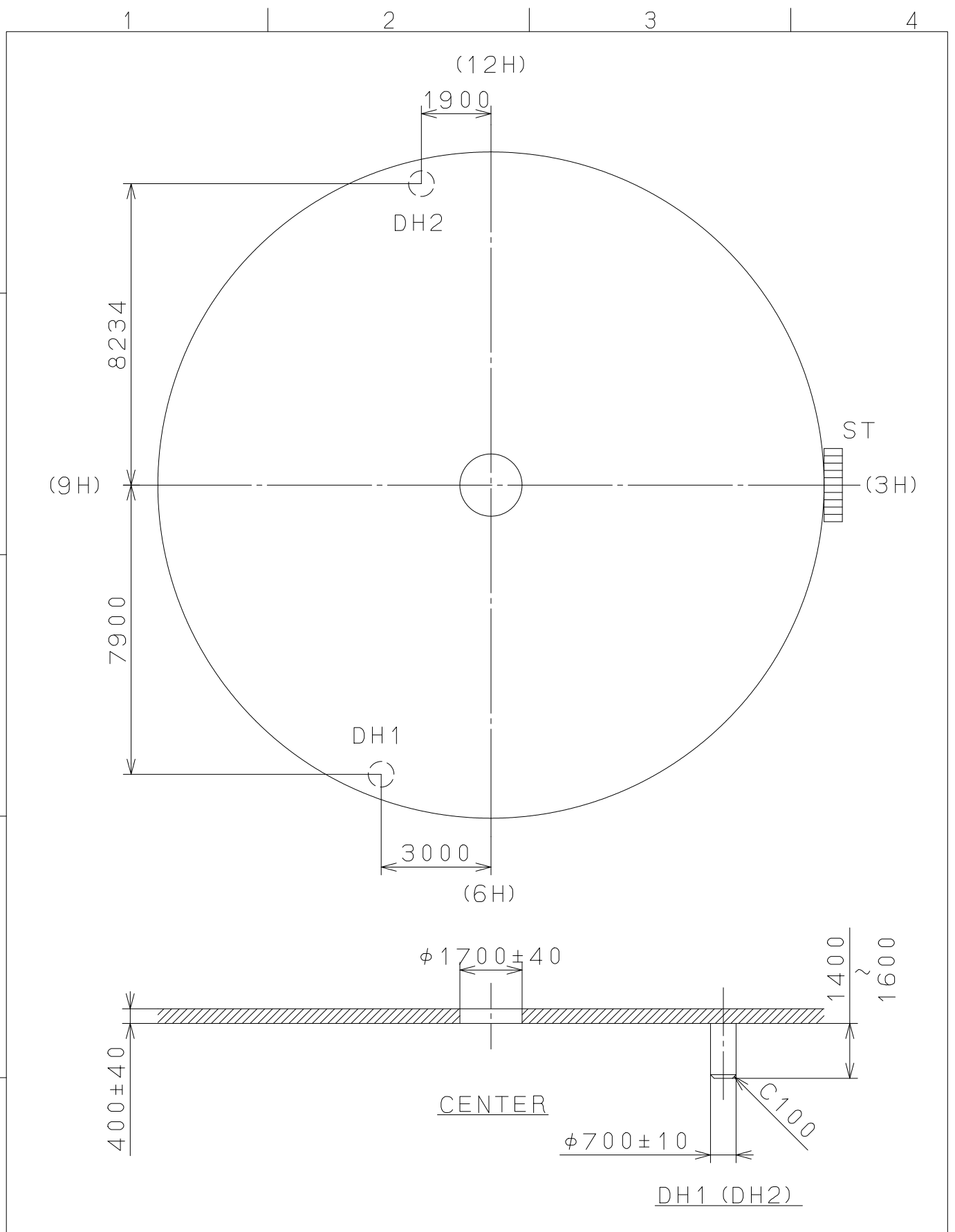
Drawing No.: 2035C000

MIYOTA

CITIZEN WATCH CO., LTD. TOKYO, JAPAN

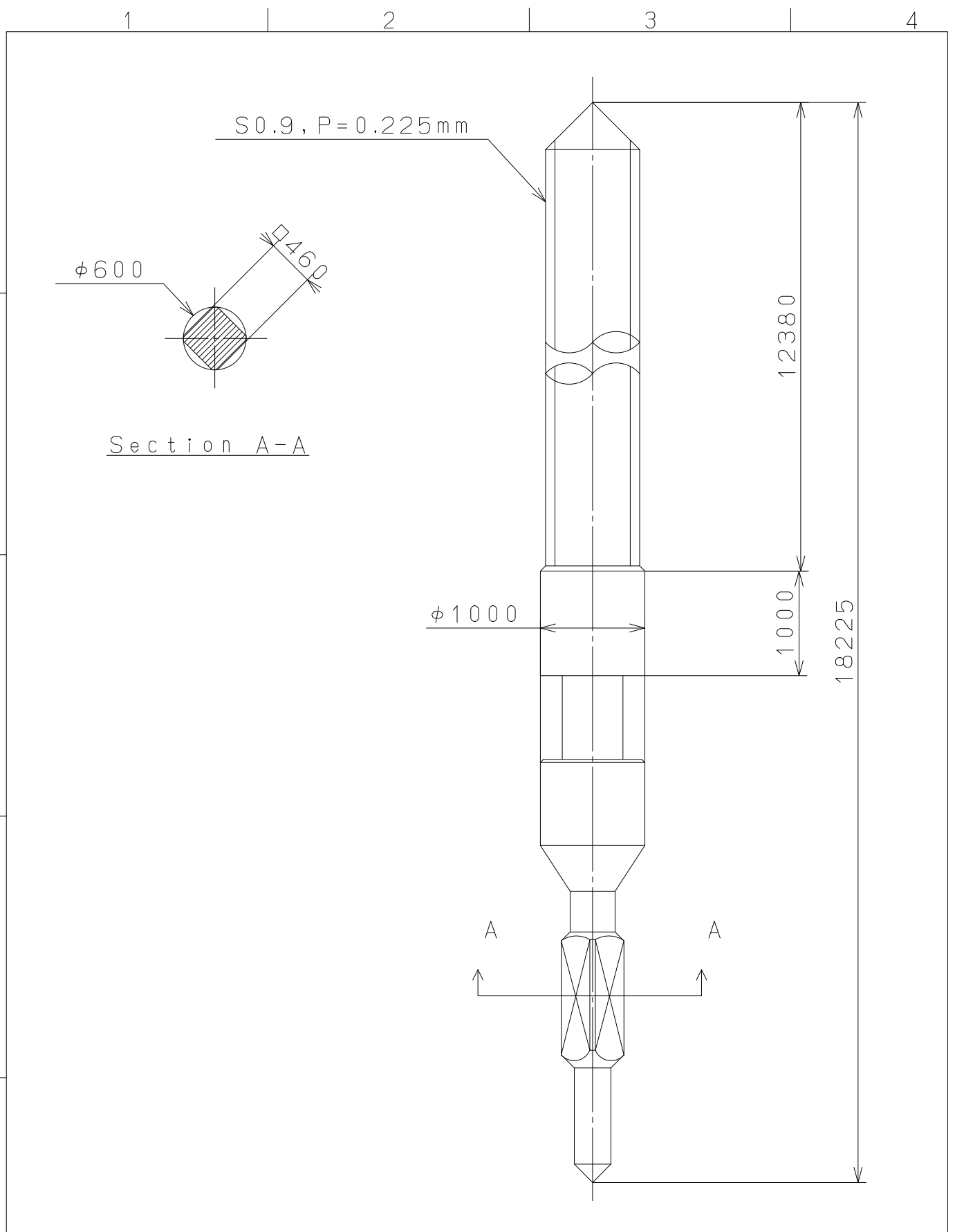
2009/08/21 (11:21:23)

This drawing is provisional and subject to our reconfirmation and/or revision without notice.



△			Quantity		Cal.NO.:
△			Unit	1/1000mm	2035-00A
△			Scale	7:1	Parts No.:
△			Date		
△			Drawn		
Mark	Date	Description	Appr.	Checked	Name:
		Alterations	Approved	T.Hiruta	Indications for Dial
Material					Drawing No.:2035D000
Heat Treatment			General Tolerances	MIYOTA CITIZEN WATCH CO.,LTD. TOKYO,JAPAN	
Hardness			Dimensions		
Plating			Angles		

This drawing is provisional and subject to our reconfirmation and/or revision without notice.



⑤			Quantity		Cal.NO.:
④			Unit	1 / 1000 mm	
③			Scale	20 : 1	Parts No.:
②			Date		065-468
①			Drawn		
Mark	Date	Description	Appro.	Checked	M. Kobayashi
Alterations			Approved	Name:	
					SETTING STEM
Material					Drawing No.: 4680S001
Heat Treatment					MIYOTA CITIZEN WATCH CO., LTD. TOKYO, JAPAN
Hardness	General Tolerances				
Plating	Dimensions				
	Angles				