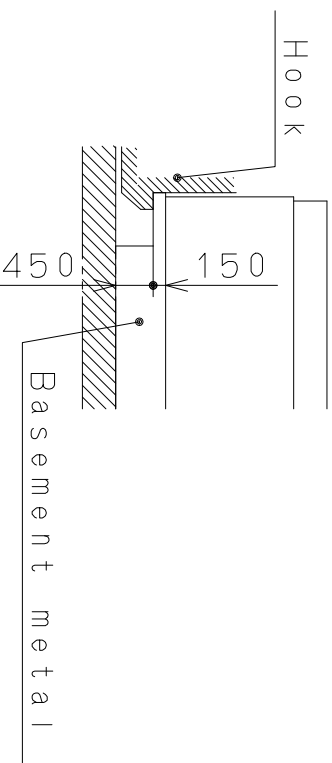
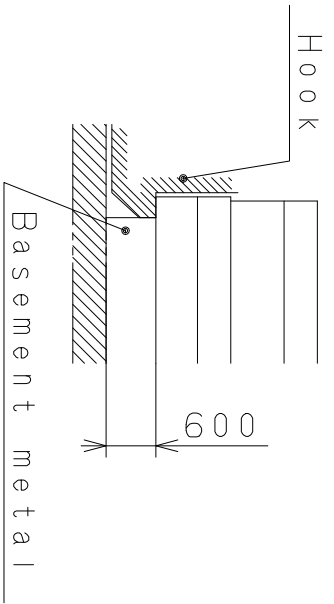
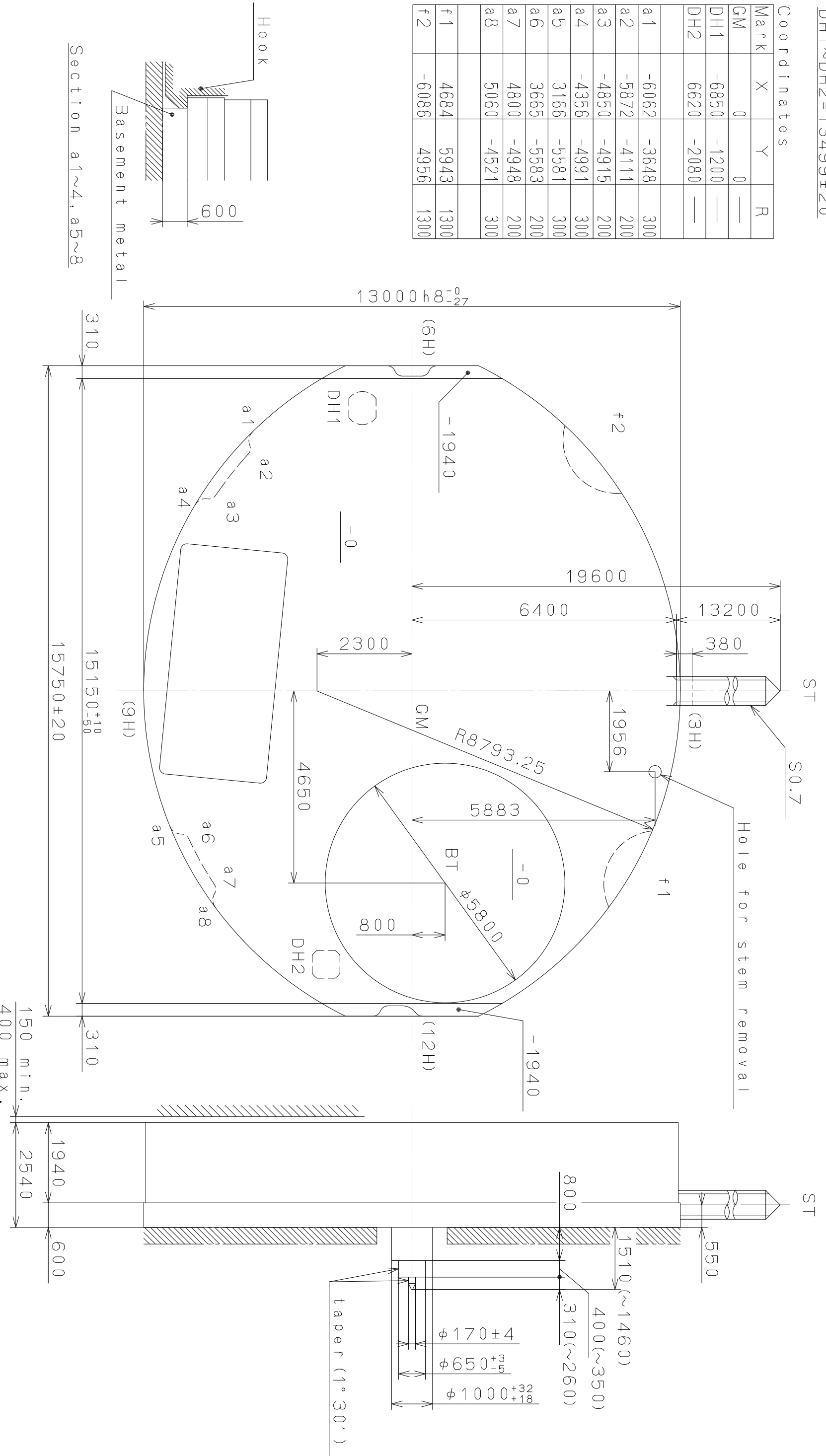


This drawing is provisional and subject to our reconfirmation and/or revision without notice.

DH1~DH2=13499±20

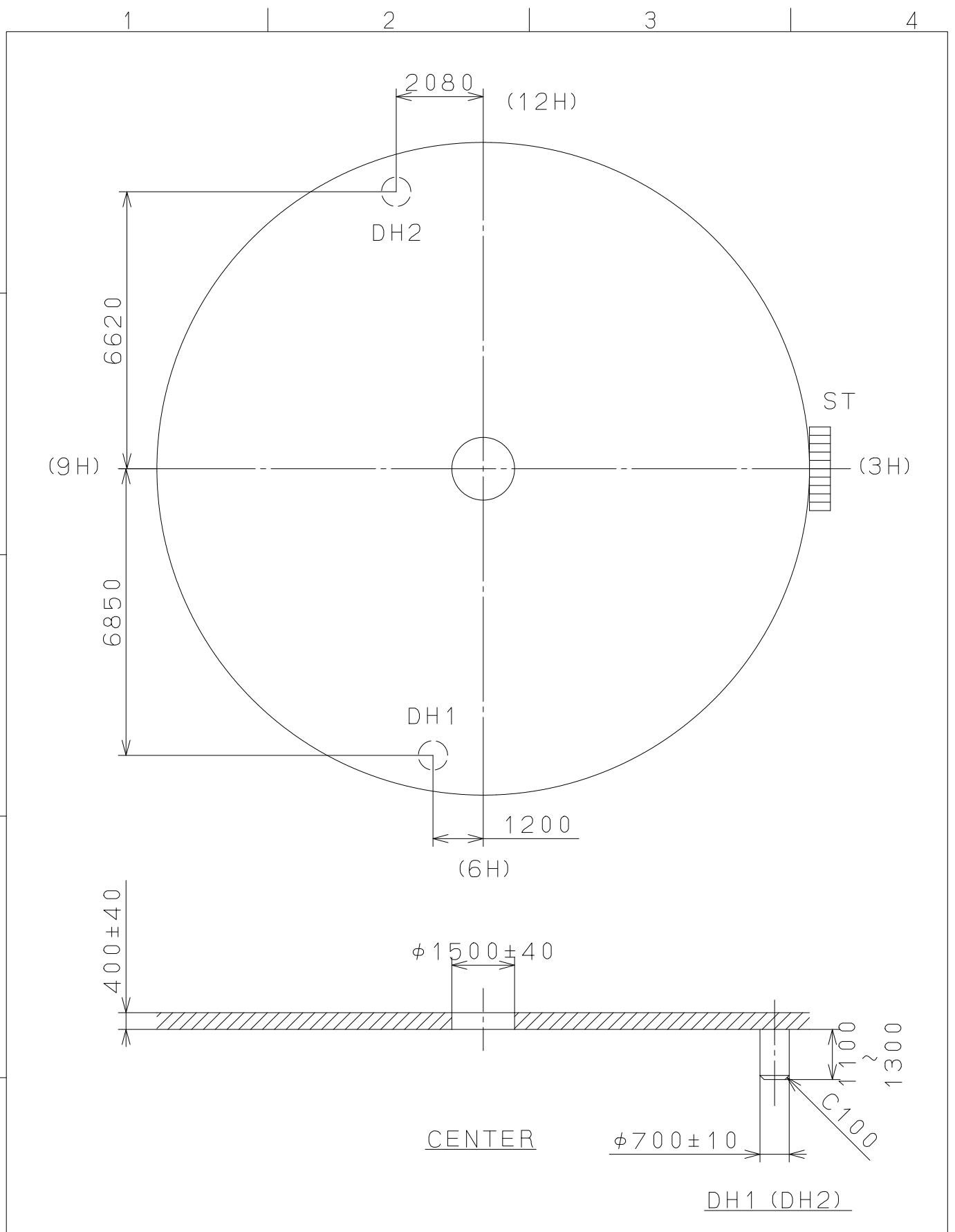
Coordinates

Mark	X	Y	R
GM	0	0	—
DH1	-6850	-1200	—
DH2	6620	-2080	—
a1	-6062	-3648	300
a2	-5872	-4111	200
a3	-4850	-4915	200
a4	-4356	-4991	300
a5	3166	-5581	300
a6	3665	-5583	200
a7	4800	-4948	200
a8	5060	-4521	300
f1	4684	5943	1300
f2	-6086	4956	1300



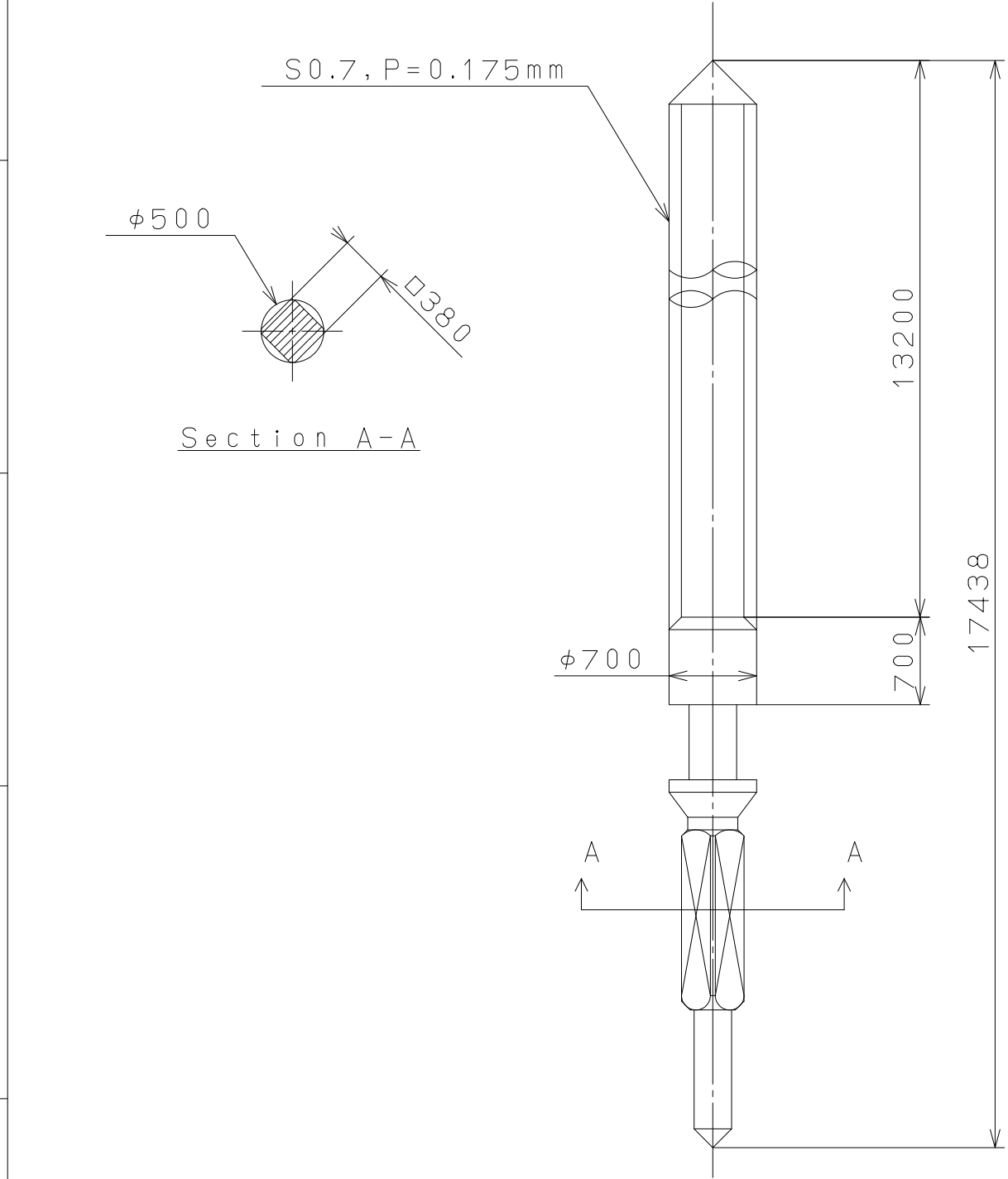
△	Quantity	1	Cal. No.:	5Y30
△	Unit	1/1000 mm	Parts No.:	
△	Scale	1:1		
△	Date			
△	Drawn			
Mark	Date	Description	Appro.	Checked
			D. Yamada	
Material	Alterations	Approved		
Heat Treatment				
Hardness				
Plating				
General Tolerances		Name: Frame for Case		
Dimensions		Drawing No.: 5Y3000C0		
Angles		Miyota		
		CITIZEN WATCH CO., LTD. TOKYO, JAPAN		

This drawing is provisional and subject to our reconfirmation and/or revision without notice.



△			Quantity		Cal.NO.:
△			Unit	1 / 1000 mm	5Y30-10G
△			Scale	8 : 1	Parts No.:
△			Date		
△			Drawn		
Mark	Date	Description	Appro.	Checked	Name:
		Alterations	Approved	D. Yamada	Indications for Dial
Material					Drawing No.: 5Y3000D0
Heat Treatment			General Tolerances		<b>MIYOTA</b>
Hardness			Dimensions		
Plating			Angles		
					CITIZEN WATCH CO., LTD. TOKYO, JAPAN

This drawing is provisional and subject to our reconfirmation and/or revision without notice.



△			Quantity		Cal.NO.:
△			Unit	1 / 1000 mm	
△			Scale	20 : 1	Parts No.:
△			Date		065-403
△			Drawn		
Mark	Date	Description	Appro.	Checked	D. Yamada
Alterations			Approved	Name: SETTING STEM	
Material					Drawing No.: 403000S0
Heat Treatment					<b>MIYOTA</b>
Hardness					
Plating					
					CITIZEN WATCH CO., LTD. TOKYO, JAPAN