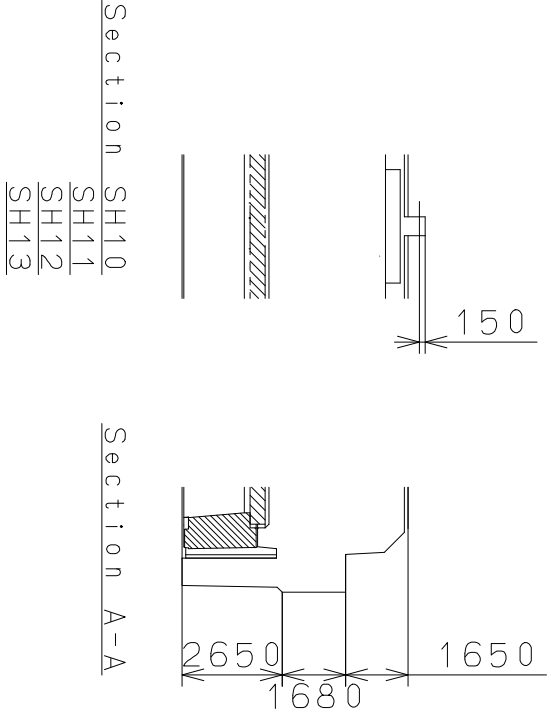


DH1~DH2=16171±50  
 DH3~DH4=22999±50 (Recommend)

Coordinates

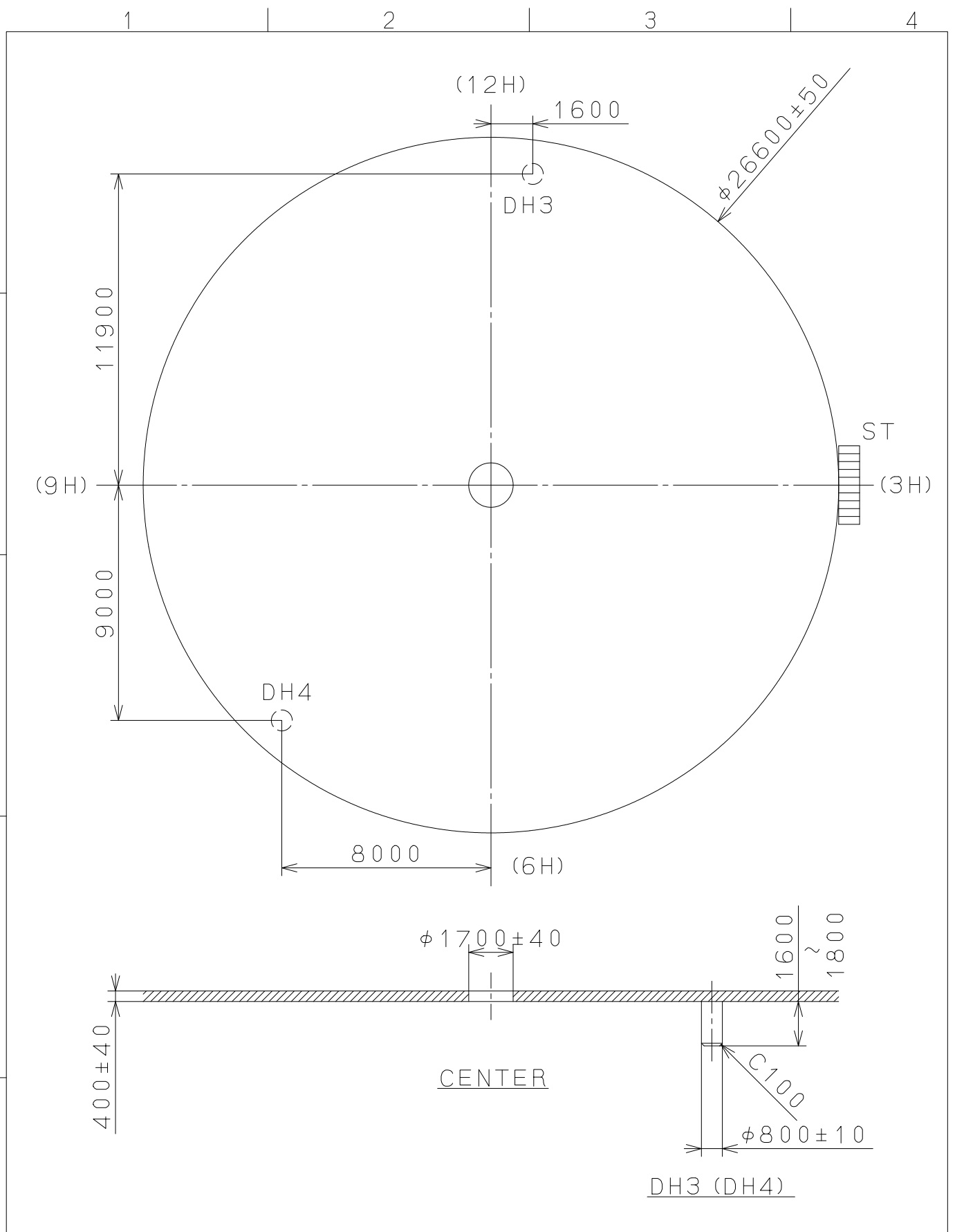
Mark	X	Y
DH1	-7900	-3000
DH2	8234	-1900
DH3	11900	1600
DH4	-9000	-8000
DH5	-2500	11400
DH6	2000	-11400
W10	-10200	-4800
W11	11000	-2550
H14	-380	3480



Material	Alterations	Date	Description	Appro.	Checked	M. Kobayashi	Name:	Frame for Case
Heat Treatment				Approved				Drawing No.: 2070C0CS
Hardness								
Plating								
Quantity	Unit	Scale	Date	Drawn	Checked	M. Kobayashi	Name:	Frame for Case
1	1/1000 mm	5 : 1						Drawing No.: 2070C0CS
Cal. NO.:	2070	Parts No.:						

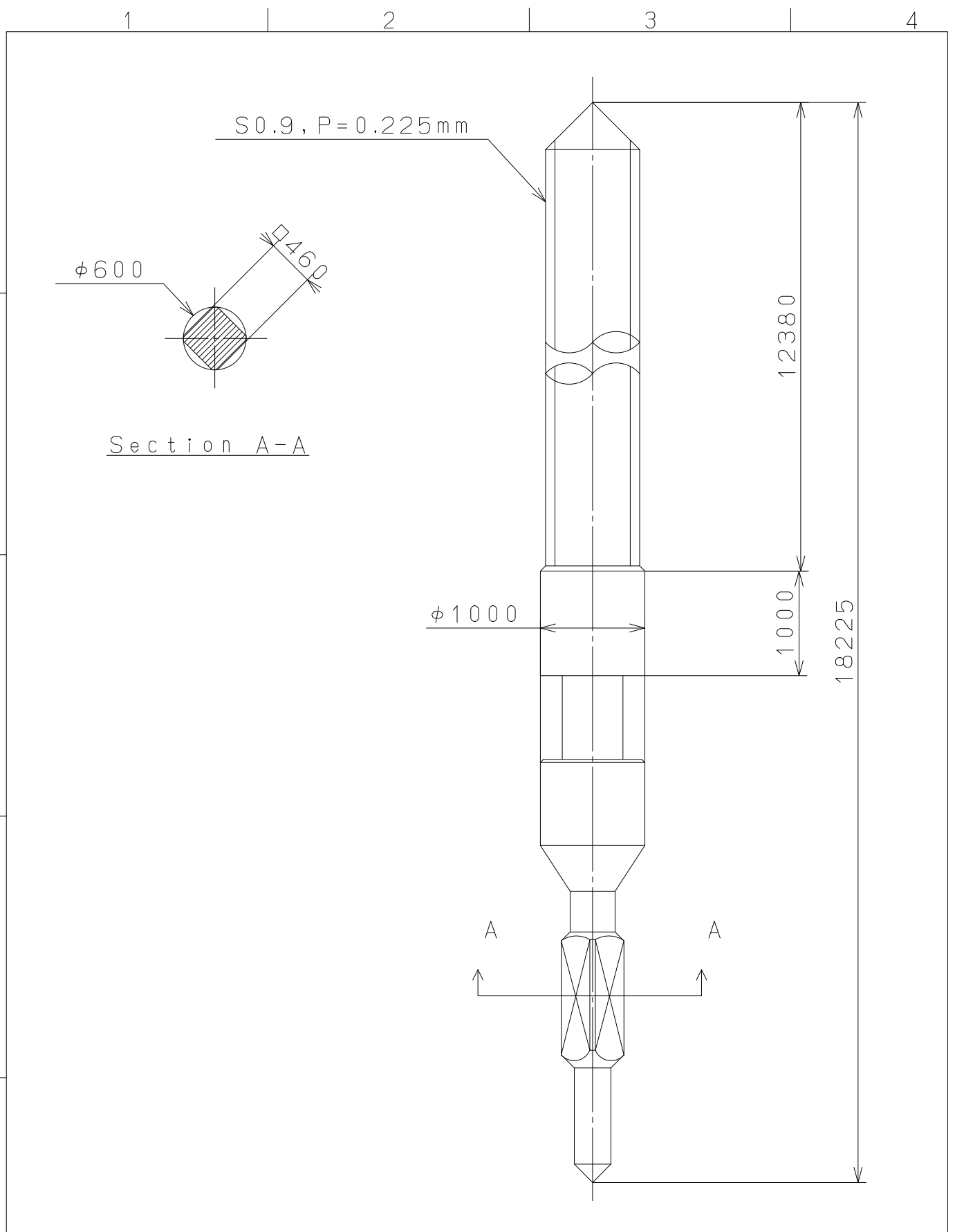
**MIYOTA**  
 CITIZEN WATCH CO., LTD. TOKYO, JAPAN

This drawing is provisional and subject to our reconfirmation and/or revision without notice.



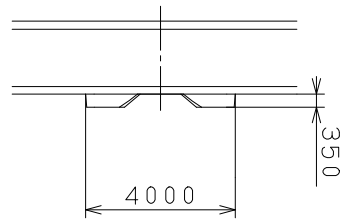
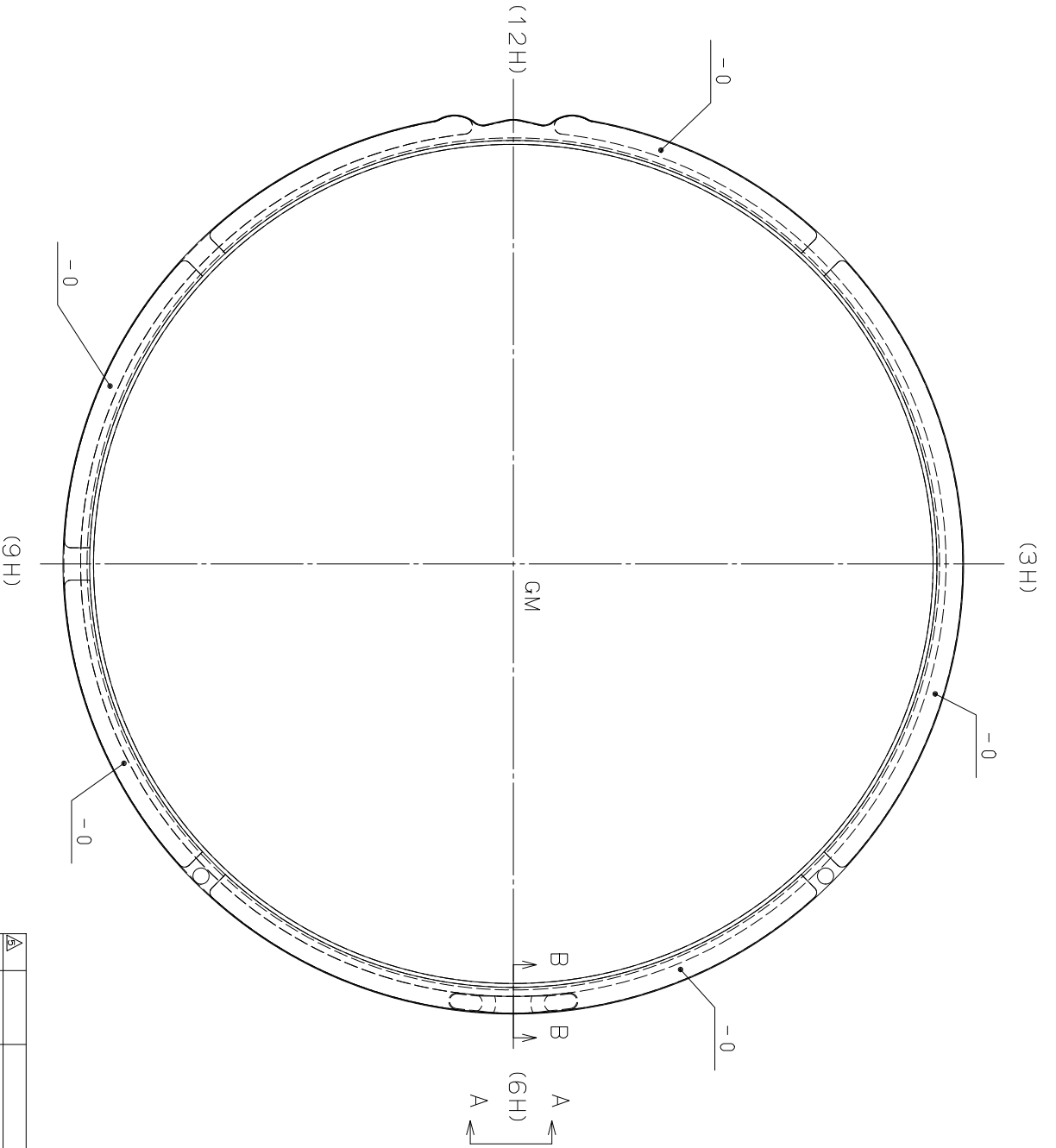
△			Quantity		Cal.NO.:
△			Unit	1 / 1000 mm	2070-00A
△			Scale	5 : 1	Parts No.:
△			Date		
△			Drawn		
Mark	Date	Description	Appr.	Checked M. Kobayashi	Name:
Alterations			Approved		Indications for Dial
Material					Drawing No.: 2070D0BS
Heat Treatment					<b>MIYOTA</b> CITIZEN WATCH CO., LTD. TOKYO, JAPAN
Hardness					
Plating					

This drawing is provisional and subject to our reconfirmation and/or revision without notice.

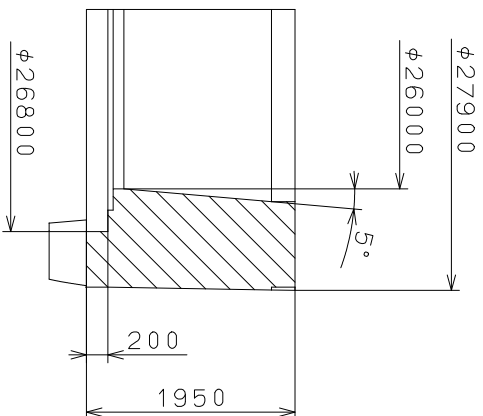


⑤			Quantity		Cal.NO.:
④			Unit	1 / 1000 mm	
③			Scale	20 : 1	Parts No.:
②			Date		065-468
①			Drawn		
Mark	Date	Description	Appro.	Checked	M. Kobayashi
Alterations			Approved	Name:	
					SETTING STEM
Material					Drawing No.: 4680S001
Heat Treatment					<b>MIYOTA</b> CITIZEN WATCH CO., LTD. TOKYO, JAPAN
Hardness	General Tolerances				
Plating	Dimensions				
	Angles				

This drawing is provisional and subject to our reconfirmation and/or revision without notice.



View A-A



Section B-B (20:1)

△	Quantity	1/1000 mm	Cal. NO.:
△	Unit	7:1	Parts No.:
△	Scale	110-726	Drawn
△	Date		Checked
△	Mark		Approved
△	Date		Approved
△	Material		Material
△	Heat Treatment		Heat Treatment
△	Hardness		Hardness
△	Plating		Plating
	General Tolerances		
	Dimensions		
	Angles		
	CITIZEN WATCH CO., LTD. TOKYO, JAPAN		
	<b>MIYOTA</b>		
	Dial trim ring		
	Drawing No.: 2070E000		
	Name: D. Yamada		