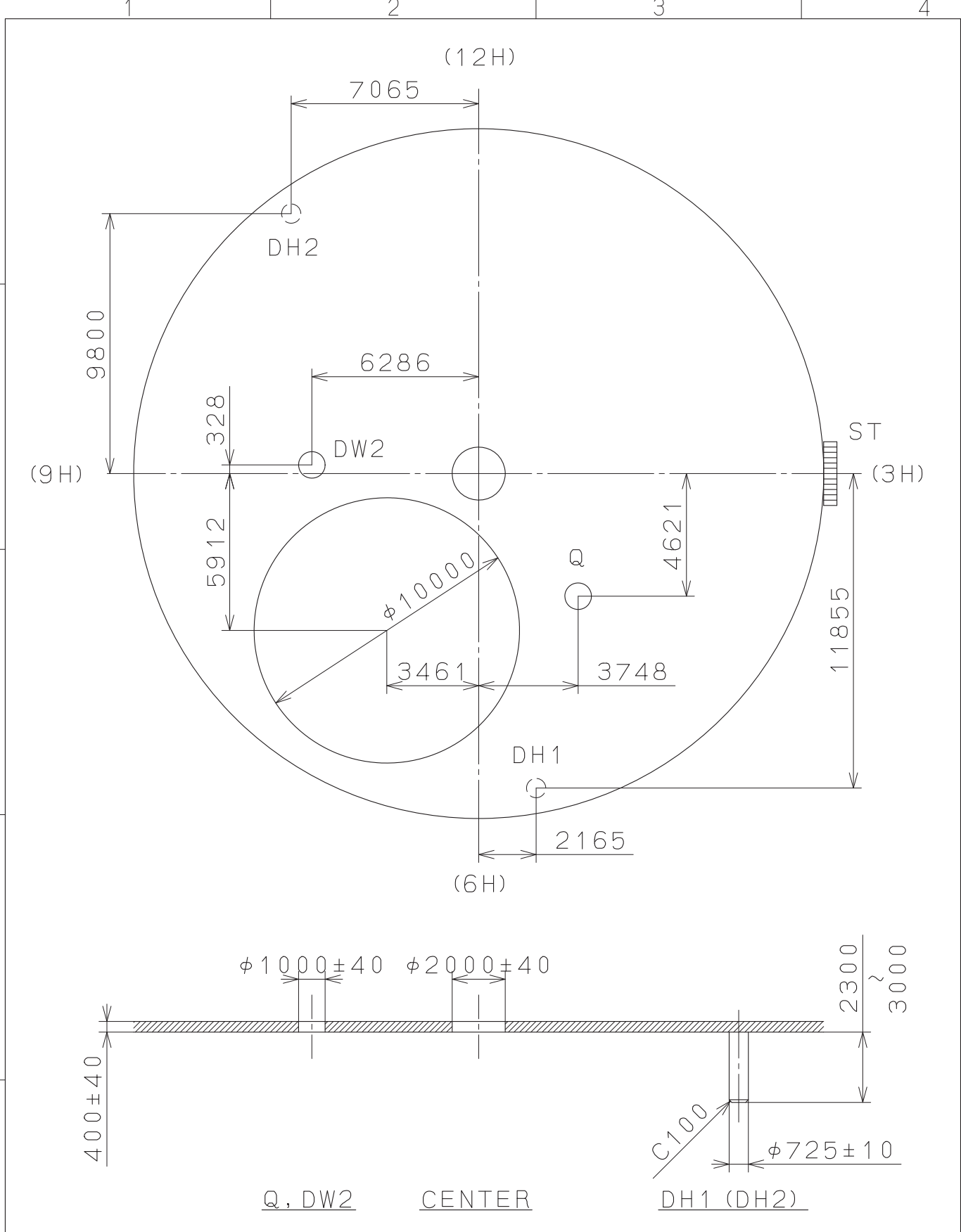


2007/10/30 (08:41:42)

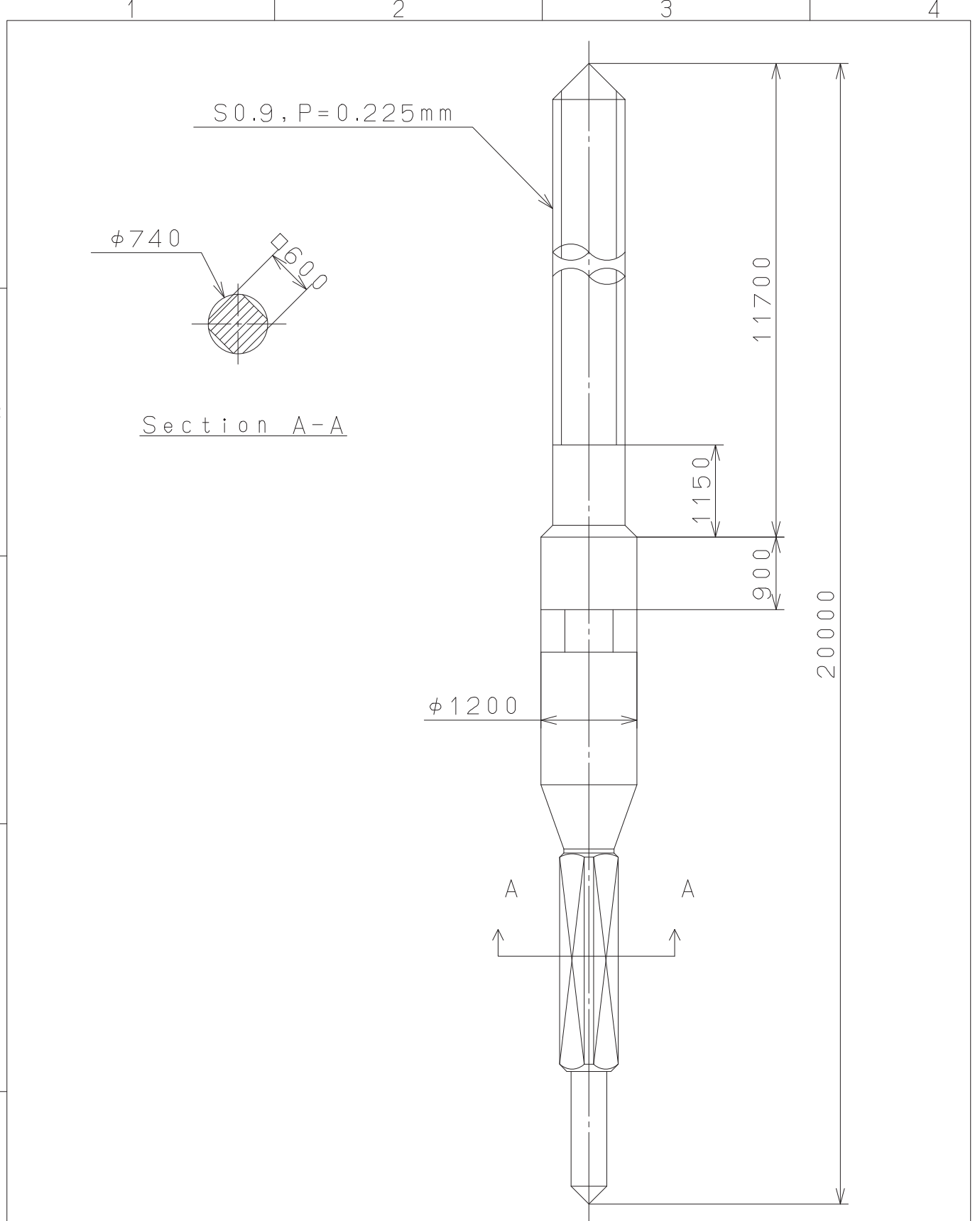
This drawing is provisional and subject to our reconfirmation and/or revision without notice.



⑤			Quantity		Cal. NO.:	82S7-43A
④			Unit	1 / 1000 mm		
③			Scale	5 : 1	Parts No.:	
②			Date			
①			Drawn			
Mark	Date	Description	Appr.	Checked	Name:	
		Alterations		Approved	Indications for Dial	
Material					Drawing No.: 82S7D000	
Heat Treatment						
Hardness						
Plating						
					CITIZEN WATCH CO., LTD. TOKYO, JAPAN	

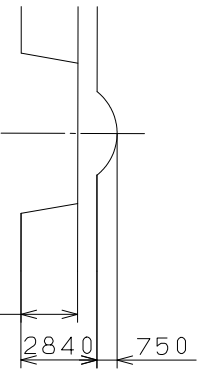
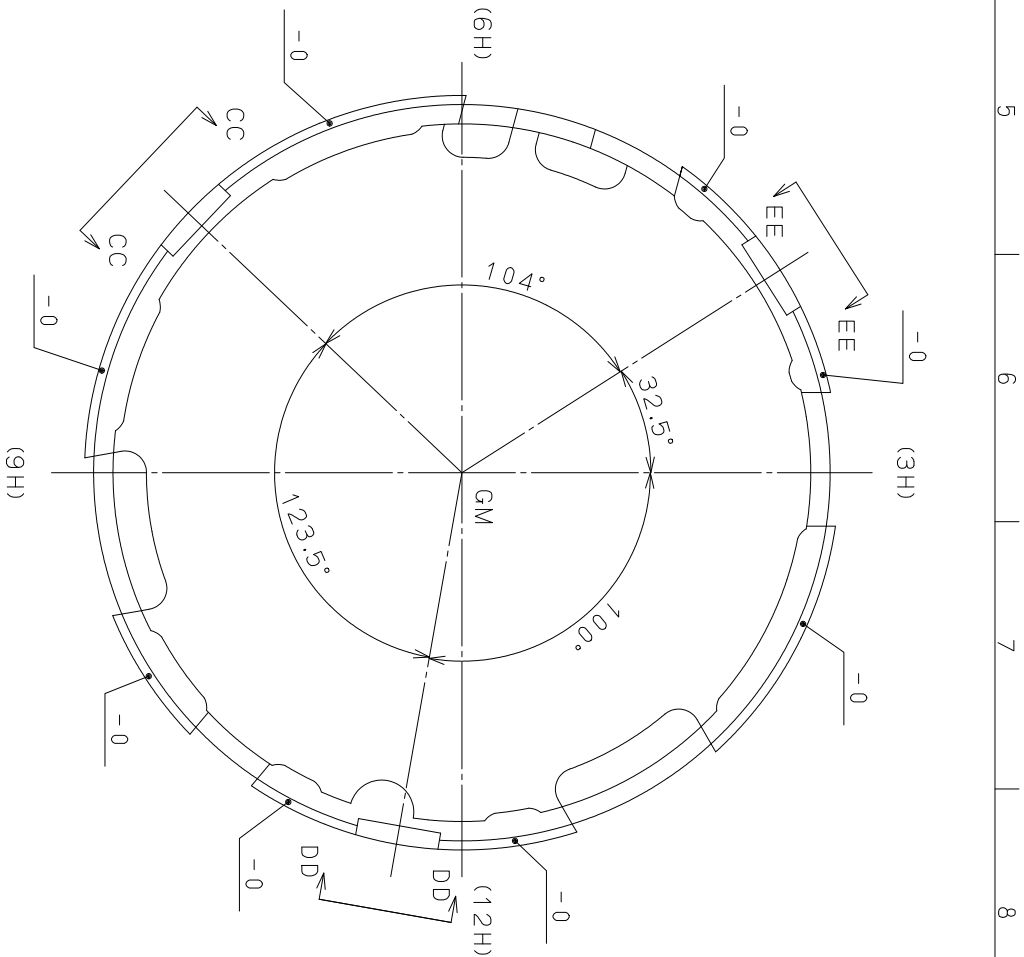
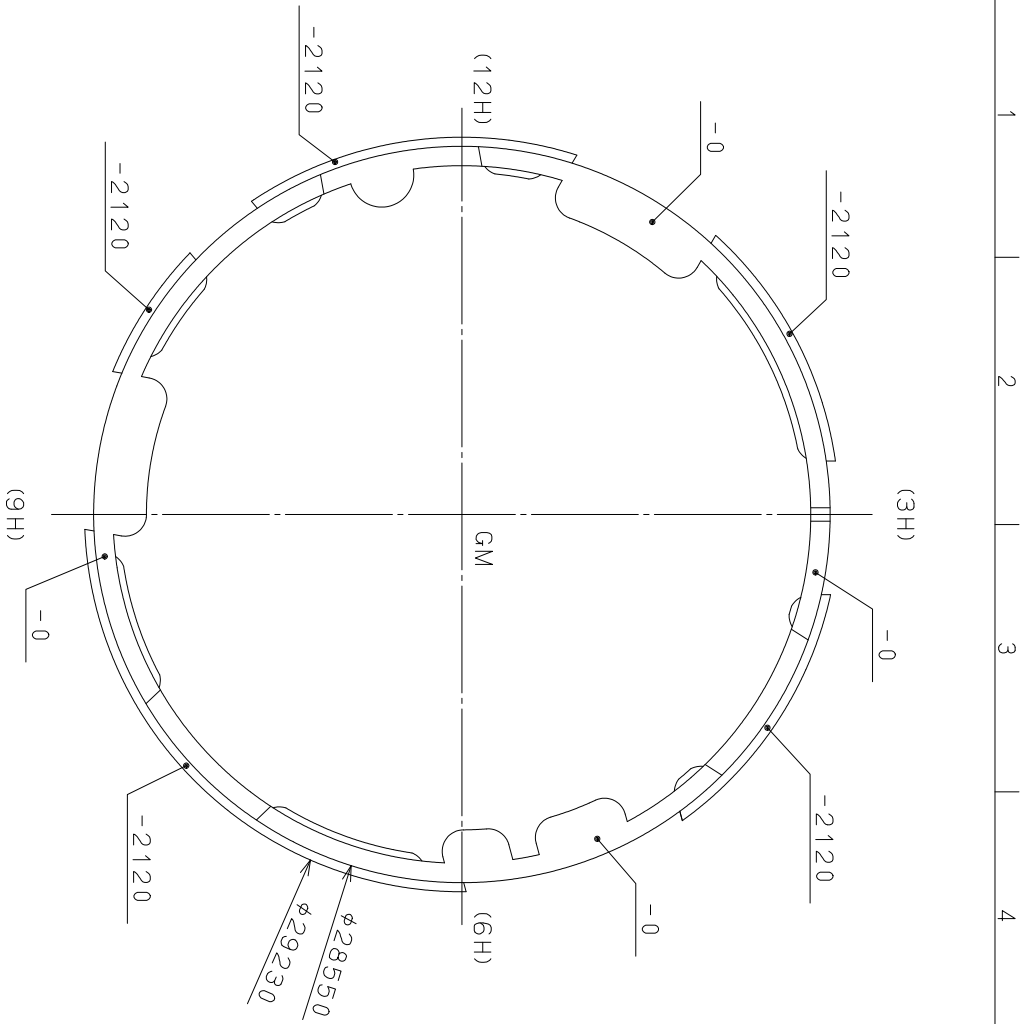
2008/11/14 (11:30:42)

This drawing is provisional and subject to our reconfirmation and/or revision without notice.



⑤			Quantity		Cal.NO.:
④			Unit	1/1000mm	
③			Scale	15:1	Parts No.:
②			Date		065-212
①			Drawn		
Mark	Date	Description	Appro.	Checked	Name:
		Alterations		Approved	SETTING STEM
Material					Drawing No.: 2120S001
Heat Treatment				General Tolerances	MIYOTA
Hardness				Dimensions	
Plating				Angles	
					CITIZEN WATCH CO., LTD. TOKYO, JAPAN

This drawing is provisional and subject to our reconfirmation and/or revision without notice.



View CC-CC
DD-DD, EE-EE

△	Quantity	1/1000 mm	Call. NO.:
△	Unit	5 : 1	Parts No.:
△	Scale	500-710	Drawn
△	Date		Checked
△	Drawn		Approved
Mark Date Description Appr. Checked		N. Suzuki	Name:
Alterations			Casing Holder
Material			Drawing No.: 8200E003
Heat Treatment			General Tolerances
Hardness			Dimensions
Plating			Angles
			CITIZEN WATCH CO., LTD. TOKYO, JAPAN

MIYOTA