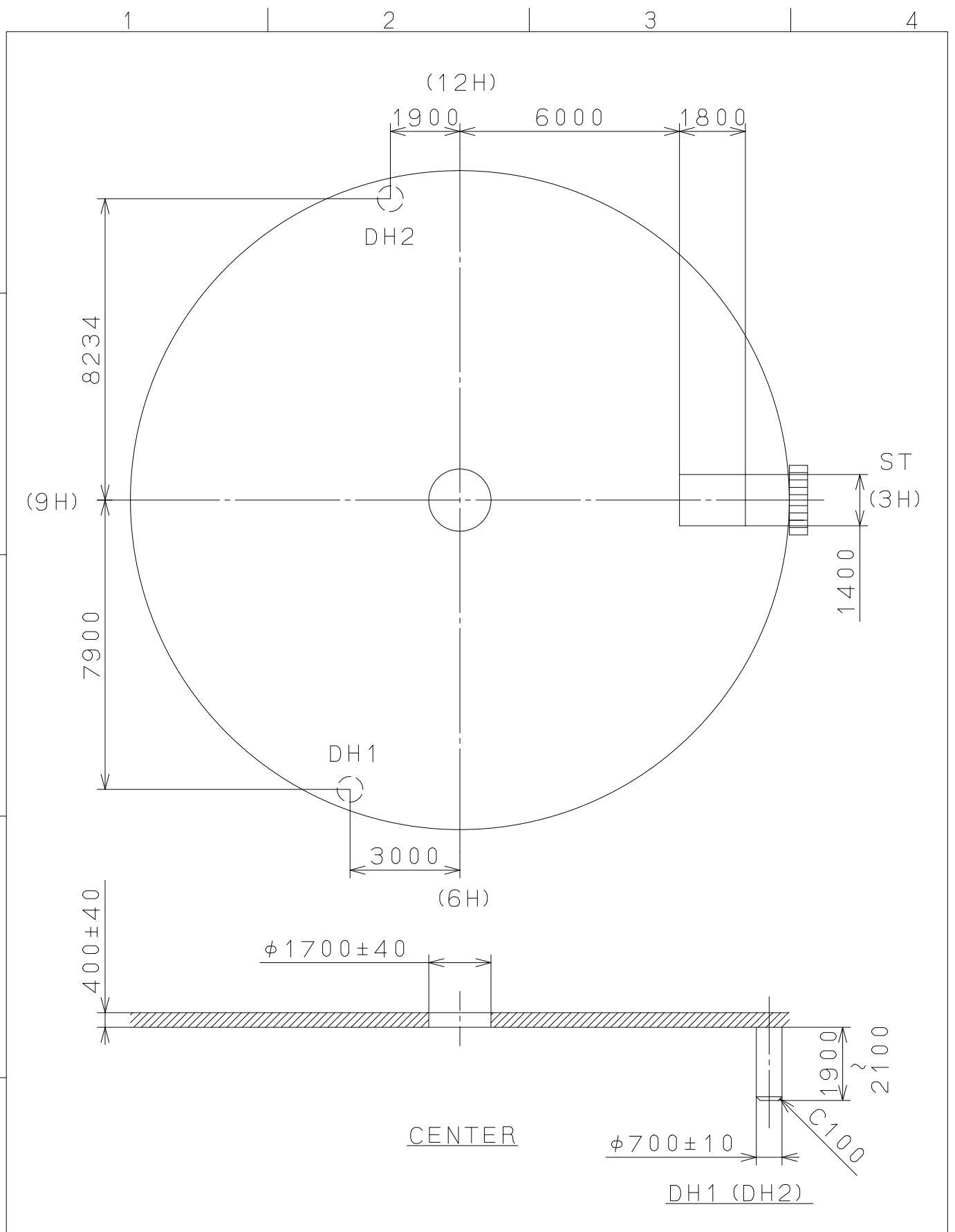




CONFIDENTIAL 2017/12/27 (09:06:41)

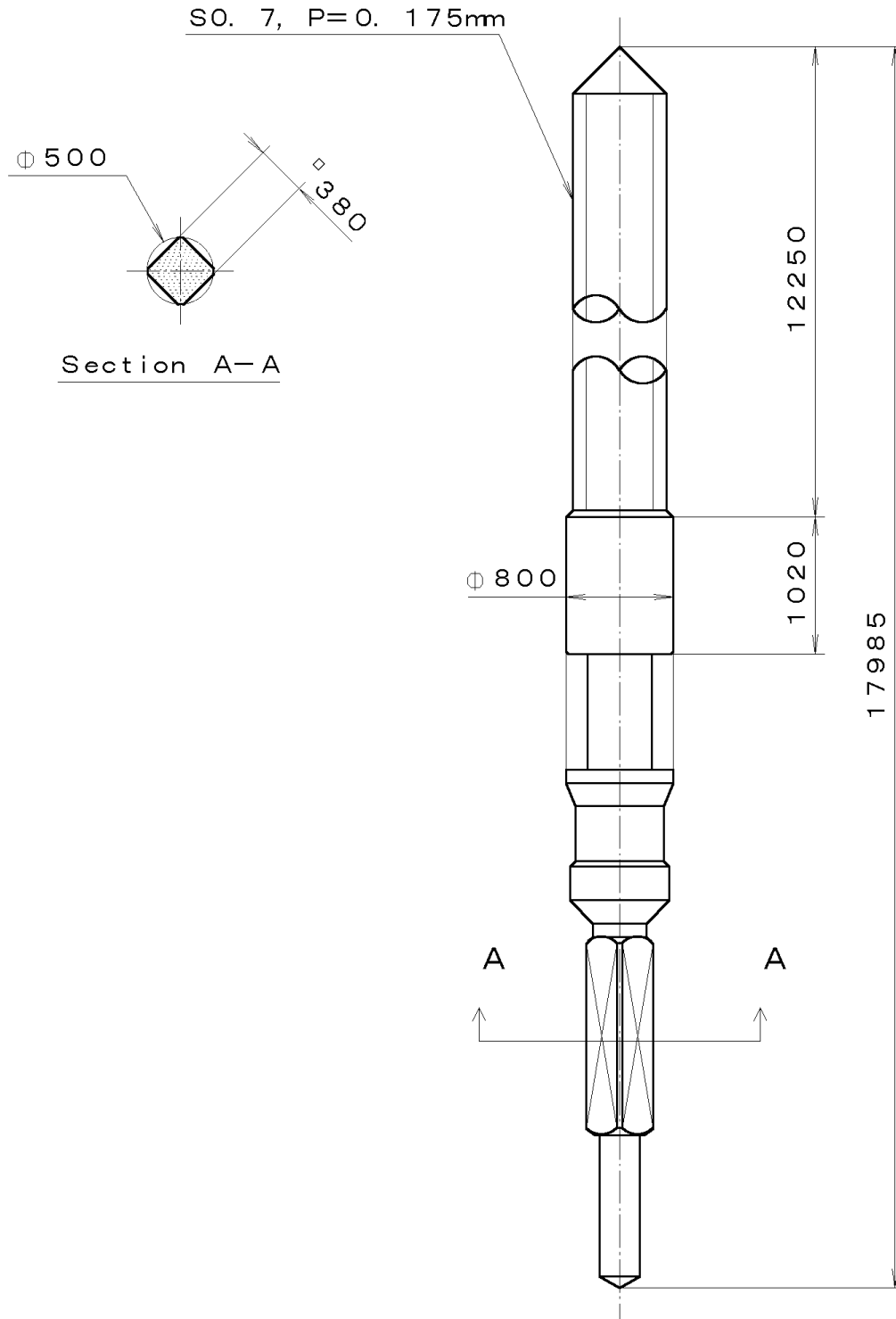
This drawing is provisional and subject to our reconfirmation and/or revision without notice.



△			Quantity		Cal.NO.:
△			Unit	1 / 1000 mm	9T15-00A
△			Scale	7 : 1	Parts No.:
△			Date		
△			Drawn		
Mark	Date	Description	Appr.	Checked M. Kobayashi	Name:
Alterations			Approved		Indications for Dial
Material					Drawing No.: 9T15D000
Heat Treatment	General Tolerances				<b>MIYOTA</b>
Hardness	Dimensions				
Plating	Angles				
					CITIZEN WATCH CO., LTD. TOKYO, JAPAN

This drawing is provisional and subject to our reconfirmation and/or revision without notice.

\*\*\* T I P W (01) \*\*\* (2100 1121 A-01 A-01 ) 00-06-22  
 065-495



7		Quantity		Ca l. No. :
6		Unit	1/1000 mm	Parts:
5		Scale	20:1	
4		Date		065-495
3		Drawn		
2		Checked	T. Hiruta	Name:
1		Approved		SETTING STEM
Material		SuS420F-DG		Drawing No. : 4950S000
Heat Treatment		焼入焼戻		<b>MIYOTA</b>
Hardness		HV550		
Plating		Angles		
		General Tolerances		
		Dimensions		