

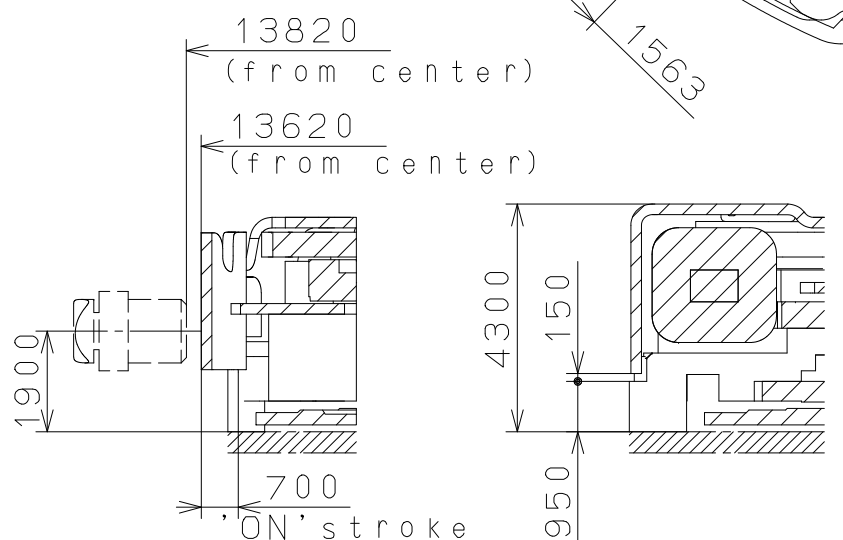
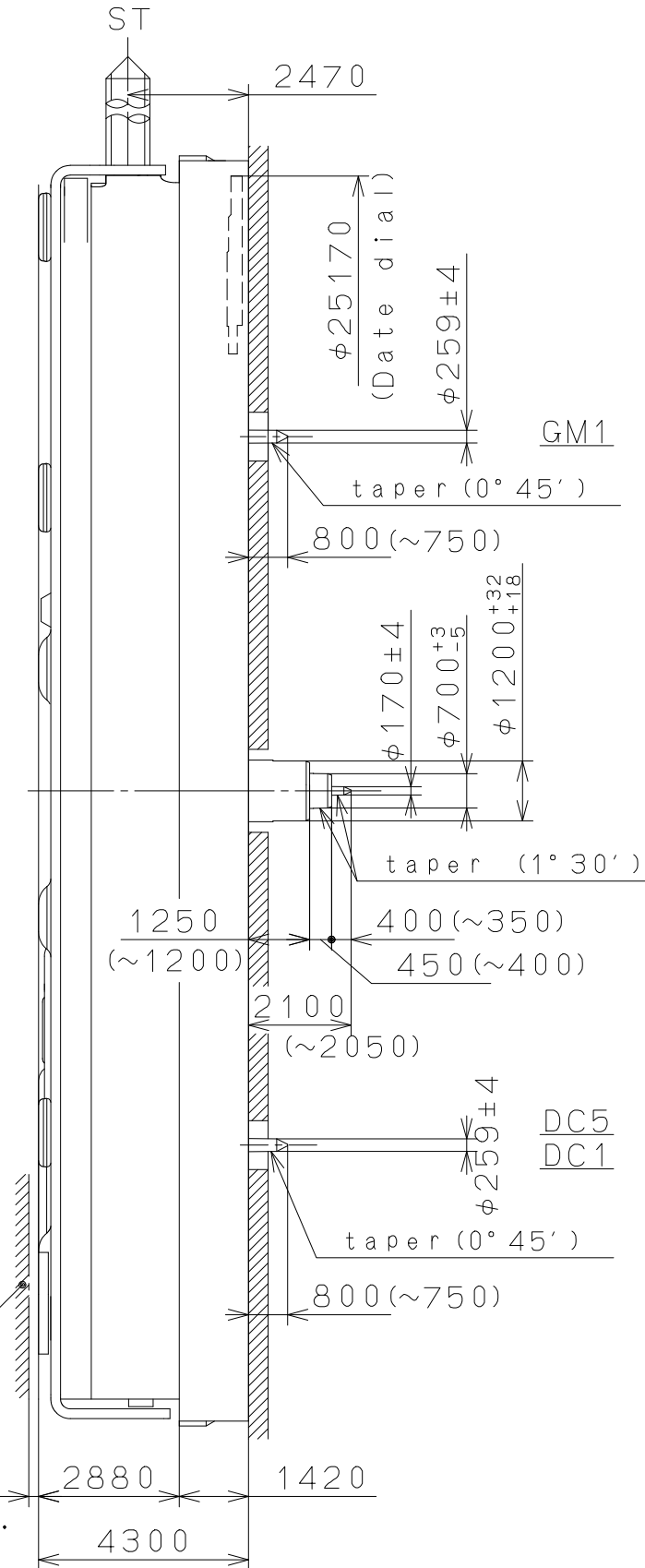
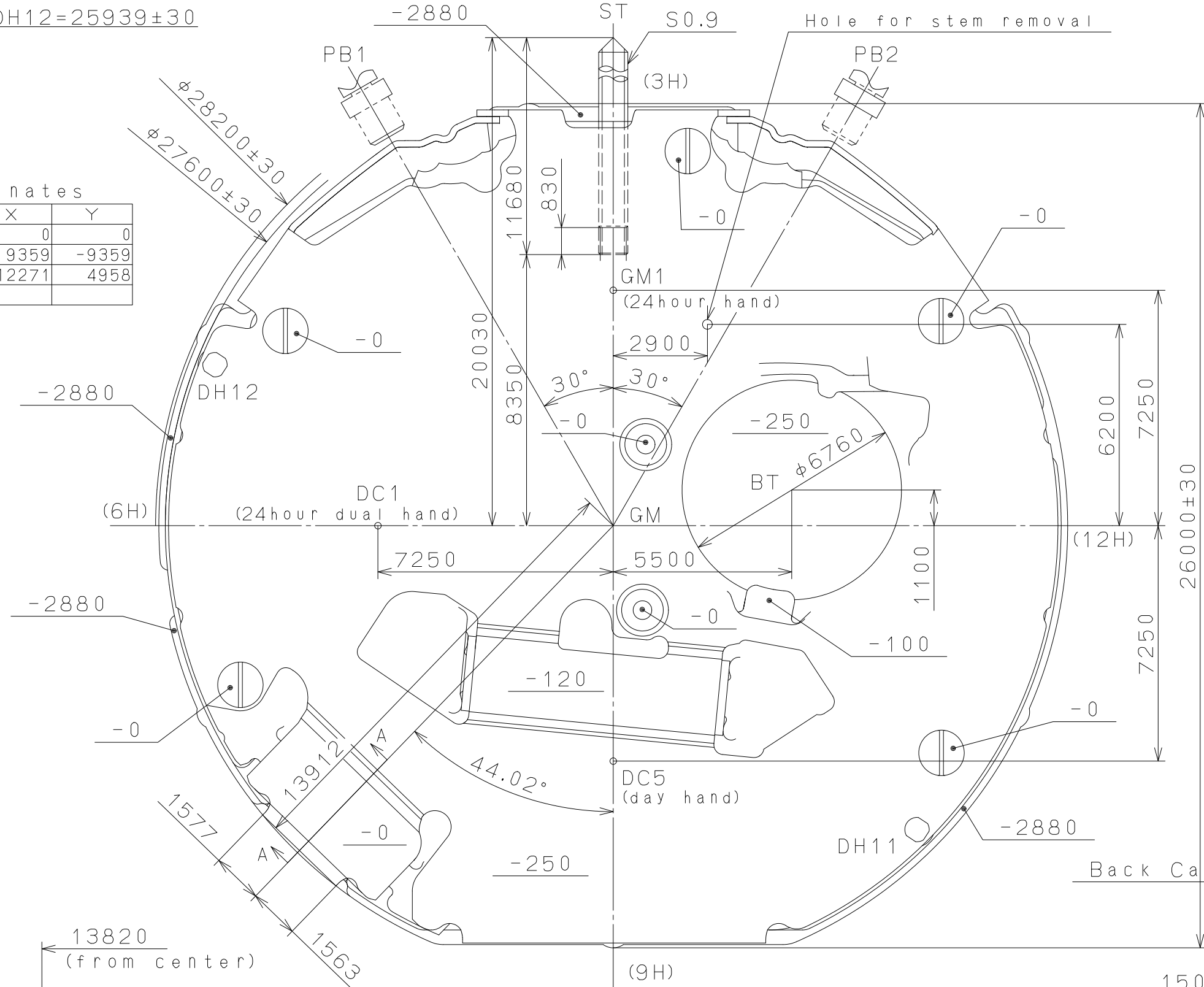
CONFIDENTIAL 2018/12/28 (17:07:59)

This drawing is provisional and subject to our reconfirmation and/or revision without notice.

DH11~DH12=25939±30

Coordinates

記号	X	Y
GM	0	0
DH11	9359	-9359
DH12	-12271	4958



Section PB1,2

Section A-A

△5		Quantity		Cal.NO.:	
△4		Unit	1/1000mm		JP25
△3		Scale	7:1	Parts No.:	
△2		Date			
△1		Drawn			
Mark	Date	Description	Appr.	Checked	M. Kobayashi
Alterations				Approved	
Material				Name:	
Heat Treatment				Frame for Case	
Hardness				Drawing No.:JP25C000	
Plating				General Tolerances	
				Dimensions	
				Angles	

MIYOTA

CITIZEN WATCH CO.,LTD. TOKYO, JAPAN