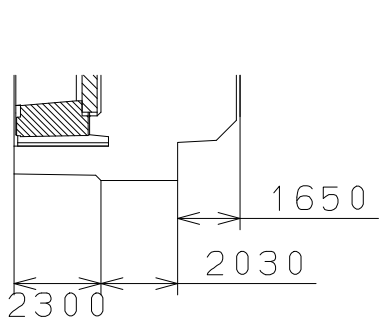


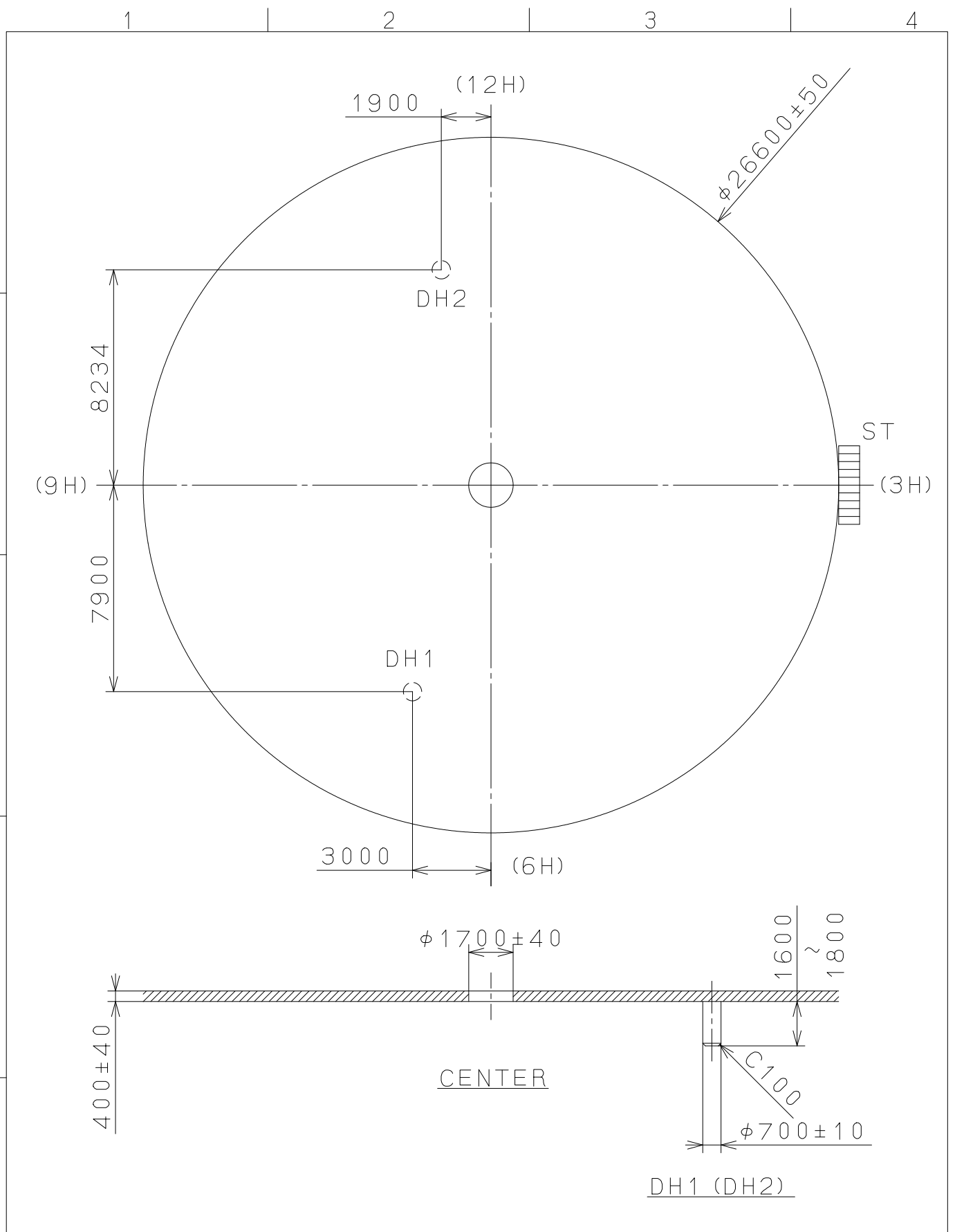
Coordinates

Mark	X	Y
DH1	-7900	-3000
DH2	8234	-1900
DH3	11900	1600
DH4	-9000	-8000
W10	-10200	-4800
W11	11000	-2550
H14	-380	3480



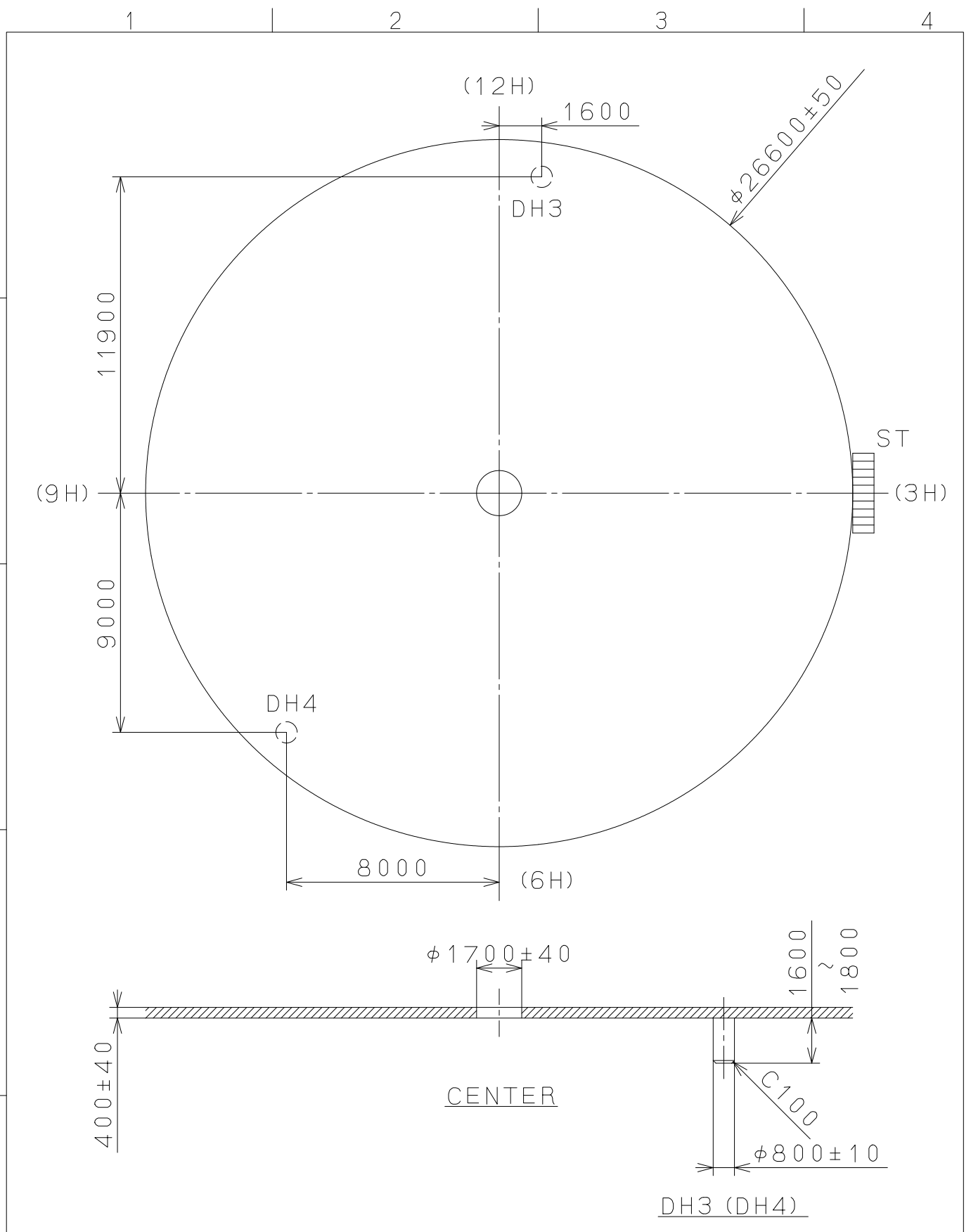
Material	Alterations	Quantity	Unit	Cal. NO.:
Heat Treatment			1/1000 mm	2070
Hardness			Scale	5 : 1
Plating			Date	
			Drawn	
			Checked	
			Approved	D. Yamada
				Name:
				Frame for Case
				Drawing No.: 207000C0
				MIYOTA
				CITIZEN WATCH CO., LTD. TOKYO, JAPAN

This drawing is provisional and subject to our reconfirmation and/or revision without notice.



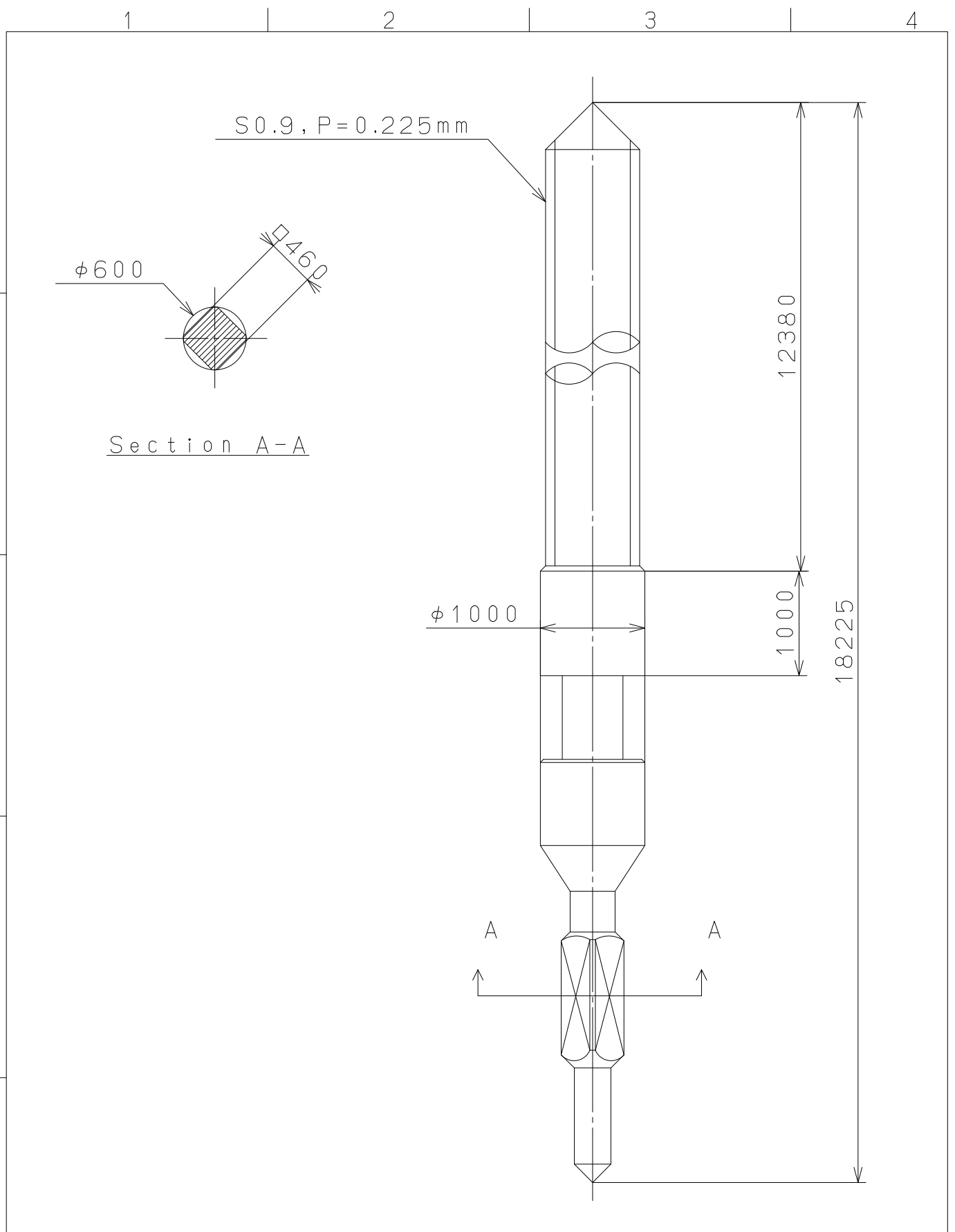
△5			Quantity		Cal.NO.:
△4			Unit	1 / 1000 mm	2070-00A
△3			Scale	5 : 1	Parts No.:
△2			Date		
△1			Drawn		
Mark	Date	Description	Appr.	Checked	Name:
		Alterations		Approved	D. Yamada
Material					Indications for Dial
Heat Treatment					Drawing No.: 207000D0
Hardness			General Tolerances		MIYOTA
Plating			Dimensions		
			Angles		CITIZEN WATCH CO., LTD. TOKYO, JAPAN

This drawing is provisional and subject to our reconfirmation and/or revision without notice.



△			Quantity		Cal.NO.:
△			Unit	1/1000mm	2070-00A
△			Scale	5:1	Parts No.:
△			Date		
△			Drawn		
Mark	Date	Description	Appro.	Checked	Name:
		Alterations	Approved	D. Yamada	Indications for Dial
Material					Drawing No.:207001D0
Heat Treatment			General Tolerances		MIYOTA
Hardness			Dimensions		
Plating			Angles		
					CITIZEN WATCH CO.,LTD. TOKYO,JAPAN

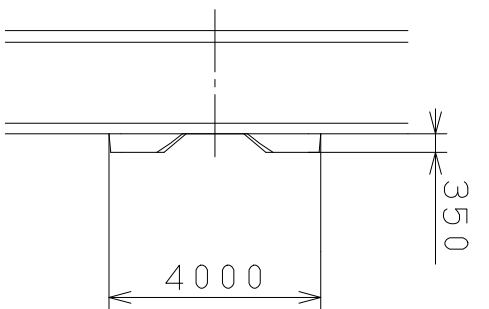
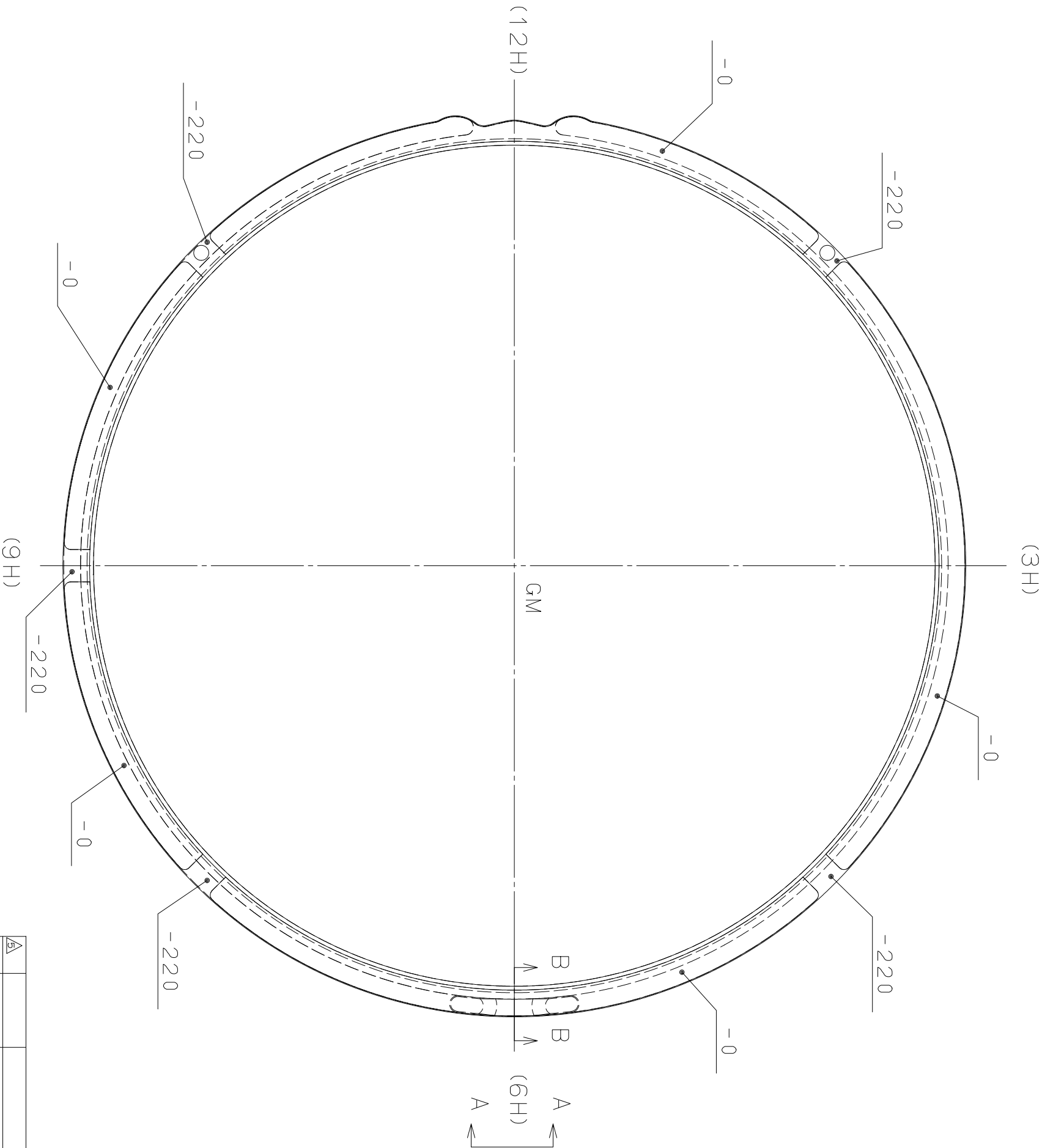
This drawing is provisional and subject to our reconfirmation and/or revision without notice.



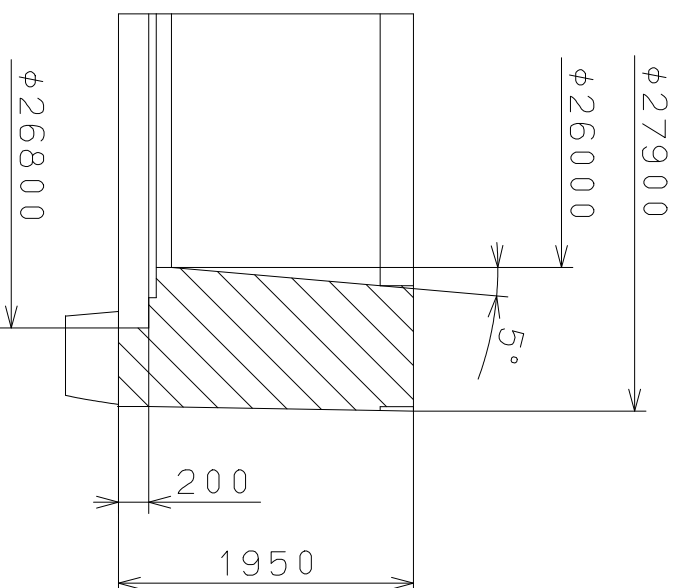
△5			Quantity		Cal.NO.:
△4			Unit	1 / 1000 mm	
△3			Scale	20 : 1	Parts No.:
△2			Date		065-468
△1			Drawn		
Mark	Date	Description	Appro.	Checked	D. Yamada
Alterations			Approved	Name: SETTING STEM	
Material					Drawing No.: 468000S0
Heat Treatment					MIYOTA CITIZEN WATCH CO., LTD. TOKYO, JAPAN
Hardness					
Plating					

F E D C B A

1 2 3 4 5 6 7 8



View A-A



Section B-B (20:1)

Quantity	1/1000 mm	Cal. NO.:	2070
Unit	mm	Parts No.:	110-726
Scale	7:1	Name:	Dial trim ring
Date		Checked	D. Yamada
Date		Approved	
Drawn		Alterations	
Mark		Date	
Material		Description	
Heat Treatment		Approved	
Hardness		Material	
Plating		General Tolerances	
		Dimensions	
		Angles	

MIYOTA

CITIZEN WATCH CO., LTD. TOKYO, JAPAN

Drawing No.: 207000E0