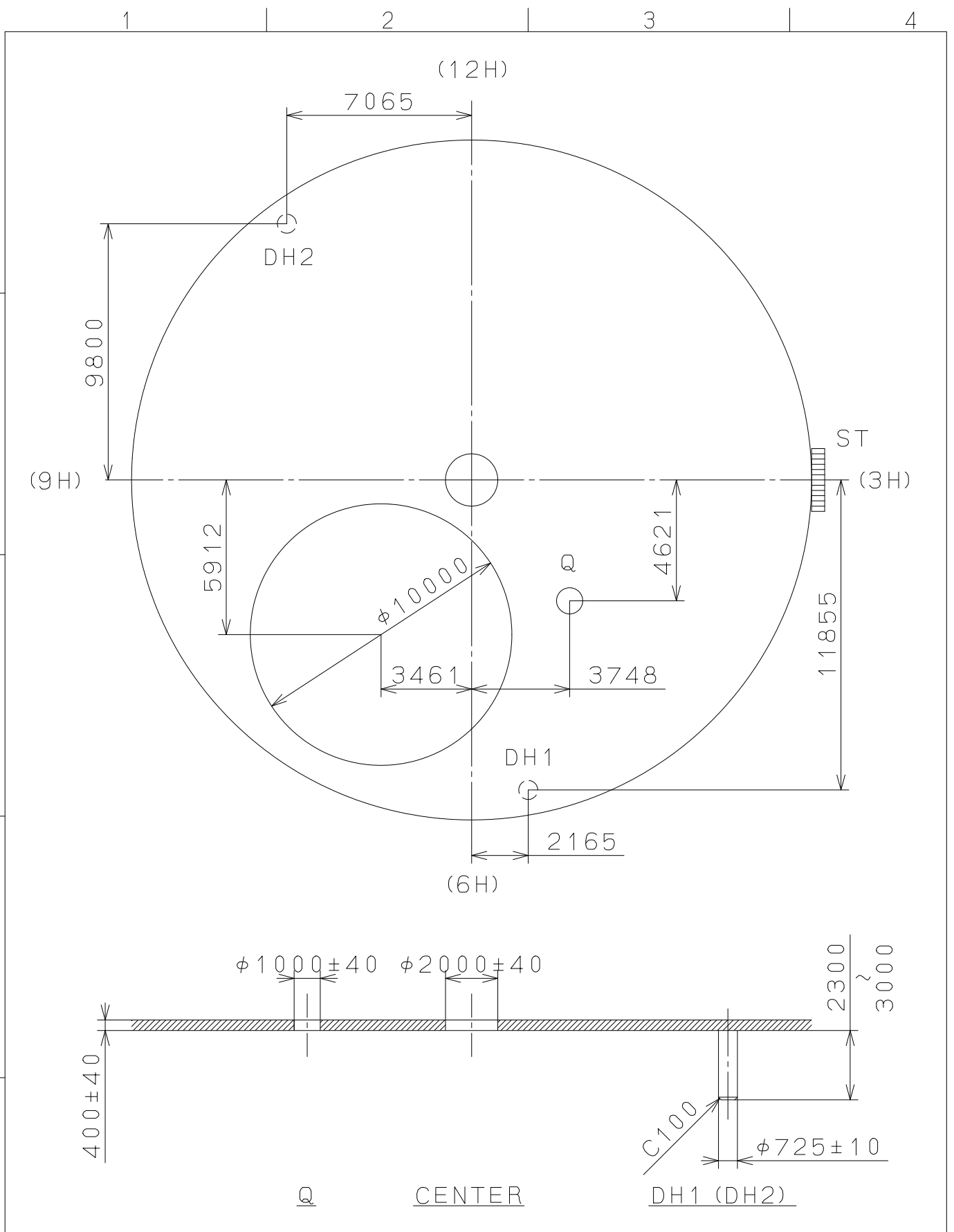


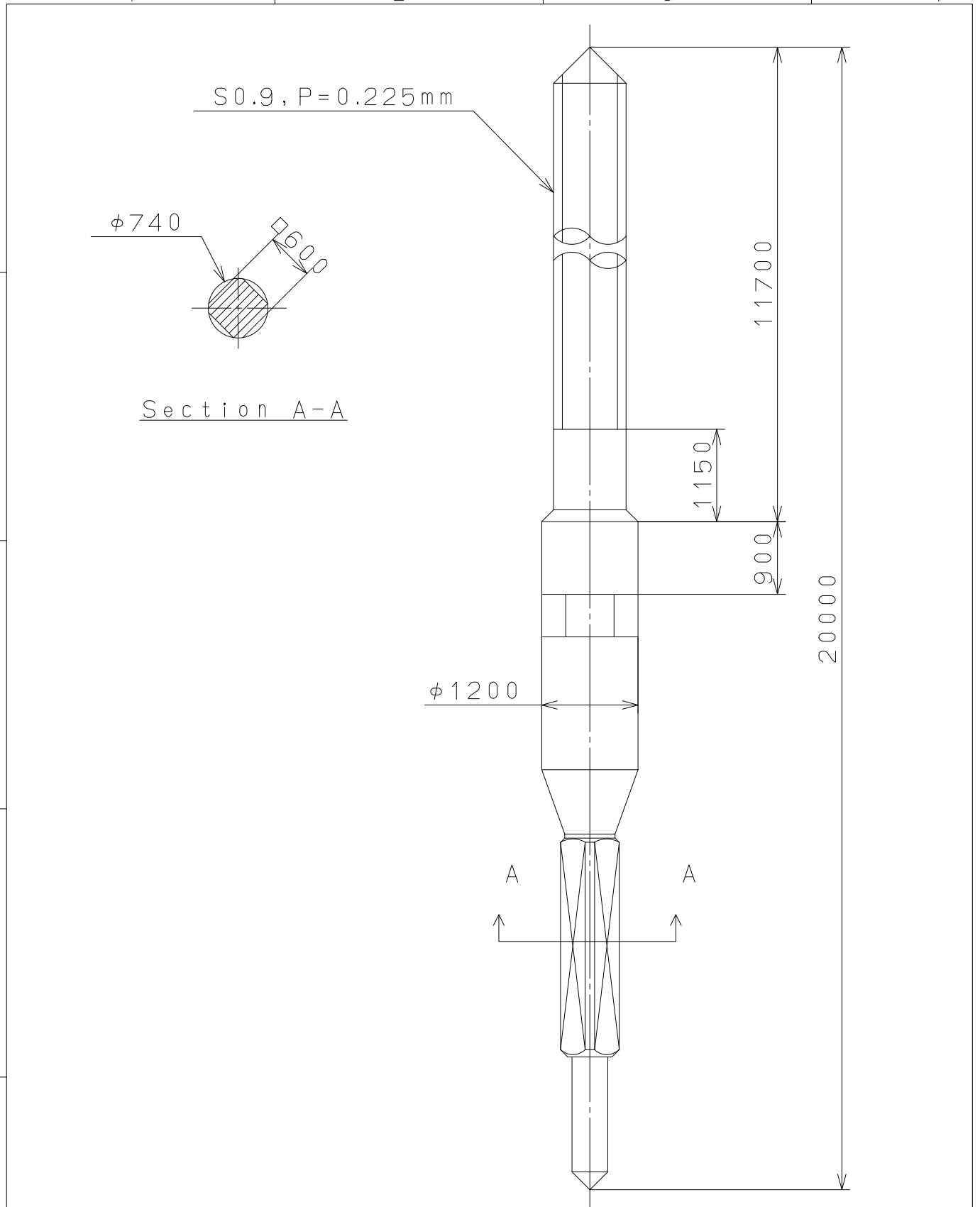
Material		Quantity	Unit	Cal. No.:	
Heat Treatment				82SS5	
Hardness			Scale	7 : 1	
Plating			Date		
			Drawn		
			Checked		
			Approved	D. Yamada	
			Alterations		
			Name: Frame for Case		
			Drawing No.: 82SS500C0		
			Parts No.:		
			Dial		
			Movement holder (Plastic)		
			Balance		
			Dial		
			Movement holder (Plastic)		
			Balance		
			Dial		
			Movement holder (Plastic)		
			Balance		
			Dial		
			Movement holder (Plastic)		
			Balance		
			Dial		
			Movement holder (Plastic)		
			Balance		
			Dial		
			Movement holder (Plastic)		
			Balance		
			Dial		
			Movement holder (Plastic)		
			Balance		
			Dial		
			Movement holder (Plastic)		
			Balance		
			Dial		
			Movement holder (Plastic)		
			Balance		
			Dial		
			Movement holder (Plastic)		
			Balance		
			Dial		
			Movement holder (Plastic)		
			Balance		
			Dial		
			Movement holder (Plastic)		
			Balance		
			Dial		
			Movement holder (Plastic)		
			Balance		
			Dial		
			Movement holder (Plastic)		
			Balance		
			Dial		
			Movement holder (Plastic)		
			Balance		
			Dial		
			Movement holder (Plastic)		
			Balance		
			Dial		
			Movement holder (Plastic)		
			Balance		
			Dial		
			Movement holder (Plastic)		
			Balance		
			Dial		
			Movement holder (Plastic)		
			Balance		
			Dial		
			Movement holder (Plastic)		
			Balance		
			Dial		
			Movement holder (Plastic)		
			Balance		
			Dial		
			Movement holder (Plastic)		
			Balance		
			Dial		
			Movement holder (Plastic)		
			Balance		
			Dial		
			Movement holder (Plastic)		
			Balance		
			Dial		
			Movement holder (Plastic)		
			Balance		
			Dial		
			Movement holder (Plastic)		
			Balance		
			Dial		
			Movement holder (Plastic)		
			Balance		
			Dial		
			Movement holder (Plastic)		
			Balance		
			Dial		
			Movement holder (Plastic)		
			Balance		
			Dial		
			Movement holder (Plastic)		
			Balance		
			Dial		
			Movement holder (Plastic)		
			Balance		
			Dial		
			Movement holder (Plastic)		
			Balance		
			Dial		
			Movement holder (Plastic)		
			Balance		
			Dial		
			Movement holder (Plastic)		
			Balance		
			Dial		
			Movement holder (Plastic)		
			Balance		
			Dial		
			Movement holder (Plastic)		
			Balance		
			Dial		
			Movement holder (Plastic)		
			Balance		
			Dial		
			Movement holder (Plastic)		
			Balance		
			Dial		
			Movement holder (Plastic)		
			Balance		
			Dial		
			Movement holder (Plastic)		
			Balance		
			Dial		
			Movement holder (Plastic)		
			Balance		
			Dial		
			Movement holder (Plastic)		
			Balance		
			Dial		
			Movement holder (Plastic)		
			Balance		
			Dial		
			Movement holder (Plastic)		
			Balance		
			Dial		
			Movement holder (Plastic)		
			Balance		
			Dial		
			Movement holder (Plastic)		
			Balance		
			Dial		
			Movement holder (Plastic)		
			Balance		
			Dial		
			Movement holder (Plastic)		
			Balance		
			Dial		
			Movement holder (Plastic)		
			Balance		
			Dial		
			Movement holder (Plastic)		
			Balance		
			Dial		
			Movement holder (Plastic)		
			Balance		
			Dial		
			Movement holder (Plastic)		
			Balance		
			Dial		
			Movement holder (Plastic)		
			Balance		
			Dial		
			Movement holder (Plastic)		
			Balance		
			Dial		
			Movement holder (Plastic)		
			Balance		
			Dial		
			Movement holder (Plastic)		
			Balance		
			Dial		
			Movement holder (Plastic)		
			Balance		
			Dial		
			Movement holder (Plastic)		
			Balance		
			Dial		
			Movement holder (Plastic)		
			Balance		
			Dial		
			Movement holder (Plastic)		
			Balance		
			Dial		
			Movement holder (Plastic)		
			Balance		
			Dial		
			Movement holder (Plastic)		
			Balance		
			Dial		
			Movement holder (Plastic)		
			Balance		
			Dial		
			Movement holder (Plastic)		
			Balance		
			Dial		
			Movement holder (Plastic)		
			Balance		
			Dial		
			Movement holder (Plastic)		
			Balance		
			Dial		
			Movement holder (Plastic)		
			Balance		
			Dial		
			Movement holder (Plastic)		
			Balance		
			Dial		
			Movement holder (Plastic)		
			Balance		
			Dial		
			Movement holder (Plastic)		
			Balance		
			Dial		
			Movement holder (Plastic)		
			Balance		
			Dial		
			Movement holder (Plastic)		
			Balance		
			Dial		
			Movement holder (Plastic)		
			Balance		
			Dial		
			Movement holder (Plastic)		
			Balance		
			Dial		
			Movement holder (Plastic)		
			Balance		
			Dial		
			Movement holder (Plastic)		
			Balance		
			Dial		
			Movement holder (Plastic)		
			Balance		
			Dial		
			Movement holder (Plastic)		
			Balance		
			Dial		
			Movement holder (Plastic)		
			Balance		
			Dial		
			Movement holder (Plastic)		
			Balance		
			Dial		
			Movement holder (Plastic)		
			Balance		
			Dial		
			Movement holder (Plastic)		
			Balance		
			Dial		
			Movement holder (Plastic)		
			Balance		
			Dial		
			Movement holder (Plastic)		
			Balance		
			Dial		
			Movement holder (Plastic)		
			Balance		
			Dial		
			Movement holder (Plastic)		
			Balance		
			Dial		
			Movement holder (Plastic)		
			Balance		
			Dial		
			Movement holder (Plastic)		
			Balance		
			Dial		
			Movement holder (Plastic)		
			Balance		
			Dial		
			Movement holder (Plastic)		
			Balance		
			Dial		
			Movement holder (Plastic)		
			Balance		
			Dial		
			Movement holder (Plastic)		
			Balance		
			Dial		
			Movement holder (Plastic)		
			Balance		
			Dial		
			Movement holder (Plastic)		
			Balance		
			Dial		
			Movement holder (Plastic)		
			Balance		
			Dial		
			Movement holder (Plastic)		
			Balance</		

This drawing is provisional and subject to our reconfirmation and/or revision without notice.



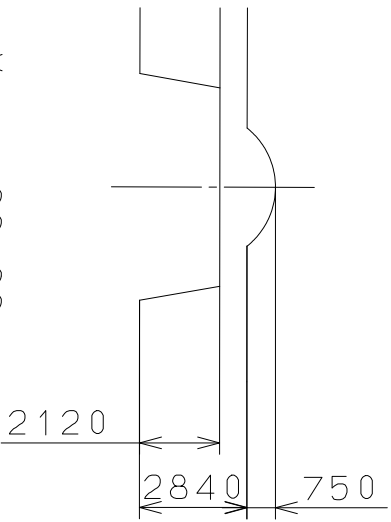
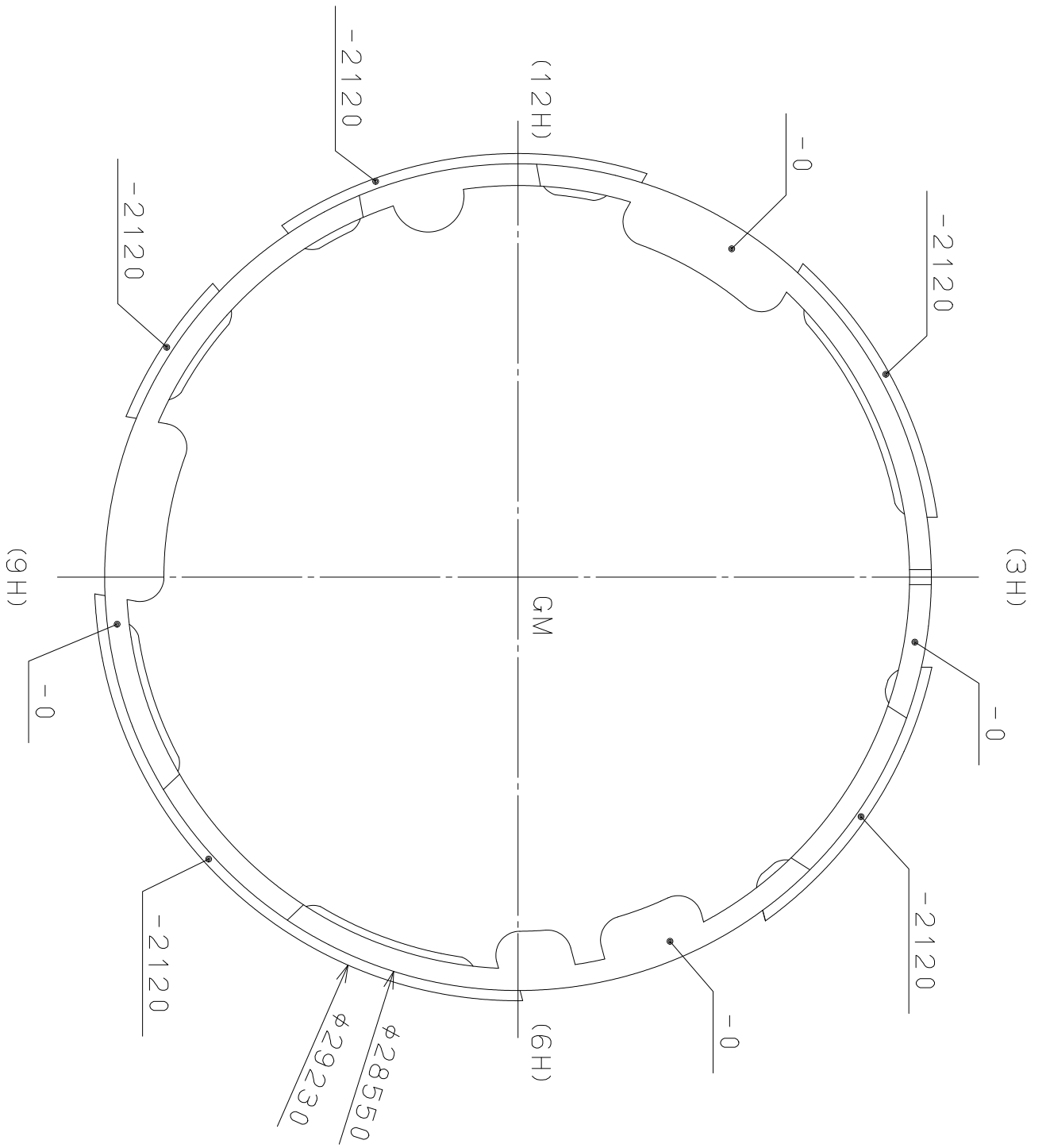
△			Quantity		Cal.NO.:
△			Unit	1 / 1000 mm	82S5-43A
△			Scale	5 : 1	Parts No.:
△			Date		
△			Drawn		
Mark	Date	Description	Appr.	Checked	Name:
		Alterations	Approved	D. Yamada	Indications for Dial
Material					Drawing No.: 82S500D0
Heat Treatment				General Tolerances	MIYOTA
Hardness				Dimensions	
Plating				Angles	
					CITIZEN WATCH CO., LTD. TOKYO, JAPAN

This drawing is provisional and subject to our reconfirmation and/or revision without notice.

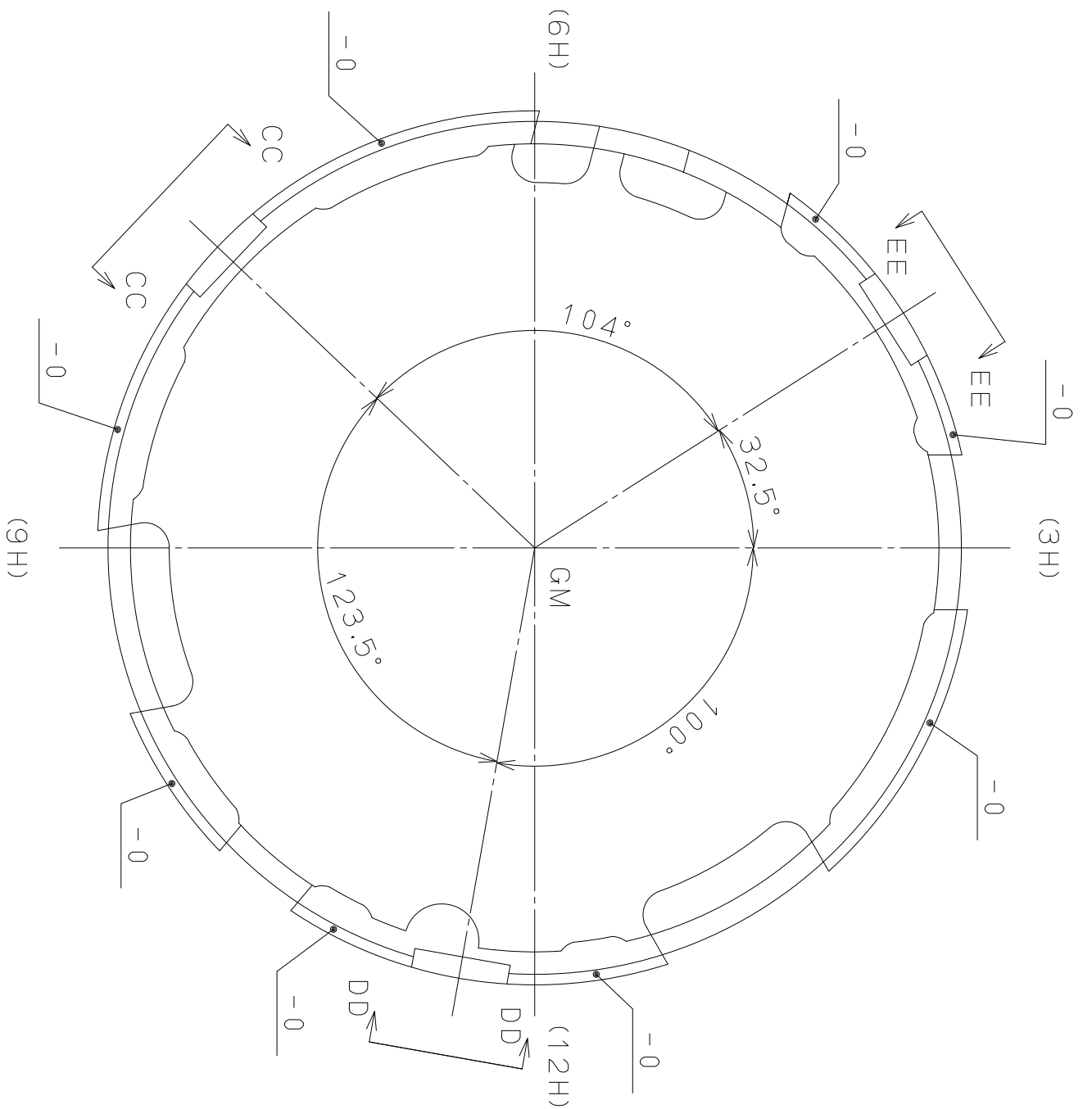


△5			Quantity		Cal.NO.:
△4			Unit	1/1000mm	
△3			Scale	15:1	Parts No.:
△2			Date		065-212
△1			Drawn		Name:
Mark	Date	Description	Appr.	Checked	D. Yamada
Alterations			Approved	SETTING STEM	
Material					Drawing No.: 212000S0
Heat Treatment	General Tolerances				MIYOTA
Hardness	Dimensions				
Plating	Angles				
					CITIZEN WATCH CO., LTD. TOKYO, JAPAN

This drawing is provisional and subject to our reconfirmation and/or revision without notice.



View CC-CC
DD-DD, EE-EE



△	Quantity	1/1000 mm	Cal. NO.:
△	Unit	5 : 1	Parts No.:
△	Scale	Drawn	500-710
△	Date	Checked	Name:
△	Date	Approved	Casings Holder
△	Date	Drawn	D. Yamada
△	Date	Checked	Drawing No.: 820500E0
△	Date	Approved	
Material	Alterations	Approved	
Heat Treatment			
Hardness			
Plating			
	General Tolerances		
	Dimensions		
	Angles		

MIYOTA
CITIZEN WATCH CO., LTD. TOKYO, JAPAN