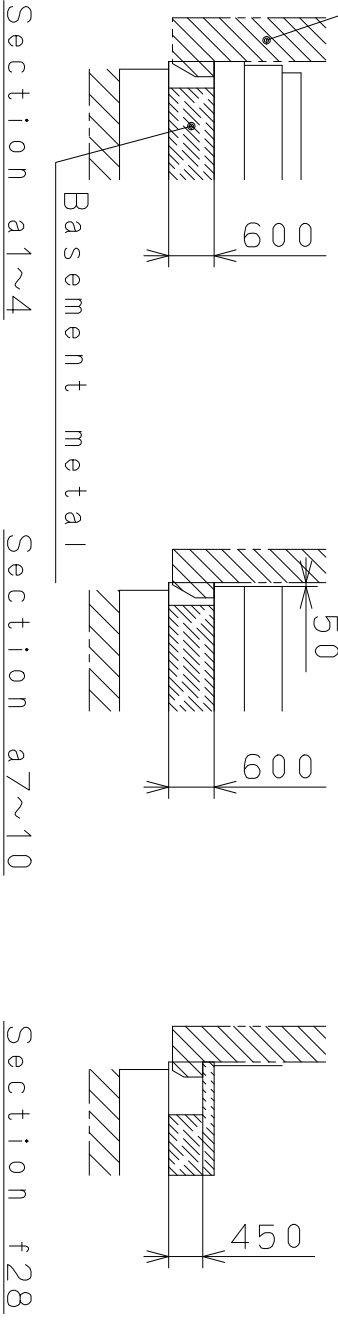
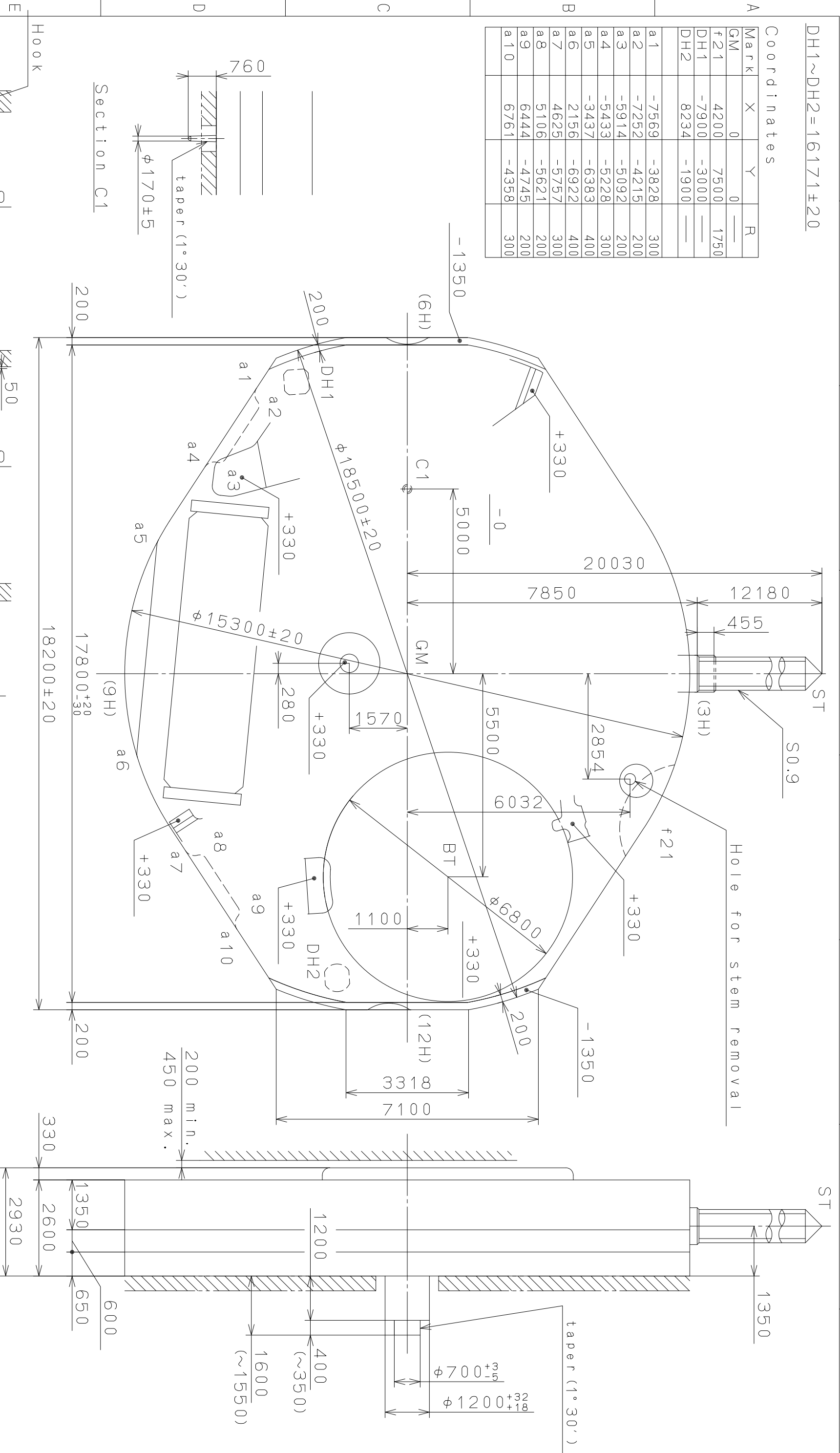


This drawing is provisional and subject to our reconfirmation and/or revision without notice.

DH1~DH2=16171±20

Coordinates

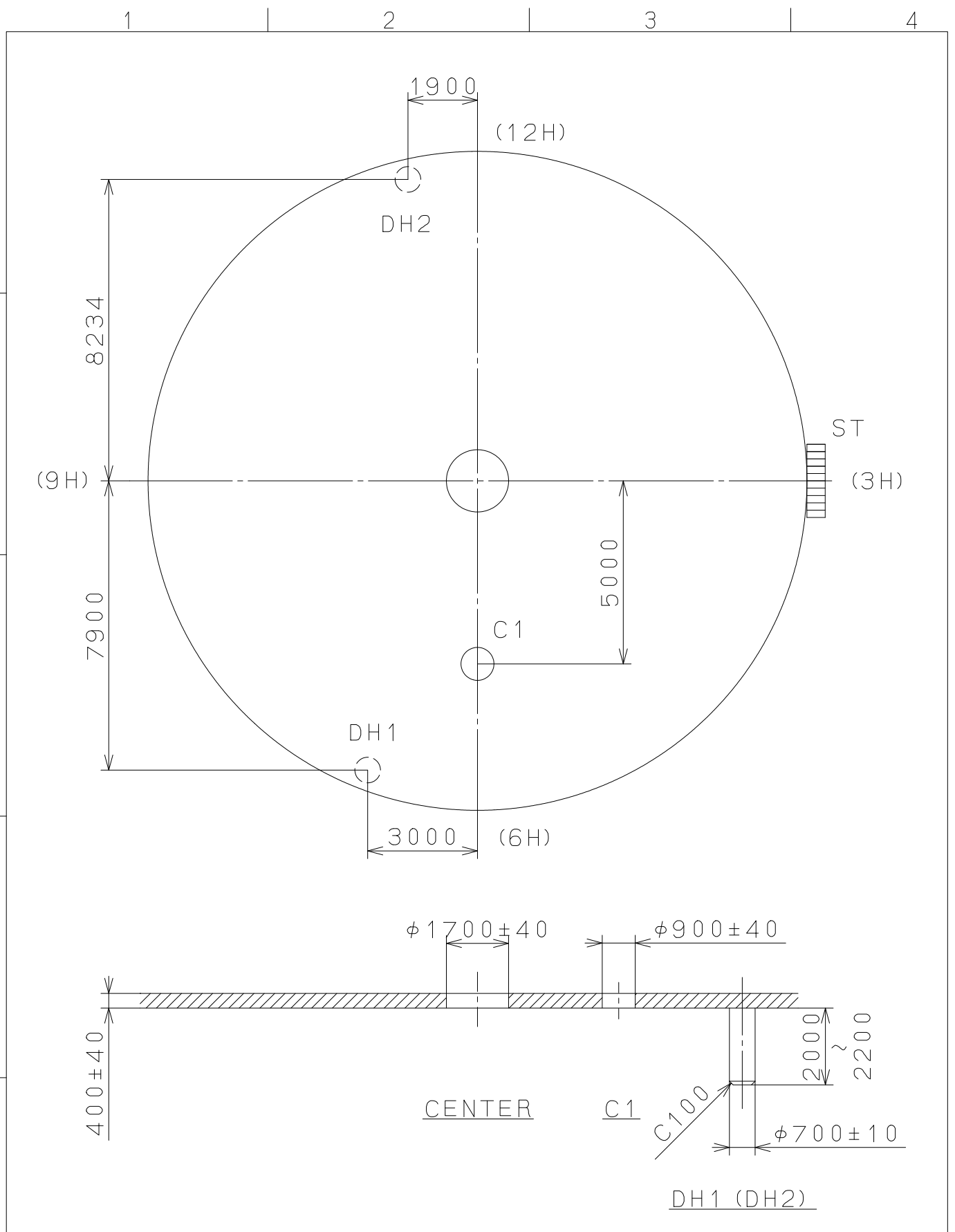
Mark	X	Y	R
GM	0	0	—
f21	4200	7500	1750
DH1	-7900	-3000	—
DH2	8234	-1900	—
a1	-7569	-3828	300
a2	-7252	-4215	200
a3	-5914	-5092	200
a4	-5433	-5228	300
a5	-3437	-6383	400
a6	2156	-6922	400
a7	4625	-5757	300
a8	5106	-5621	200
a9	6444	-4745	200
a10	6761	-4358	300



△	Quantity	Cal. NO.:	1L40
△	Unit	Unit	1/1000 mm
△	Scale	Scale	10 : 1
△	Date	Date	
△	Drawn	Drawn	
△	Checked	Checked	D. Yamada
△	Approved	Approved	
△	Alterations	Alterations	
△	Date	Date	
△	Description	Description	Frame for Case
△	Mark	Mark	Drawing No.: 1L4000C0
△	Material	Material	
△	Heat Treatment	Heat Treatment	
△	Hardness	Hardness	
△	Plating	Plating	
△	General Tolerances	General Tolerances	
△	Dimensions	Dimensions	
△	Angles	Angles	

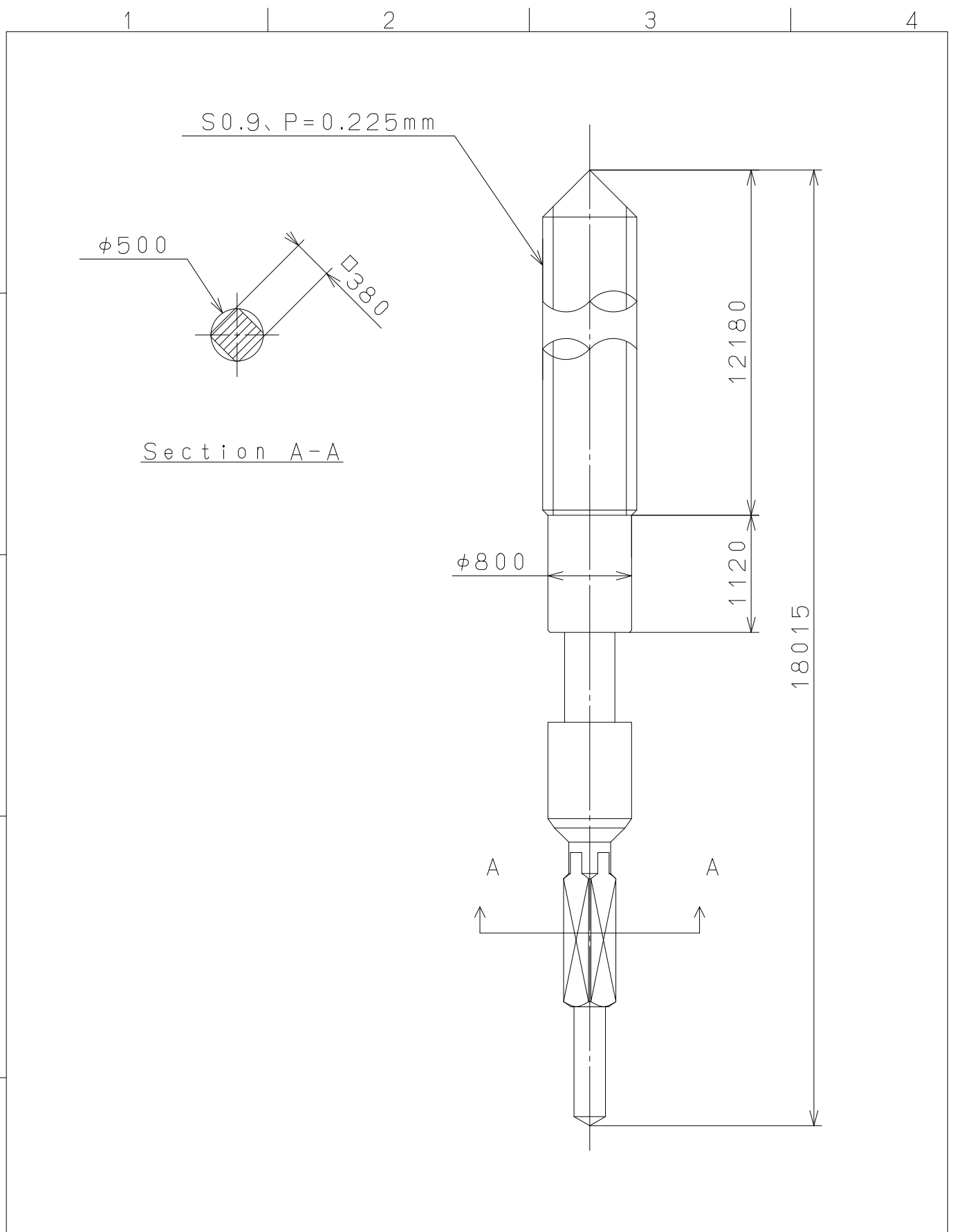
**MIYOTA**  
CITIZEN WATCH CO., LTD. TOKYO, JAPAN

This drawing is provisional and subject to our reconfirmation and/or revision without notice.



△			Quantity		Cal.NO.:
△			Unit	1 / 1000 mm	1L40-10A
△			Scale	7 : 1	Parts No.:
△			Date		
△			Drawn		
Mark	Date	Description	Appr.	Checked	Name:
		Alterations		Approved	D. Yamada
Material					Indications for Dial
Heat Treatment					Drawing No.: 1L4000D0
Hardness				General Tolerances	<b>MIYOTA</b>
Plating				Dimensions	
				Angles	CITIZEN WATCH CO., LTD. TOKYO, JAPAN

This drawing is provisional and subject to our reconfirmation and/or revision without notice.



△			Quantity		Cal.NO.:
△			Unit	1/1000mm	
△			Scale	20:1	Parts No.:
△			Date		065-477
△			Drawn		
Mark	Date	Description	Appr.	Checked	D.Yamada
Alterations			Approved	Name: SETTING STEM	
Material					Drawing No.: 477000S0
Heat Treatment					<b>MIYOTA</b> CITIZEN WATCH CO., LTD. TOKYO, JAPAN
Hardness					
Plating					