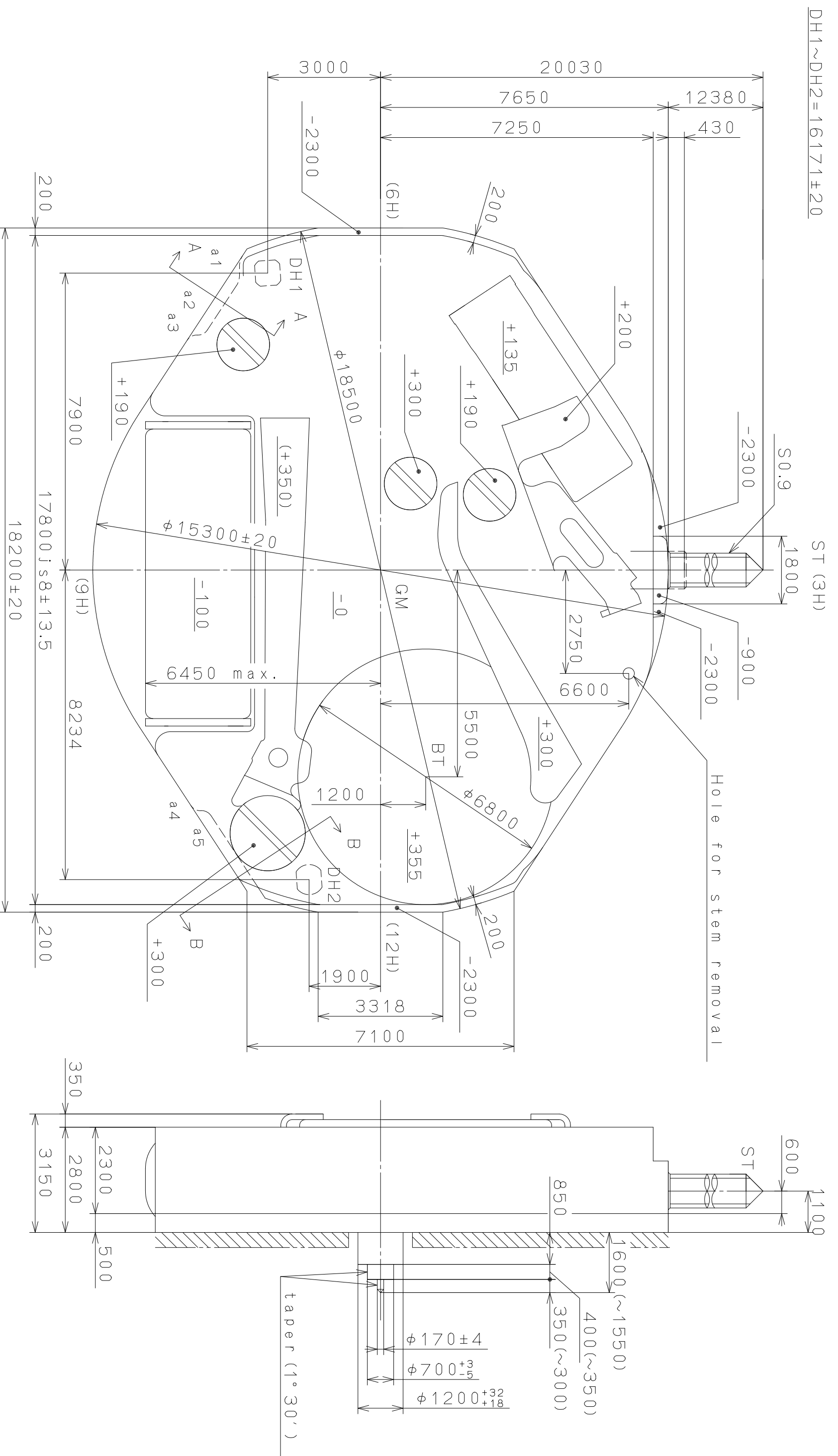
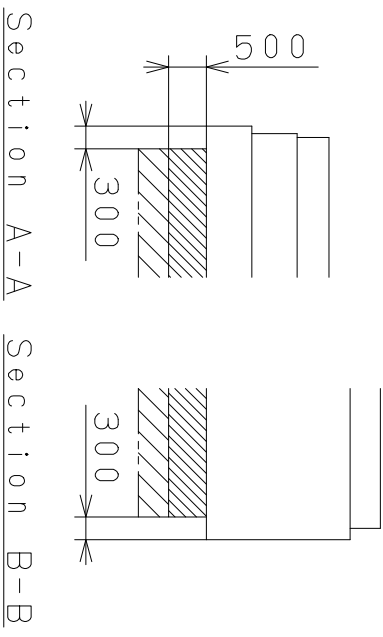


This drawing is provisional and subject to our reconfirmation and/or revision without notice.



Coordinates

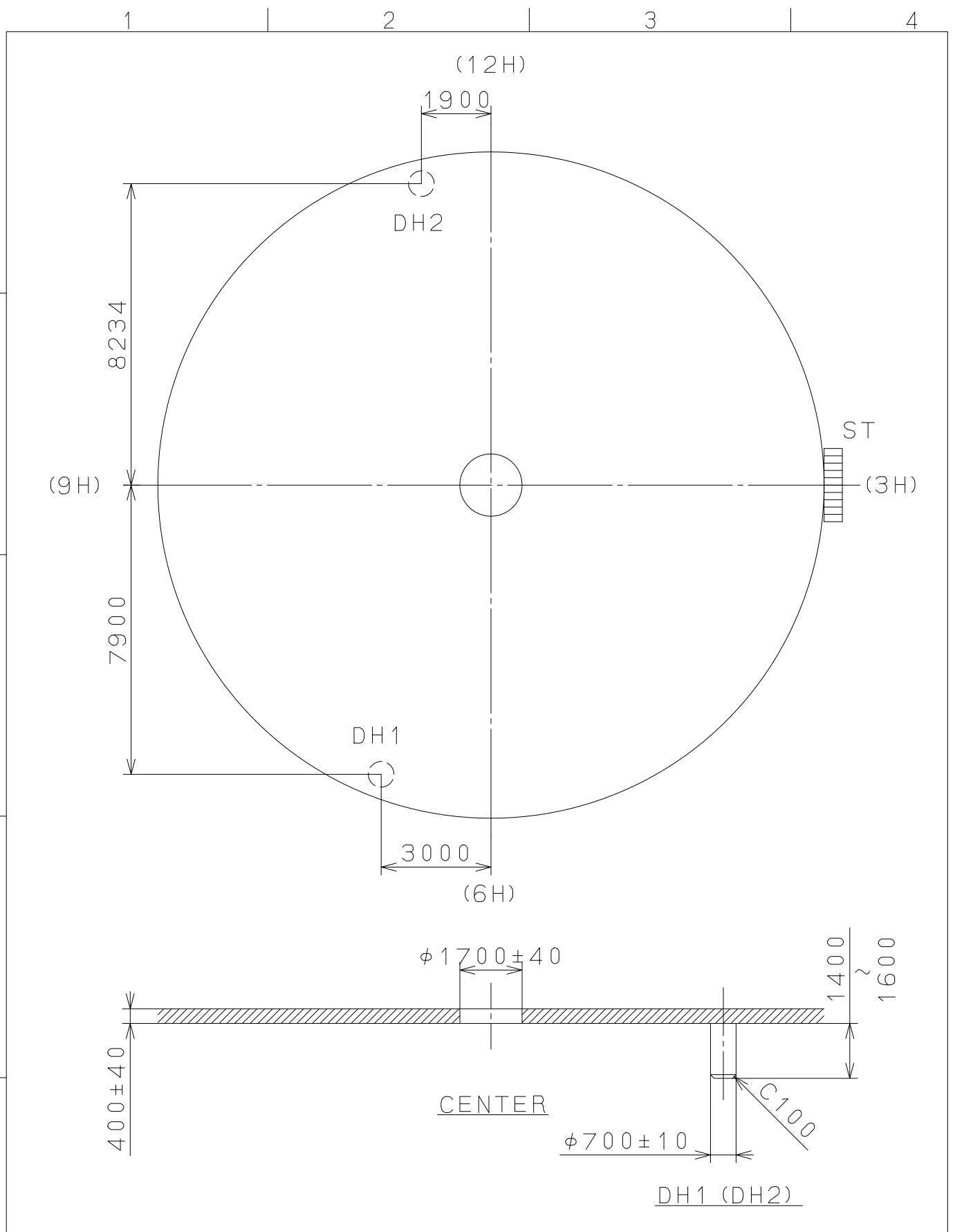
Mark	X	Y	R
GM	0	0	—
a1	-7838	-4250	500
a2	-6550	-4855	300
a3	-5951	-4888	300
a4	6101	-4790	300
a5	6700	-4756	300



△	Quantity		Cal. NO.:	2035
△	Unit	1/1000 mm	Parts No.:	
△	Scale	10:1	Name:	Frame for Case
△	Date		Drawing No.:	203500C0
△	Date			
△	Drawn			
△	Checked			
△	Approved	D. Yamada		
△	Alterations			
△	Date			
△	Description			
△	Appro.			
△	Material			
△	Heat Treatment			
△	Hardness			
△	Plating			
△	General Tolerances			
△	Dimensions			
△	Angles			

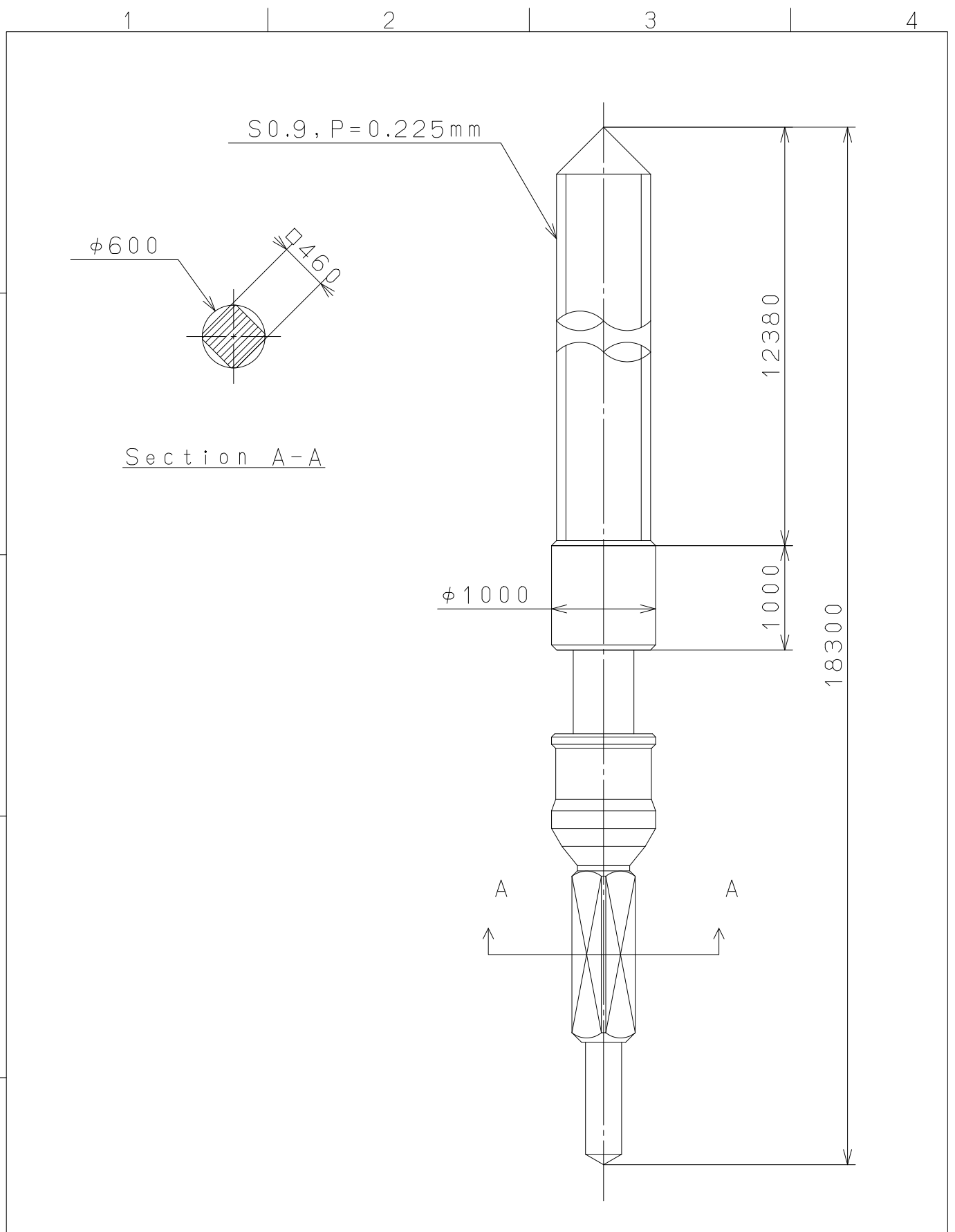
MIYOTA
CITIZEN WATCH CO., LTD. TOKYO, JAPAN

This drawing is provisional and subject to our reconfirmation and/or revision without notice.



△			Quantity		Cal.NO.:
△			Unit	1 / 1000 mm	2035-J0A
△			Scale	7 : 1	Parts No.:
△			Date		
△			Drawn		
Mark	Date	Description	Appr.	Checked	Name:
		Alterations	Approved	D. Yamada	Indications for Dial
Material					Drawing No.: 203501D0
Heat Treatment			General Tolerances		MIYOTA
Hardness			Dimensions		
Plating			Angles		
					CITIZEN WATCH CO., LTD. TOKYO, JAPAN

This drawing is provisional and subject to our reconfirmation and/or revision without notice.



△5			Quantity		Cal.NO.:
△4			Unit	1 / 1000 mm	
△3			Scale	20 : 1	Parts No.:
△2			Date		065-299
△1			Drawn		
Mark	Date	Description	Appr.	Checked	D. Yamada
Alterations			Approved	Name:	
					SETTING STEM
Material					Drawing No.: 299000S0
Heat Treatment					MIYOTA CITIZEN WATCH CO., LTD. TOKYO, JAPAN
Hardness	General Tolerances				
Plating	Dimensions				
	Angles				