

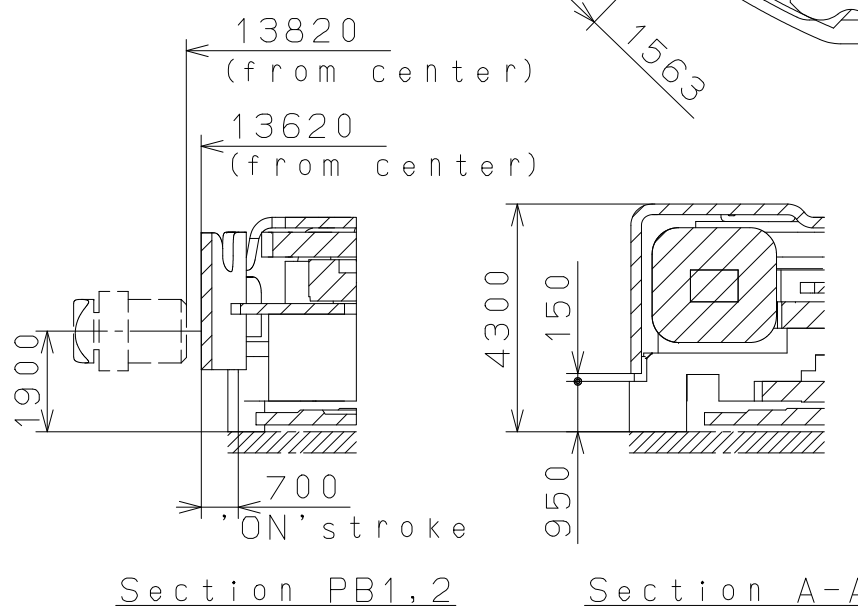
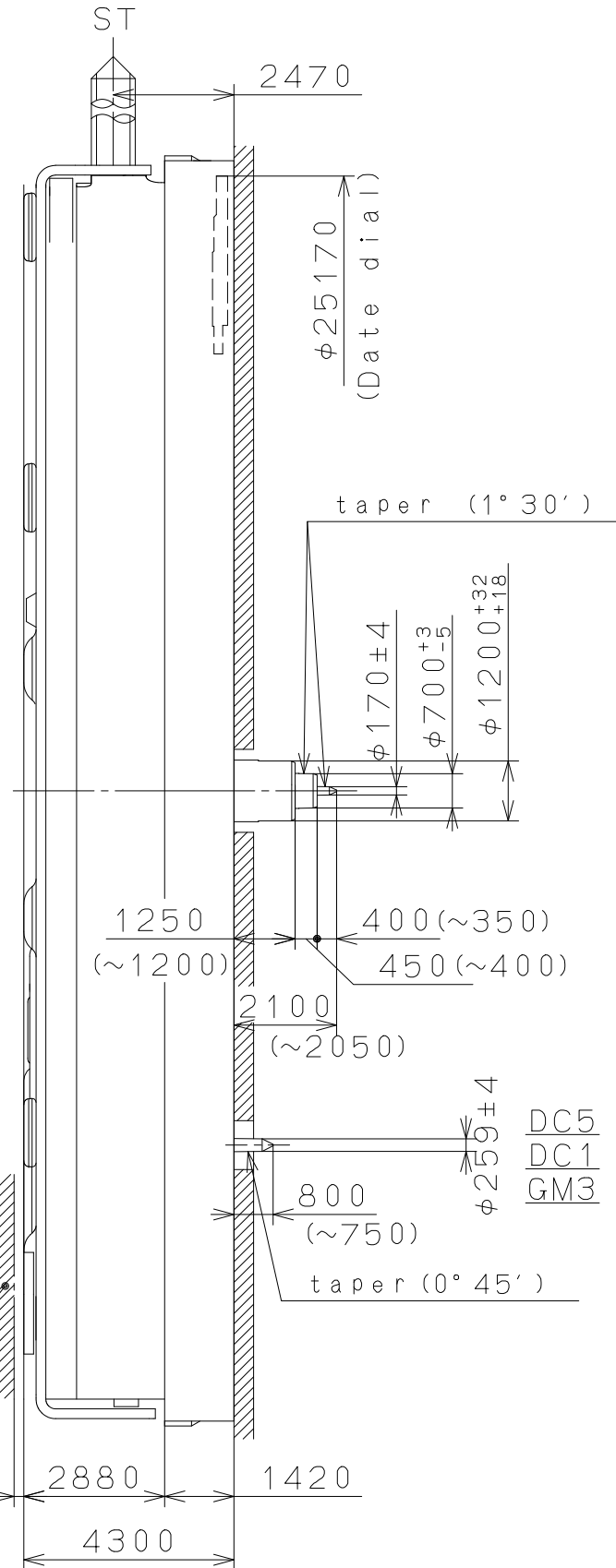
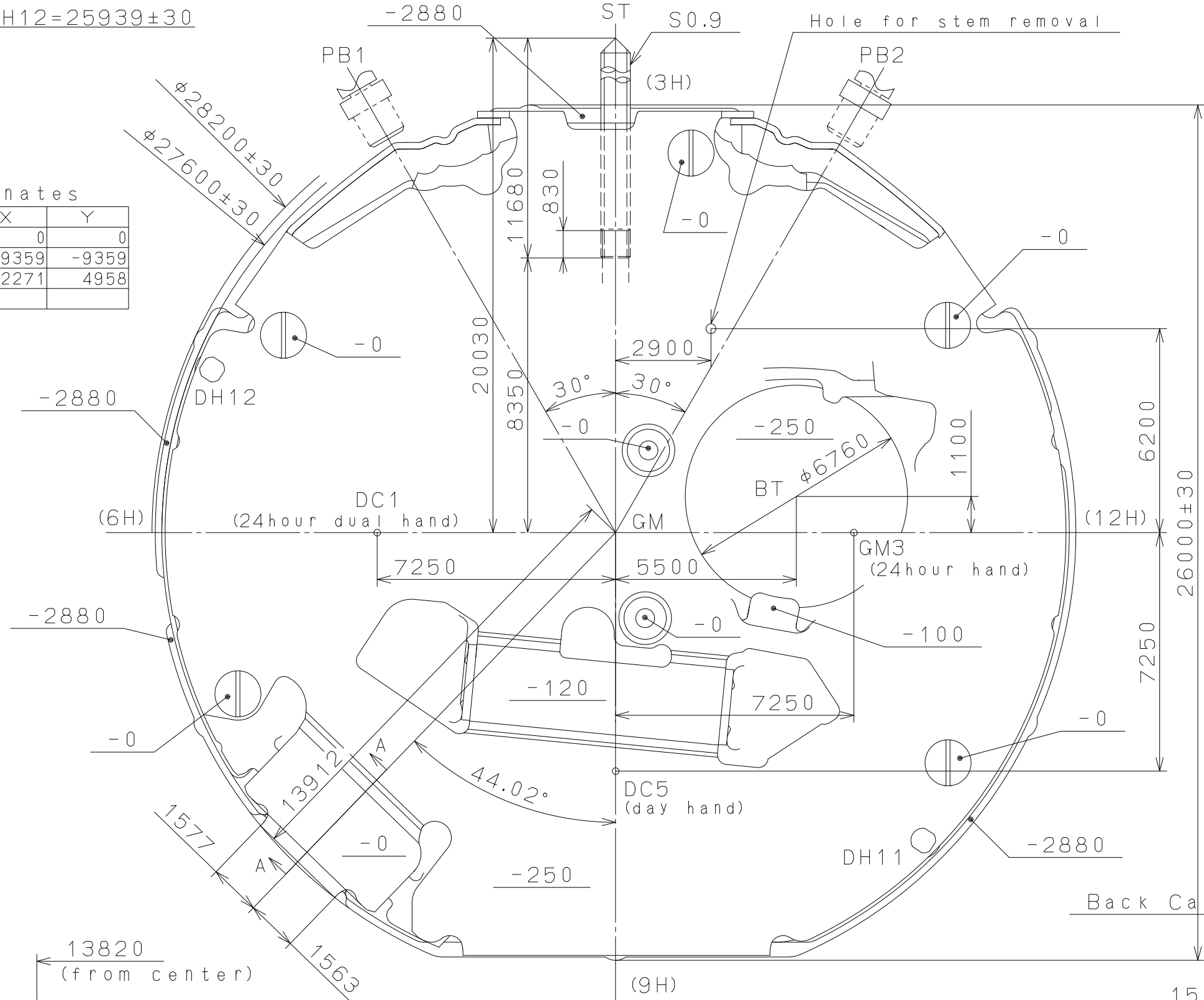
CONFIDENTIAL 2018/12/28 (17:07:00)

This drawing is provisional and subject to our reconfirmation and/or revision without notice.

DH11~DH12=25939±30

Coordinates

記号	X	Y
GM	0	0
DH11	9359	-9359
DH12	-12271	4958



△5		Quantity		Cal.NO.:
△4		Unit	1/1000mm	JP15
△3		Scale	7 : 1	Parts No.:
△2		Date		
△1		Drawn		
Mark	Date	Description	Appr. Checked M. Kobayashi	Name:
Alterations			Approved	Frame for Case
Material		General Tolerances		Drawing No.: JP15C000
Heat Treatment		Dimensions		
Hardness		Angles		
Plating				

MIYOTA

CITIZEN WATCH CO.,LTD. TOKYO, JAPAN