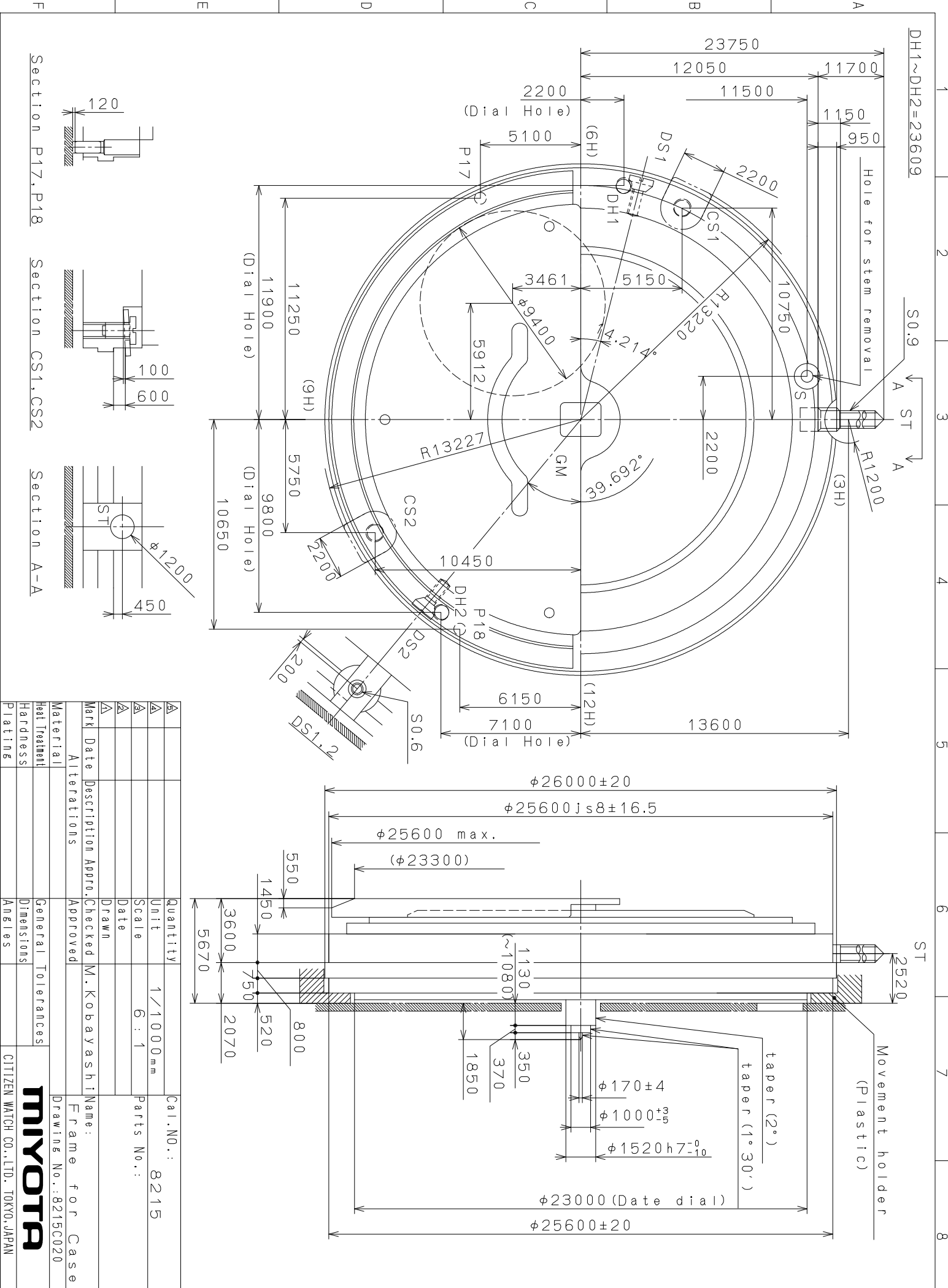


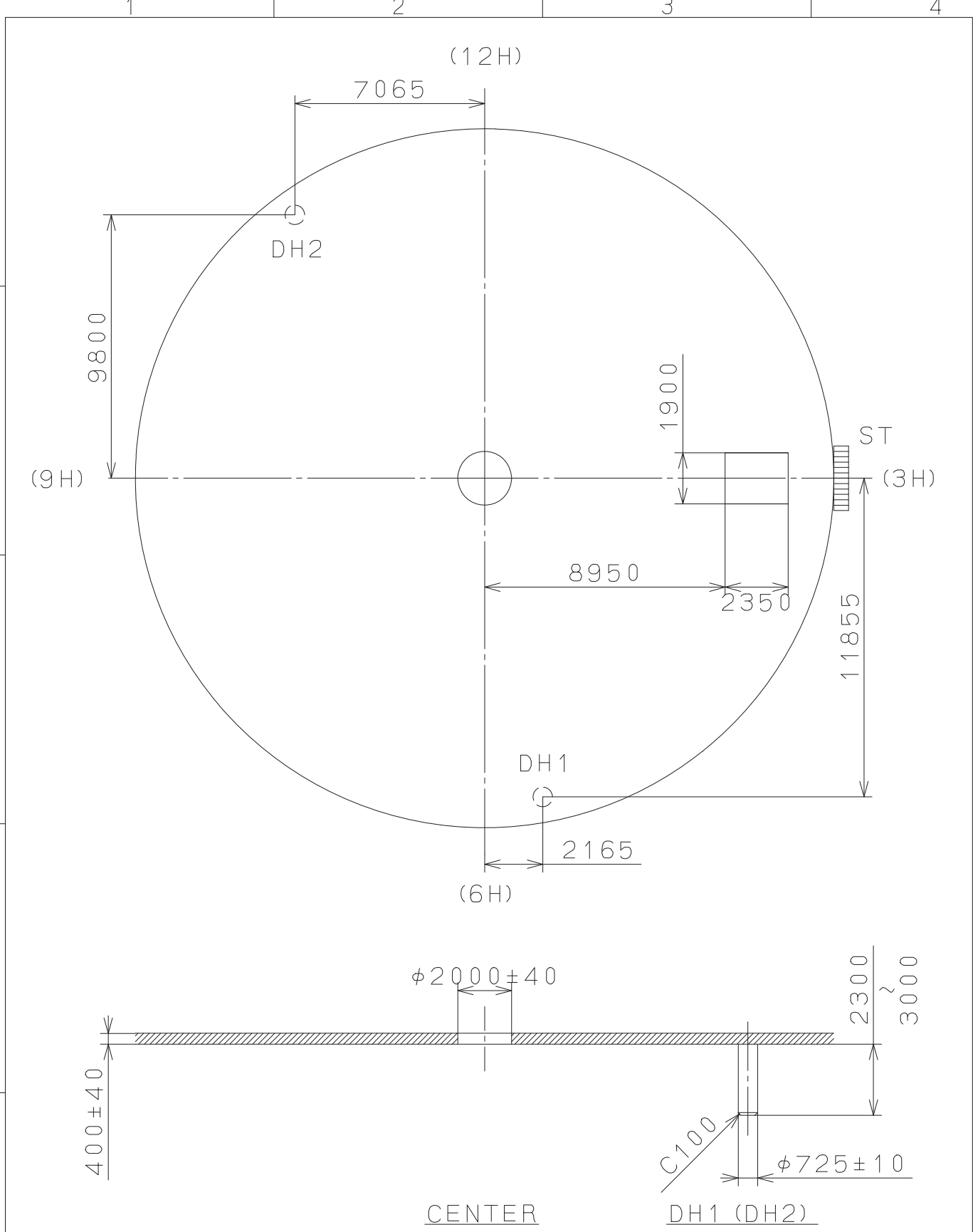
This drawing is provisional and subject to our reconfirmation and/or revision without notice.



Quantity	Unit	1/1000 mm	Cal. NO. : 8215
Scale	Scale	6 : 1	Parts No. :
Date	Drawn		
Mark	Date		
Material	Description	Appr.	M. Kobayashi
Alterations	Checked	Approved	
Material	General Tolerances		
Heat Treatment	Dimensions		
Hardness	Angles		
Plating			
Name: MIYOTA Drawing No.: 8215C020 Frame for Case CITIZEN WATCH CO., LTD. TOKYO, JAPAN			

CONFIDENTIAL 2015/08/18 (15:04:55)

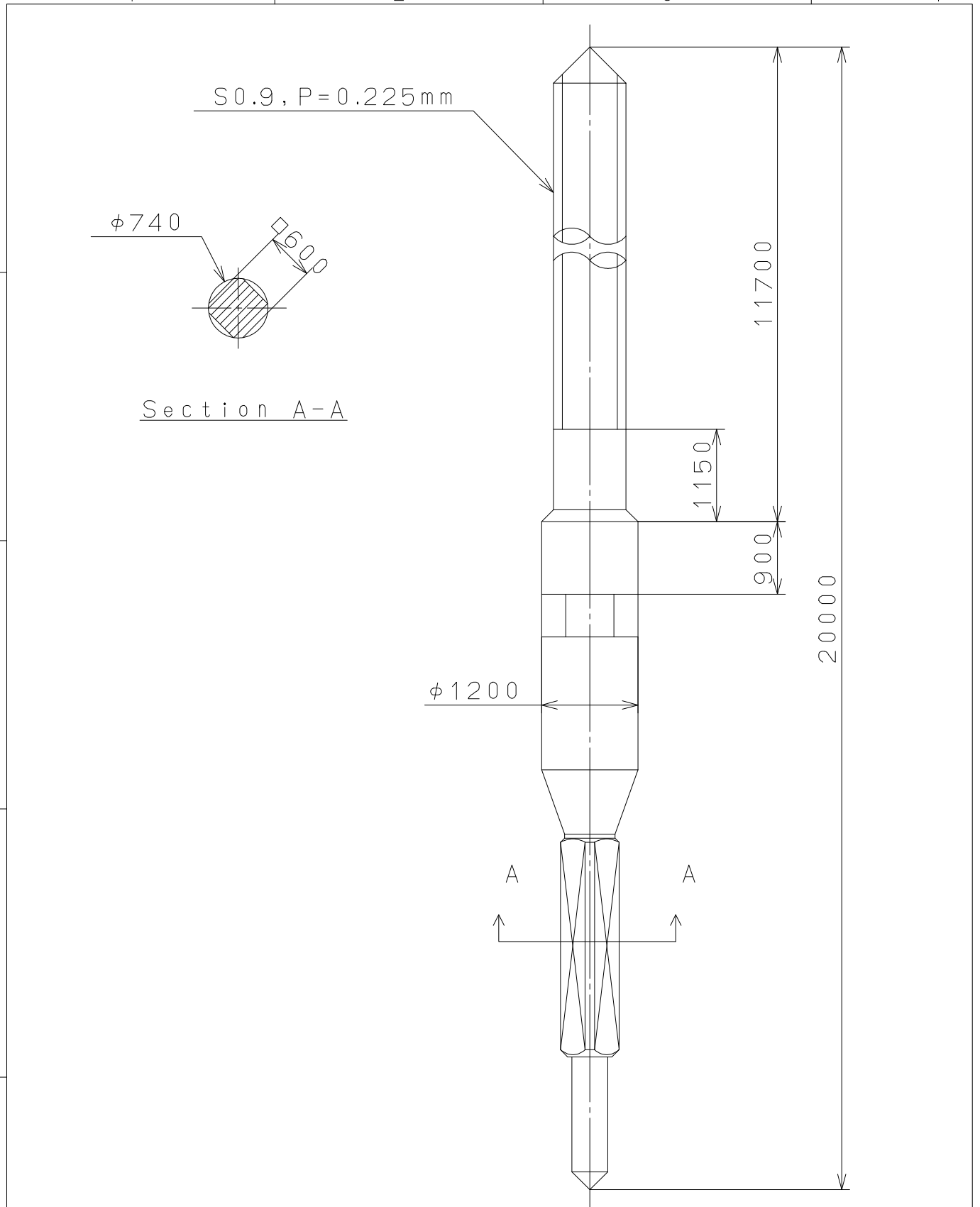
This drawing is provisional and subject to our reconfirmation and/or revision without notice.



△5			Quantity		Cal. NO.:	8215 (3H)
△4			Unit	1 / 1000 mm		
△3			Scale	5 : 1	Parts No.:	
△2			Date			
△1			Drawn			
Mark	Date	Description	Appr.	Checked	M. Kobayashi	Name:
Alterations			Approved			Indications for Dial
Material					Drawing No.: 821AD000	
Heat Treatment						
Hardness						
Plating						
			General Tolerances	CITIZEN WATCH CO., LTD. TOKYO, JAPAN		
			Dimensions			
			Angles			

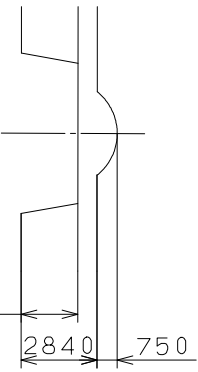
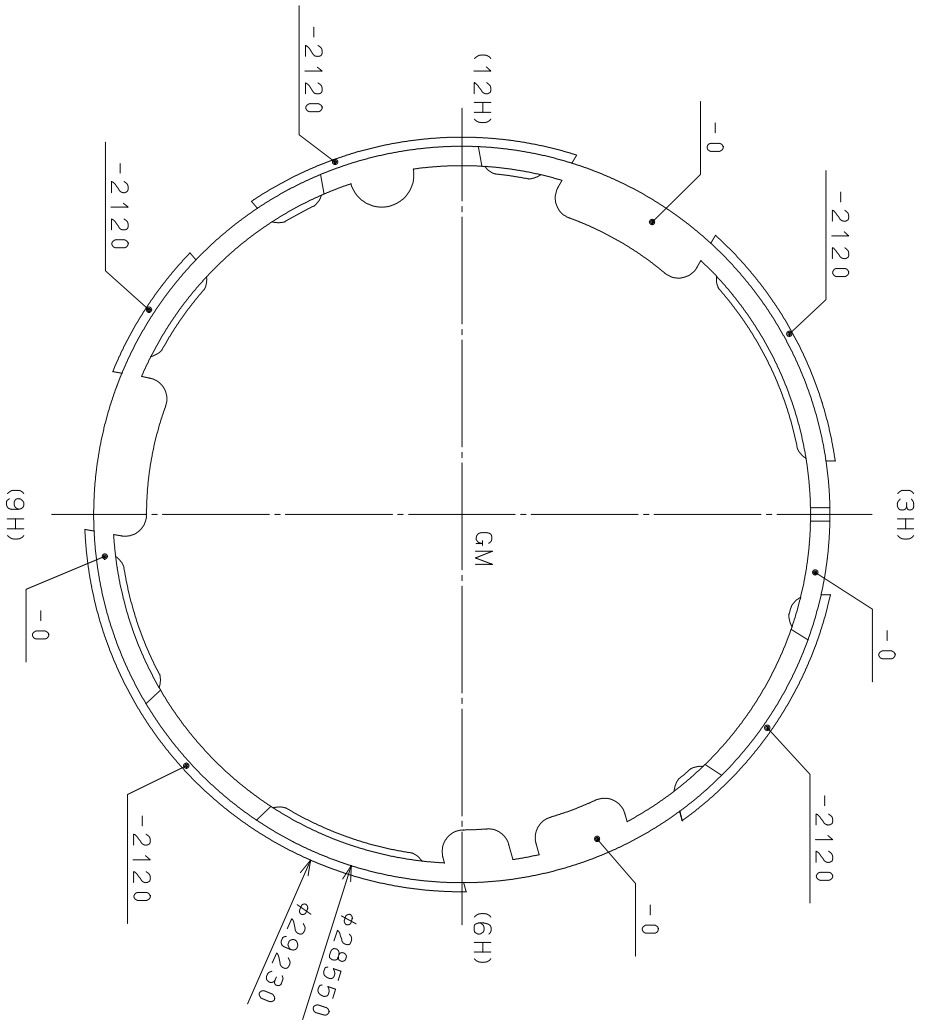
2008/11/14 (11:30:42)

This drawing is provisional and subject to our reconfirmation and/or revision without notice.

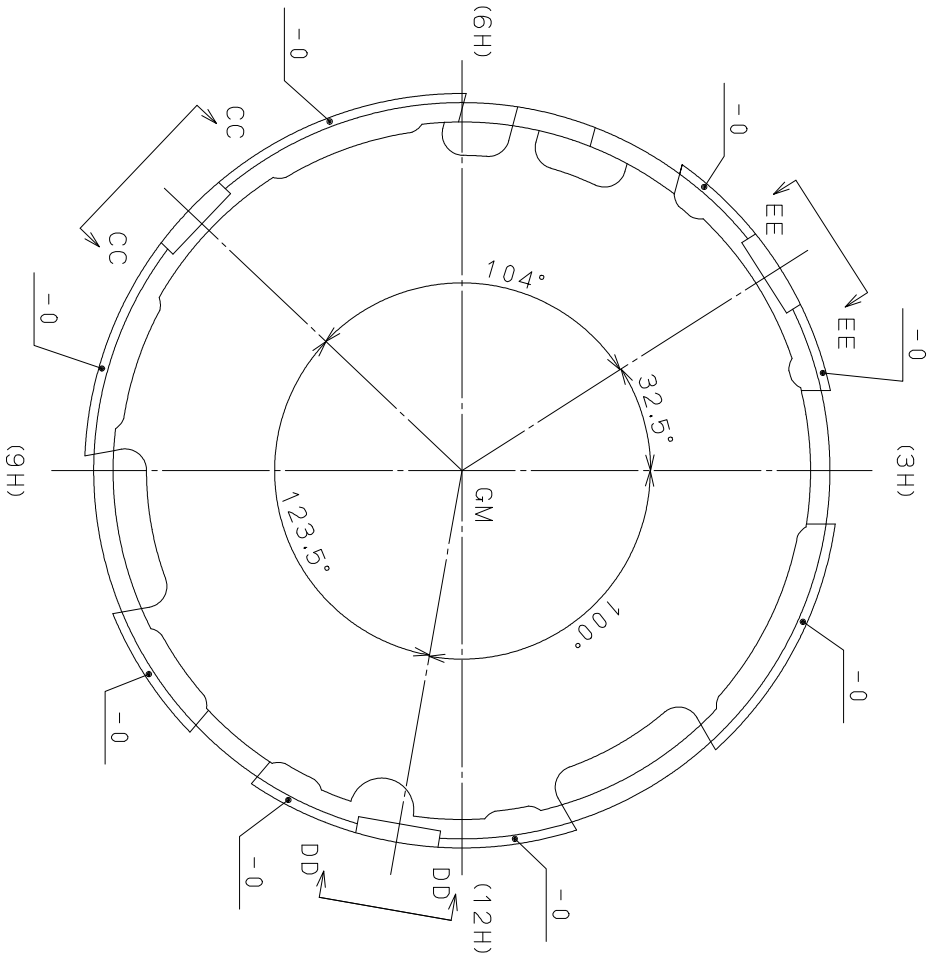


⑤			Quantity		Cal.NO.:
④			Unit	1/1000mm	
③			Scale	15:1	Parts No.:
②			Date		065-212
①			Drawn		
Mark	Date	Description	Appr.	Checked	Name:
		Alterations	Approved	N. Suzuki	SETTING STEM
Material					Drawing No.: 2120S001
Heat Treatment				General Tolerances	MIYOTA
Hardness				Dimensions	
Plating				Angles	
					CITIZEN WATCH CO., LTD. TOKYO, JAPAN

This drawing is provisional and subject to our reconfirmation and/or revision without notice.



View CC-CC
DD-DD, EE-EE



△	Quantity	1/1000 mm	Call. NO.:
△	Unit	5 : 1	Parts No.:
△	Scale	500-710	Drawn
△	Date		Checked
△	Date		Approved
△	Mark	N. Suzuki	Name:
△	Date		Casing Holder
△	Material		Drawing No.: 8200E003
△	Alterations		
△	Heat Treatment		
△	Hardness		
△	Plating		
	General Tolerances		
	Dimensions		
	Angles		

MIYOTA

CITIZEN WATCH CO., LTD. TOKYO, JAPAN