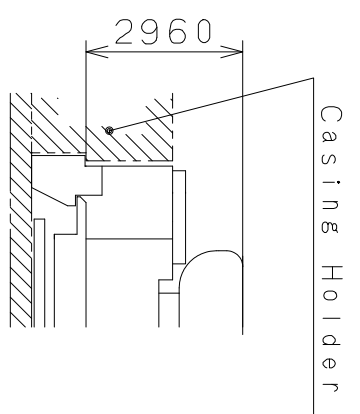
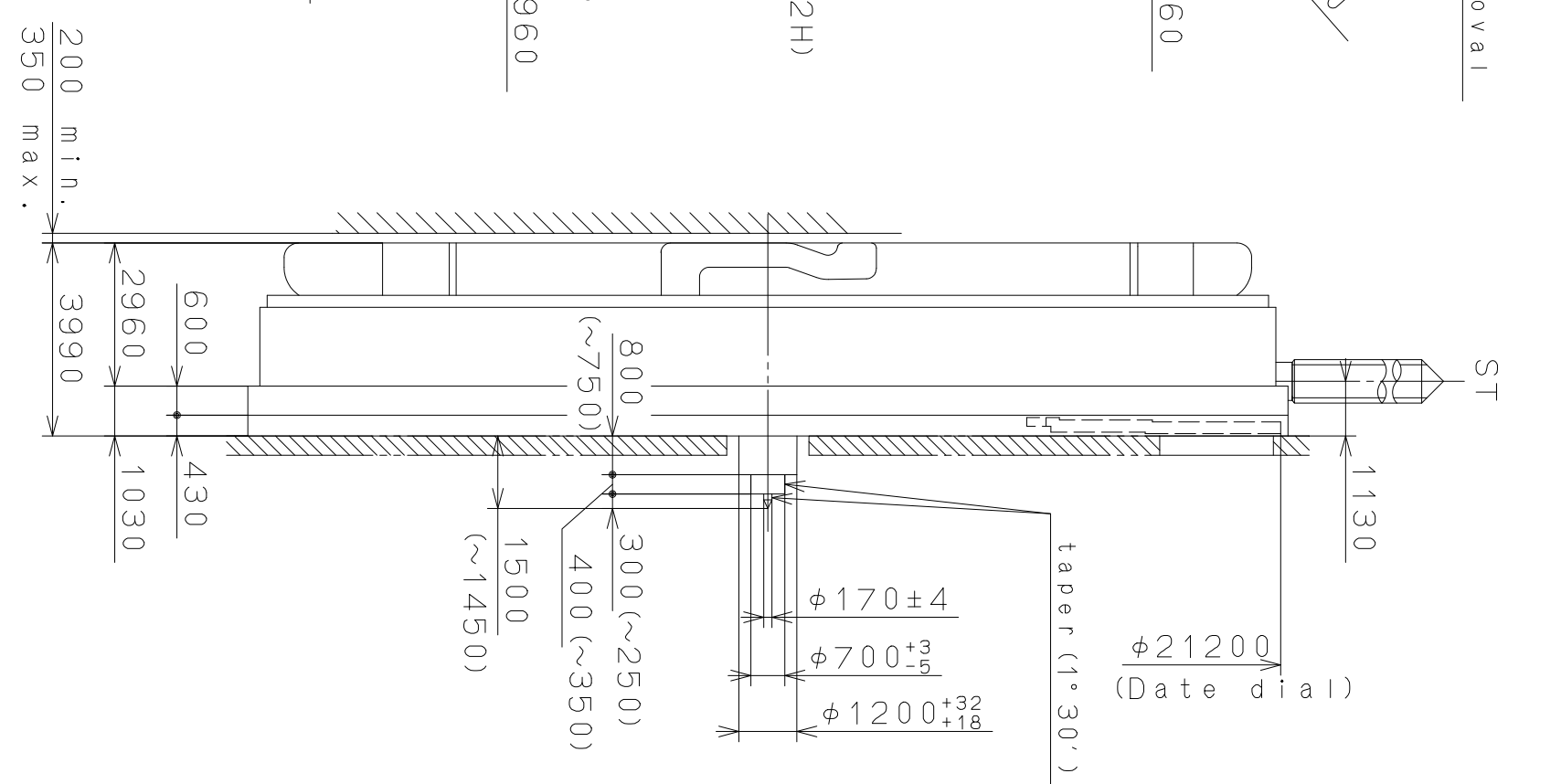
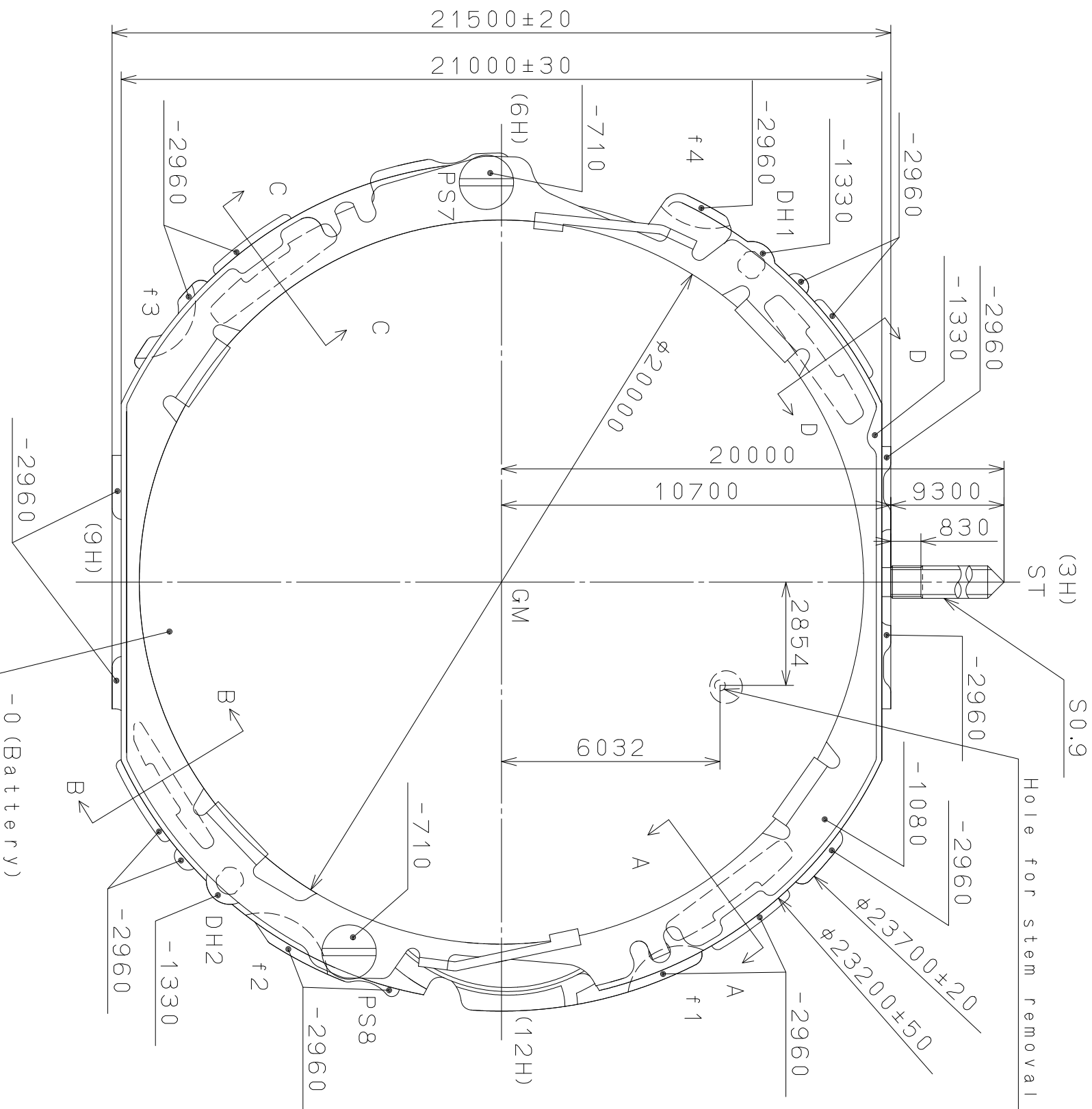


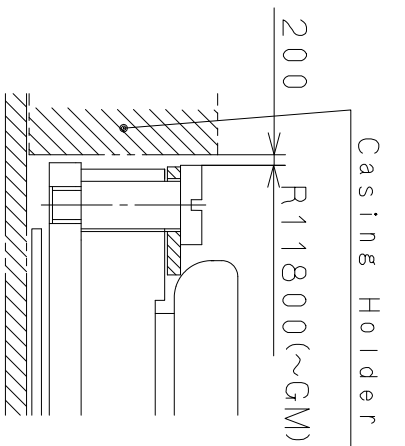
This drawing is provisional and subject to our reconfirmation and/or revision without notice.

DH1~DH2=22287±20

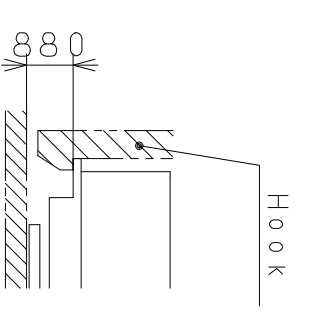
Coordinates			
Mark	X	Y	R
GM	0	0	—
DH1	-8759	6900	—
DH2	8251	-7500	—
f1	11544	4979	1500
f2	10937	-6601	1800
f3	-7683	-9951	1500
f4	-11566	5760	1800



Section A-A, B-B
C-C, D-D



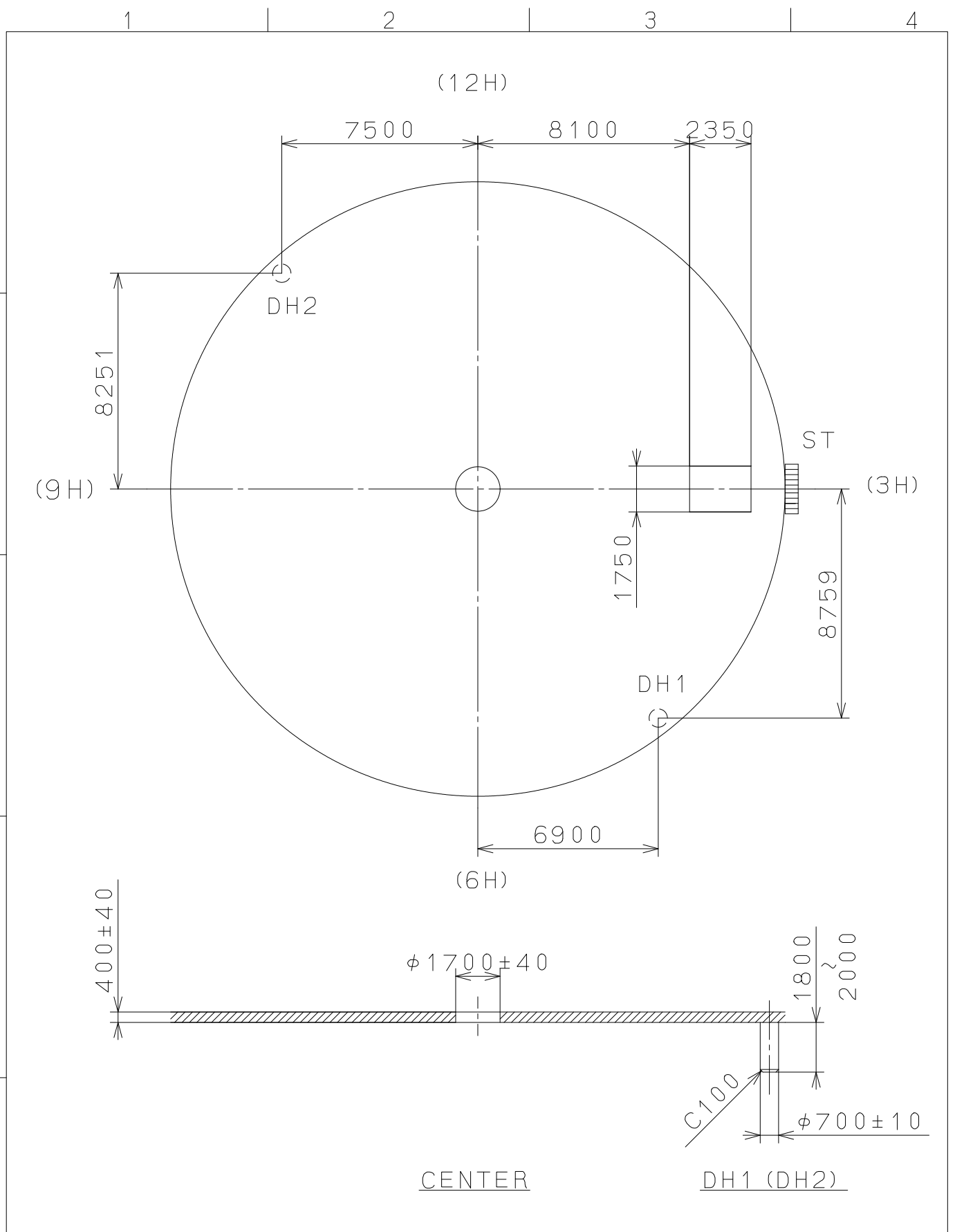
Section PS7, PS8



Section f1, f2, f3, f4

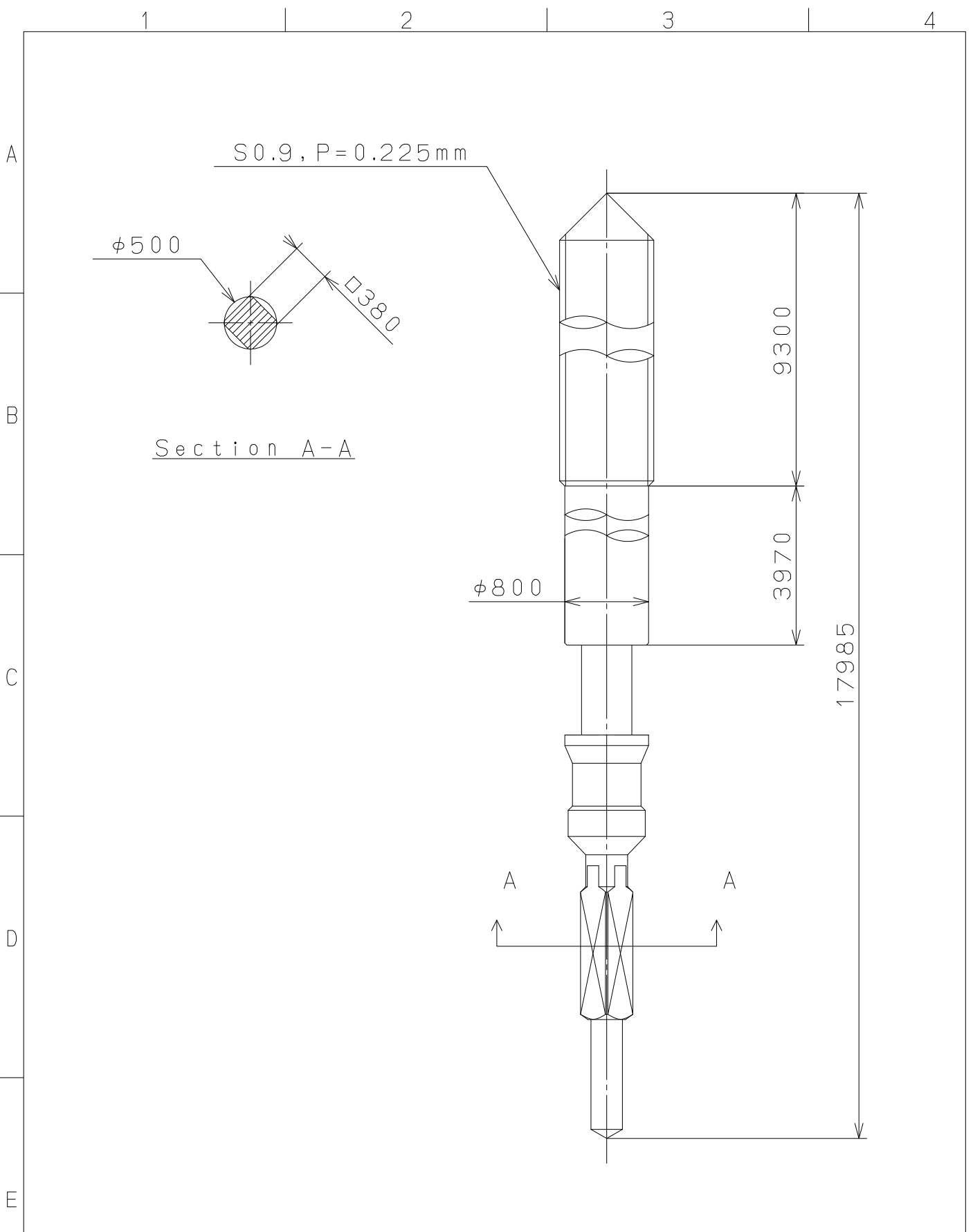
Material	Alterations	Date	Description	Appr.	Checked	Drawn	Name:
Heat Treatment							D. Yamada
Hardness							Frame for Case
Plating							Drawing No.: 2S6000C0
Quantity	Unit	Scale	Parts No.:	Cal. NO.: 2S60			
1	1/1000 mm	7:1		Parts No.:			
<p style="text-align: center;">Miyota</p> <p style="text-align: center;">CITIZEN WATCH CO., LTD. TOKYO, JAPAN</p>							

This drawing is provisional and subject to our reconfirmation and/or revision without notice.



△			Quantity		Cal.NO.:
△			Unit	1 / 1000 mm	2S60-00A
△			Scale	5 : 1	Parts No.:
△			Date		
△			Drawn		
Mark	Date	Description	Appr.	Checked	Name:
		Alterations	Approved	D. Yamada	
Material					Indications for Dial
Heat Treatment					Drawing No.: 2S6000D0
Hardness			General Tolerances		MIYOTA
Plating			Dimensions		
			Angles		CITIZEN WATCH CO., LTD. TOKYO, JAPAN

This drawing is provisional and subject to our reconfirmation and/or revision without notice.



△5			Quantity		Cal.NO.:
△4			Unit	1 / 1000 mm	
△3			Scale	20 : 1	Parts No.:
△2			Date		065-501
△1			Drawn		
Mark	Date	Description	Appr.	Checked	D. Yamada
Alterations			Approved	Name: SETTING STEM	
Material					Drawing No.: 501000S0
Heat Treatment					MIYOTA
Hardness					
Plating					
					CITIZEN WATCH CO., LTD. TOKYO, JAPAN