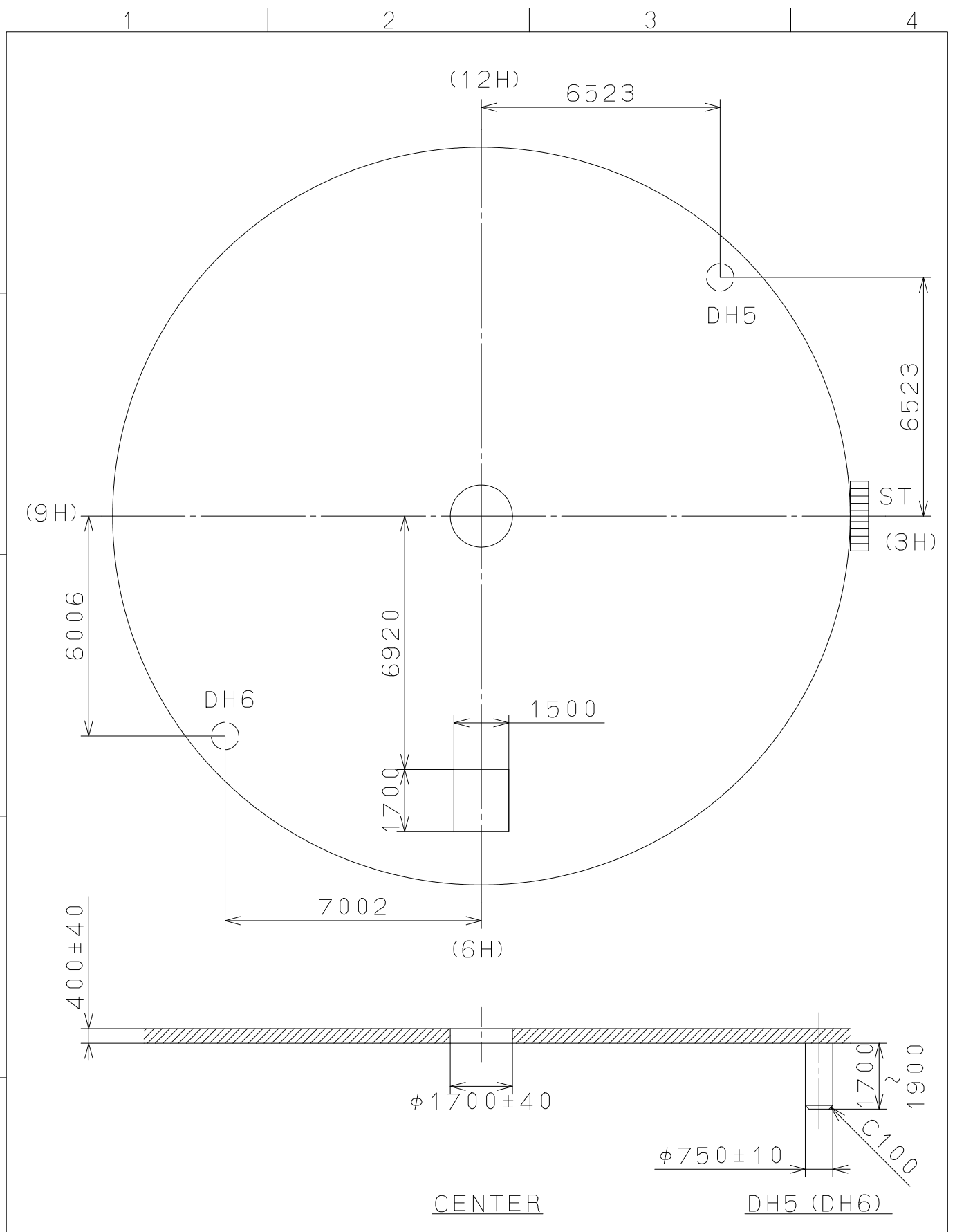
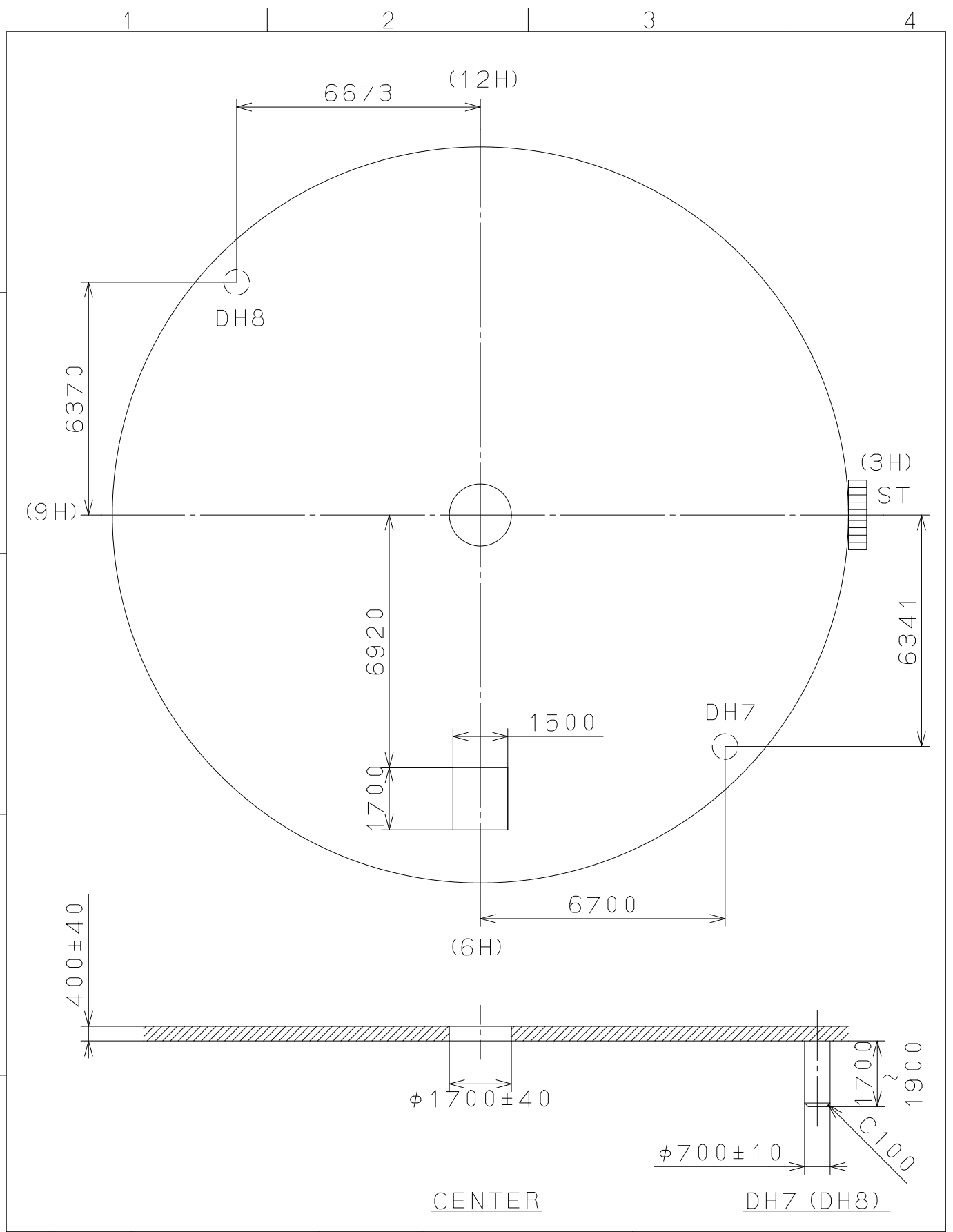


This drawing is provisional and subject to our reconfirmation and/or revision without notice.



△			Quantity		Cal.NO.:
△			Unit	1 / 1000 mm	GN12-10X
△			Scale	7 : 1	Parts No.:
△			Date		
△			Drawn		
Mark	Date	Description	Appr.	Checked	D. Yamada
Alterations			Approved	Name:	
Material			Indications for Dial		
Heat Treatment			Drawing No.: GN1202D0		
Hardness			General Tolerances		
Plating			Dimensions		
			Angles		
MIYOTA					
CITIZEN WATCH CO., LTD. TOKYO, JAPAN					

This drawing is provisional and subject to our reconfirmation and/or revision without notice.



△			Quantity		Cal.NO.:
△			Unit	1 / 1000 mm	GN12-10X
△			Scale	7 : 1	Parts No.:
△			Date		
△			Drawn		
Mark	Date	Description	Appr.	Checked	Name:
		Alterations		Approved	D. Yamada
Material					Indications for Dial
Heat Treatment					Drawing No.: GN1203D0
Hardness					MIYOTA
Plating					