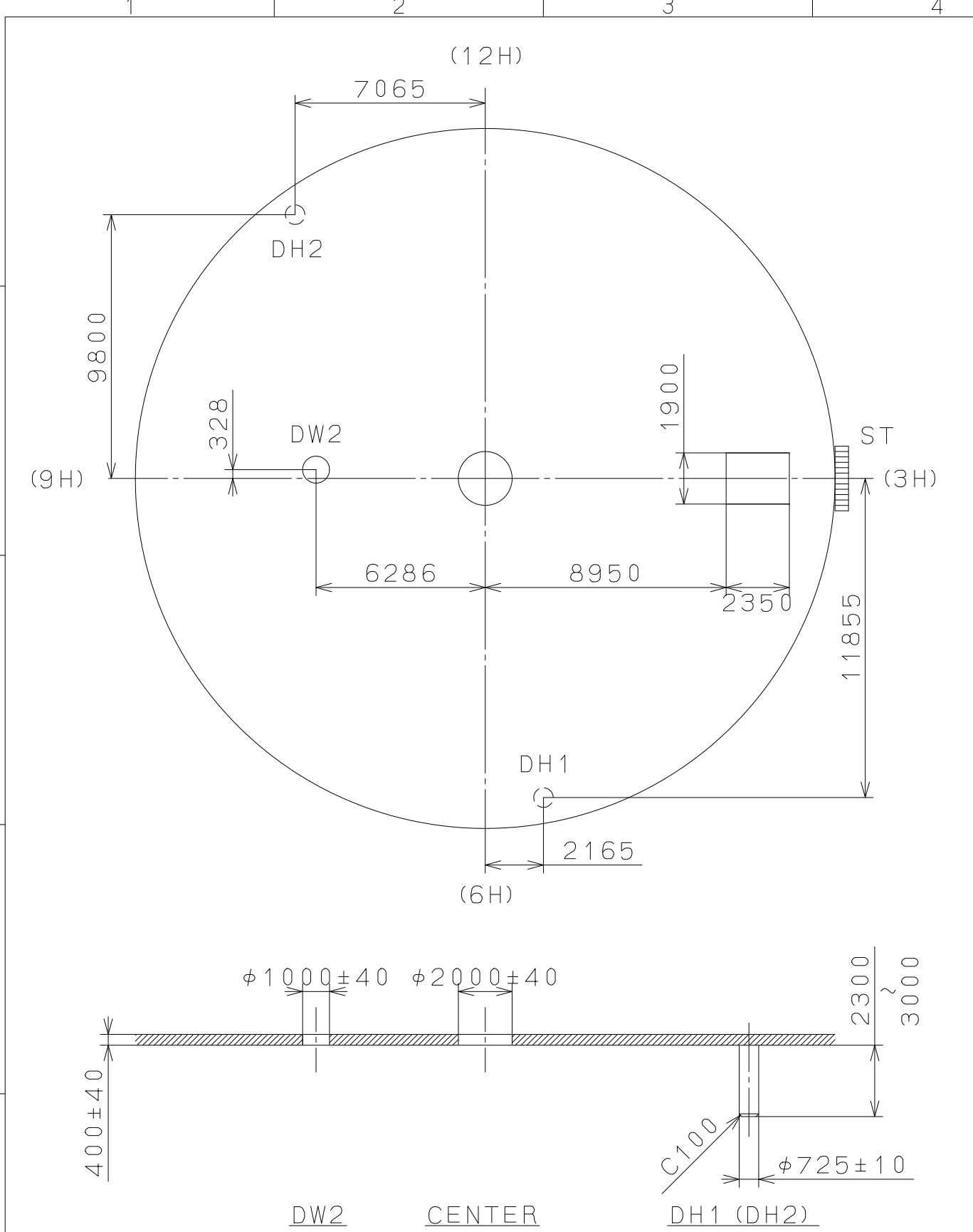


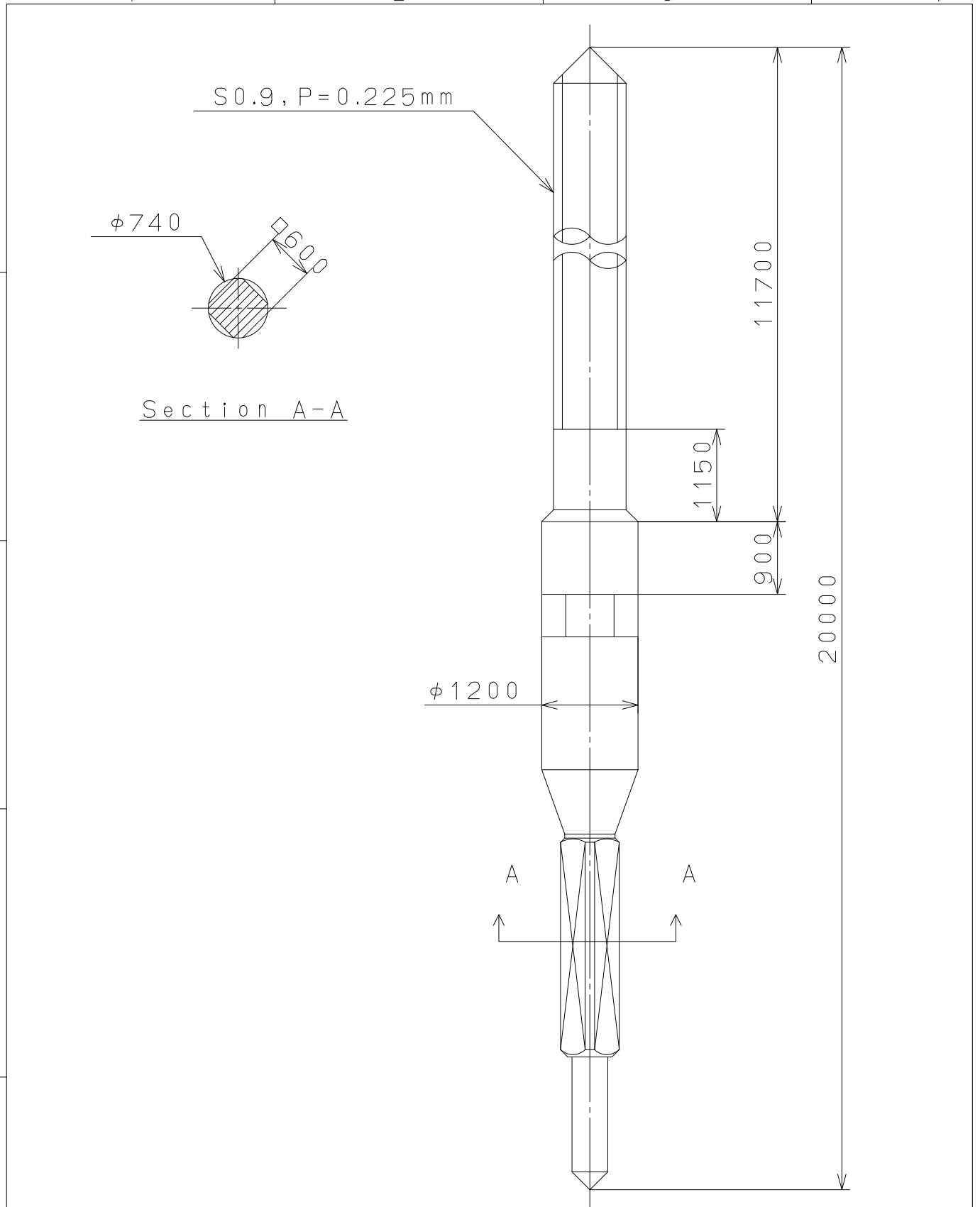
Material	Alterations	Mark	Date	Quantity	Unit	Cal. NO.:
Heat Treatment	Description	Date	Checked	1 / 1000	mm	82117
Hardness	Appr.	Drawn	Approved	Scale	7 : 1	Parts No.:
Plating			D. Yamada			
General Tolerances			Name: Frame for Case			
Dimensions			Drawing No.: 821700C0			
Angles			Miyota			
			CITIZEN WATCH CO., LTD. TOKYO, JAPAN			

This drawing is provisional and subject to our reconfirmation and/or revision without notice.



△			Quantity		Cal.NO.:
△			Unit	1 / 1000 mm	8217-43G
△			Scale	5 : 1	Parts No.:
△			Date		
△			Drawn		
Mark	Date	Description	Appro.	Checked	Name:
		Alterations	Approved	D. Yamada	Indications for Dial
Material					Drawing No.: 821702D0
Heat Treatment			General Tolerances		<b>MIYOTA</b>
Hardness			Dimensions		
Plating			Angles		
					CITIZEN WATCH CO., LTD. TOKYO, JAPAN

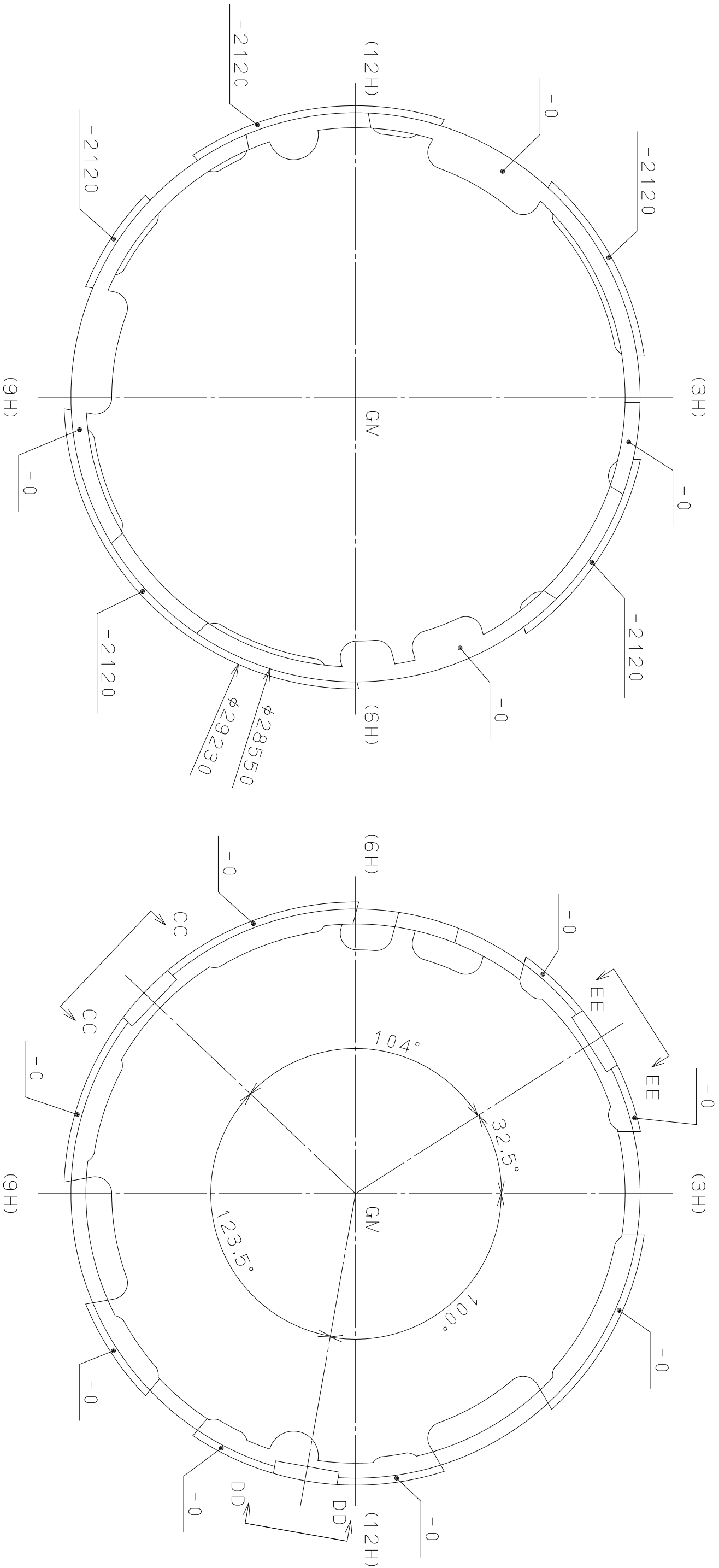
This drawing is provisional and subject to our reconfirmation and/or revision without notice.



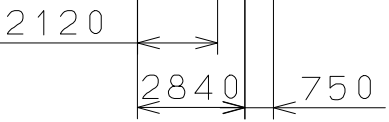
△			Quantity		Cal.NO.:
△			Unit	1/1000mm	
△			Scale	15:1	Parts No.:
△			Date		065-212
△			Drawn		Name:
Mark	Date	Description	Appr.	Checked	D. Yamada
Alterations			Approved	SETTING STEM	
Material					Drawing No.: 212000S0
Heat Treatment					<b>MIYOTA</b>
Hardness					
Plating					
					CITIZEN WATCH CO., LTD. TOKYO, JAPAN

A B C D E F

1 2 3 4 5 6 7 8



View CC-CC  
DD-DD, EE-EE



Quantity	Unit	1/1000 mm	Cal. NO.:
Scale	Scale	5 : 1	Parts No.:
Date	Date		500-710
Drawn	Drawn		
Checked	Checked		
Approved	Approved	D. Yamada	Name:
Alterations	Alterations		Casing Holder
Material	Material		Drawing No.: 820500E0
Heat Treatment	Heat Treatment		
Hardness	Hardness		
Plating	Plating		
General Tolerances	General Tolerances		
Dimensions	Dimensions		
Angles	Angles		

**MIYOTA**  
CITIZEN WATCH CO., LTD. TOKYO, JAPAN