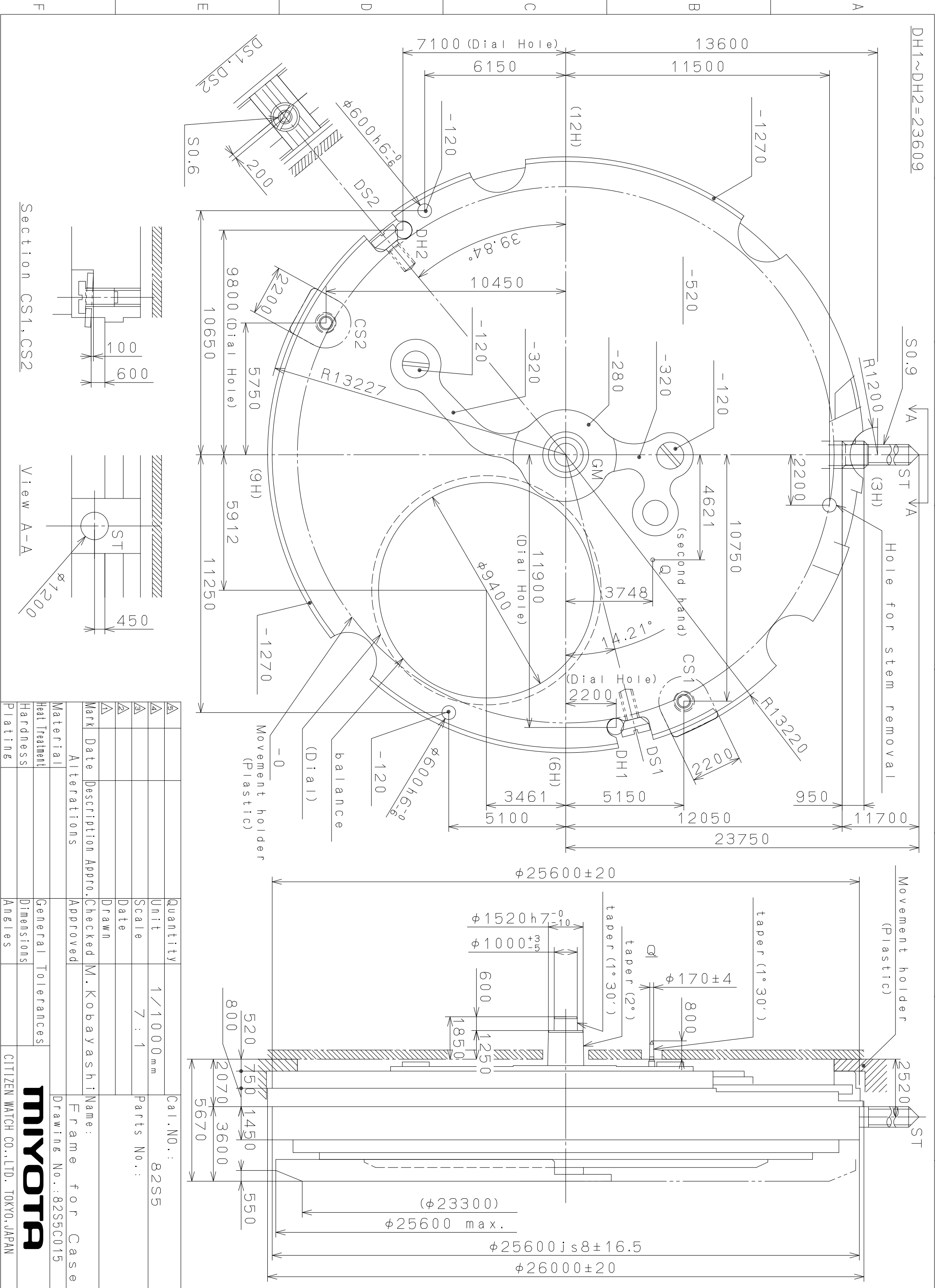
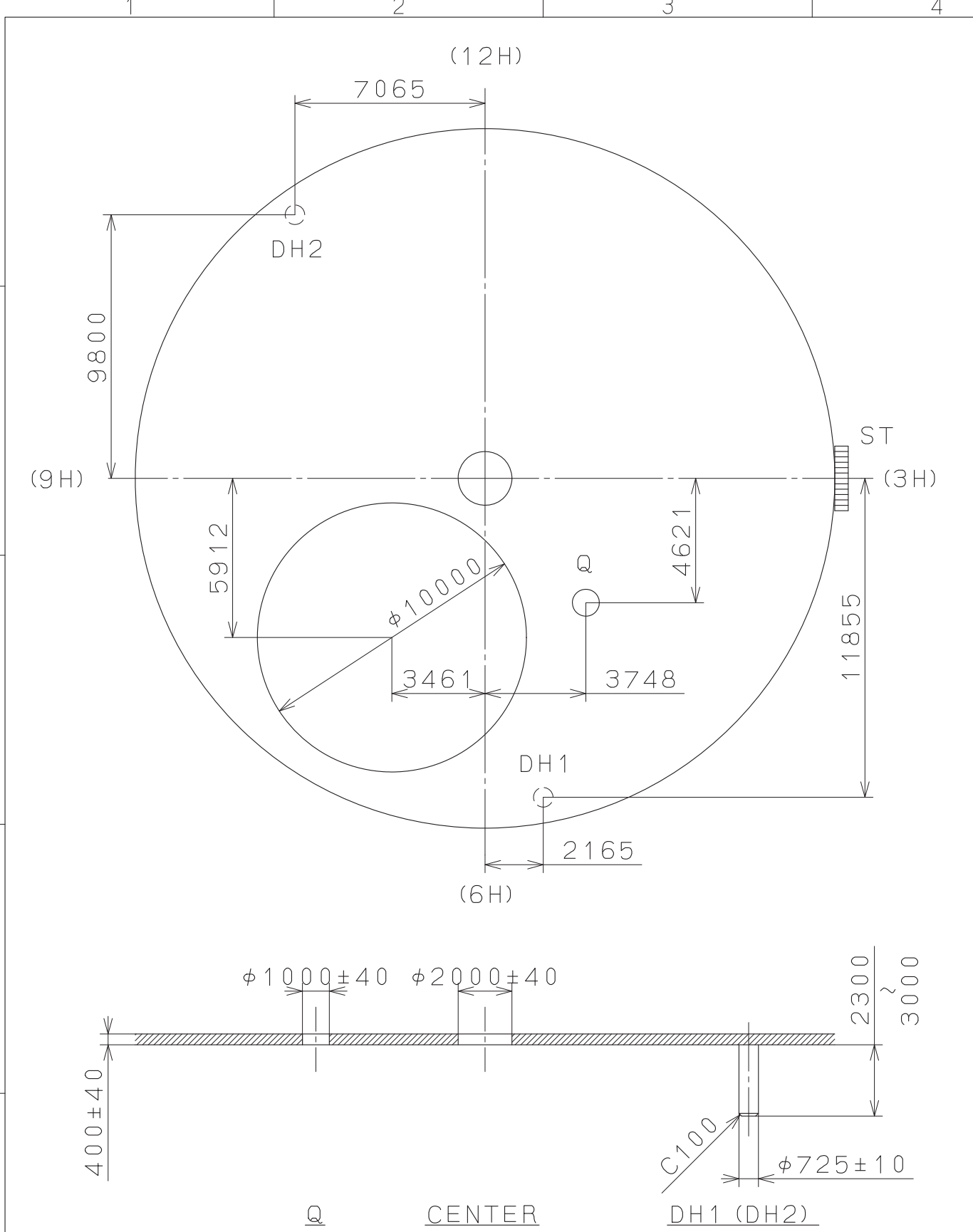


This drawing is provisional and subject to our reconfirmation and/or revision without notice.



2008/05/13 (14:07:18)

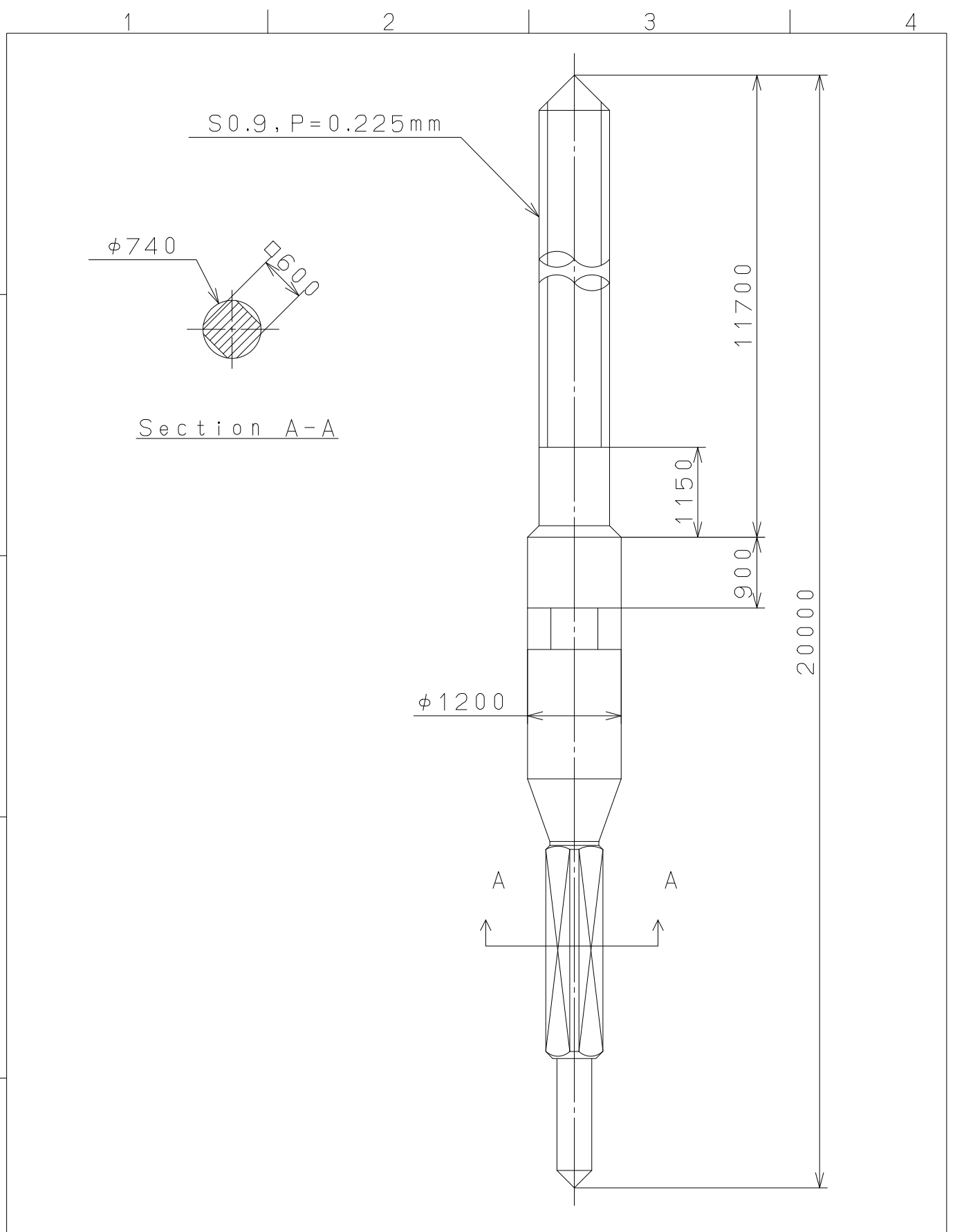
This drawing is provisional and subject to our reconfirmation and/or revision without notice.



| | | | | | |
|----------------|------|-------------|----------|--------------------|--------------------------------------|
| △ | | | Quantity | | Cal.NO.: 82S5-43A |
| △ | | | Unit | 1 / 1000 mm | |
| △ | | | Scale | 5 : 1 | Parts No.: |
| △ | | | Date | | |
| △ | | | Drawn | | |
| Mark | Date | Description | Appr. | Checked | Name: |
| | | Alterations | | Approved | Indications for Dial |
| Material | | | | | Drawing No.: 82S5D000 |
| Heat Treatment | | | | General Tolerances | MIYOTA |
| Hardness | | | | Dimensions | |
| Plating | | | | Angles | |
| | | | | | CITIZEN WATCH CO., LTD. TOKYO, JAPAN |

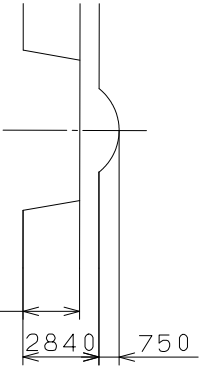
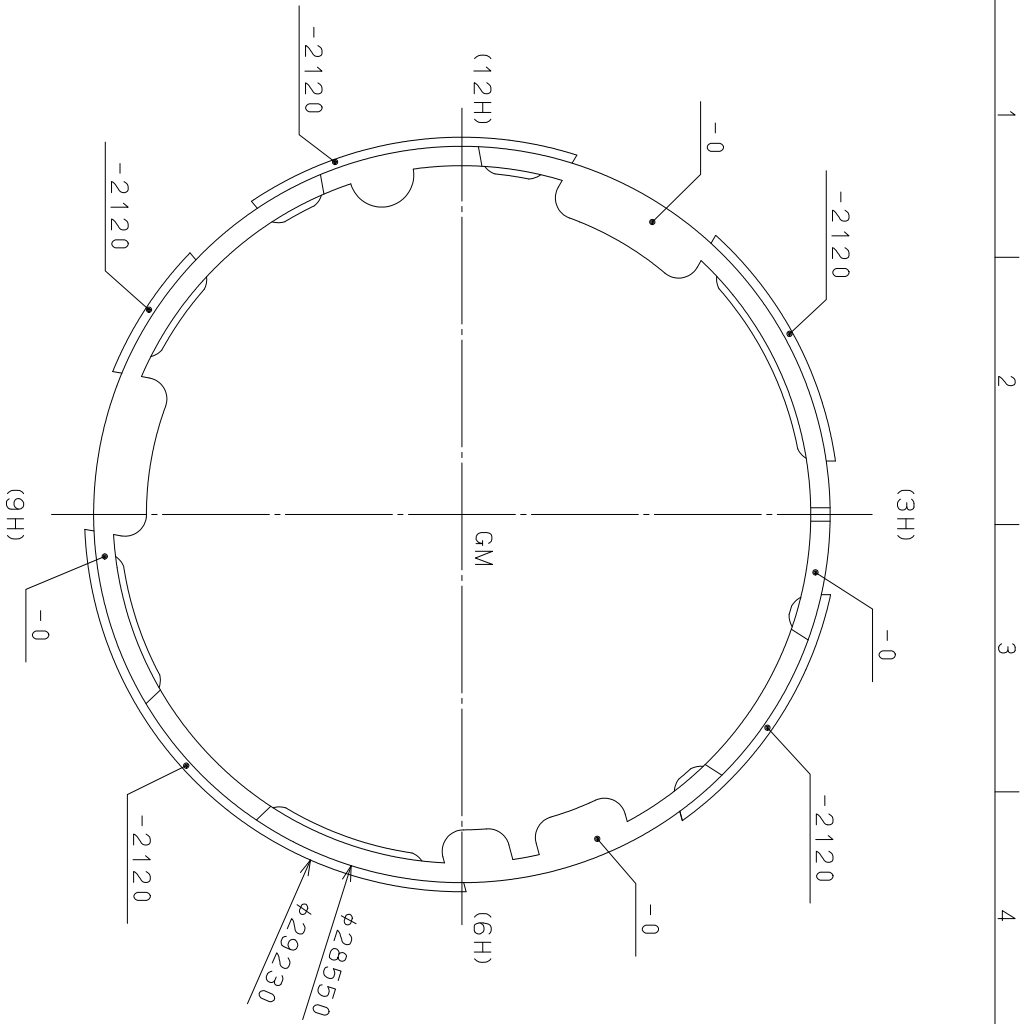
2008/11/14 (11:30:42)

This drawing is provisional and subject to our reconfirmation and/or revision without notice.

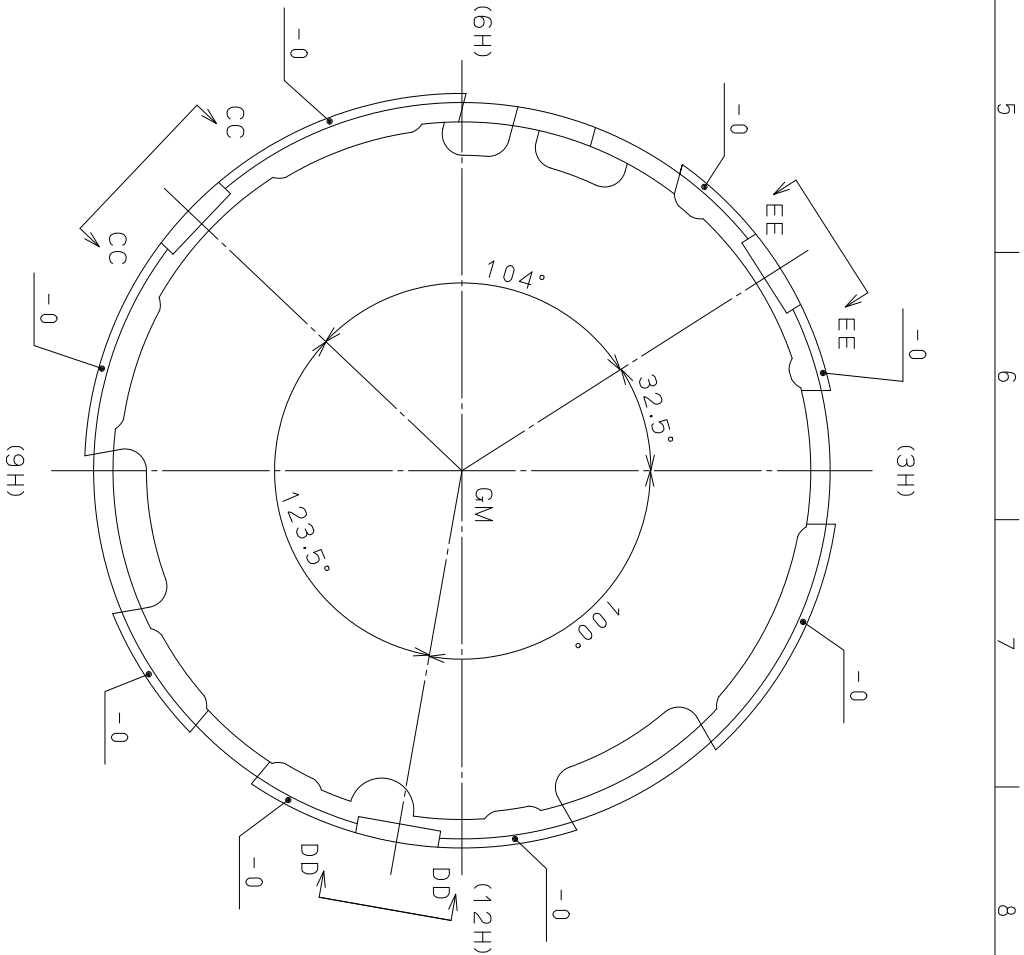


| | | | | | |
|----------------|--------------------|-------------|----------|--------------|--------------------------------------|
| ⑤ | | | Quantity | | Cal.NO.: |
| ④ | | | Unit | 1/1000mm | |
| ③ | | | Scale | 15:1 | Parts No.: |
| ② | | | Date | | 065-212 |
| ① | | | Drawn | | Name: |
| Mark | Date | Description | Appr. | Checked | N. Suzuki |
| Alterations | | | Approved | SETTING STEM | |
| Material | | | | | Drawing No.: 2120S001 |
| Heat Treatment | General Tolerances | | | | MIYOTA |
| Hardness | Dimensions | | | | |
| Plating | Angles | | | | |
| | | | | | CITIZEN WATCH CO., LTD. TOKYO, JAPAN |

This drawing is provisional and subject to our reconfirmation and/or revision without notice.



View CC-CC
DD-DD, EE-EE



| | | | |
|----------------|--------------------|-----------|-----------------------|
| △ | Quantity | 1/1000 mm | Call. NO.: |
| △ | Unit | 5 : 1 | Parts No.: |
| △ | Scale | 500-710 | |
| △ | Date | | |
| △ | Date | | |
| △ | Drawn | | |
| Mark | Date | Checked | Name: |
| Alterations | Description | Approved | Casing Holder |
| Material | | | Drawing No.: 8200E003 |
| Heat Treatment | | | |
| Hardness | | | |
| Plating | | | |
| | General Tolerances | | |
| | Dimensions | | |
| | Angles | | |

MIYOTA

CITIZEN WATCH CO., LTD. TOKYO, JAPAN