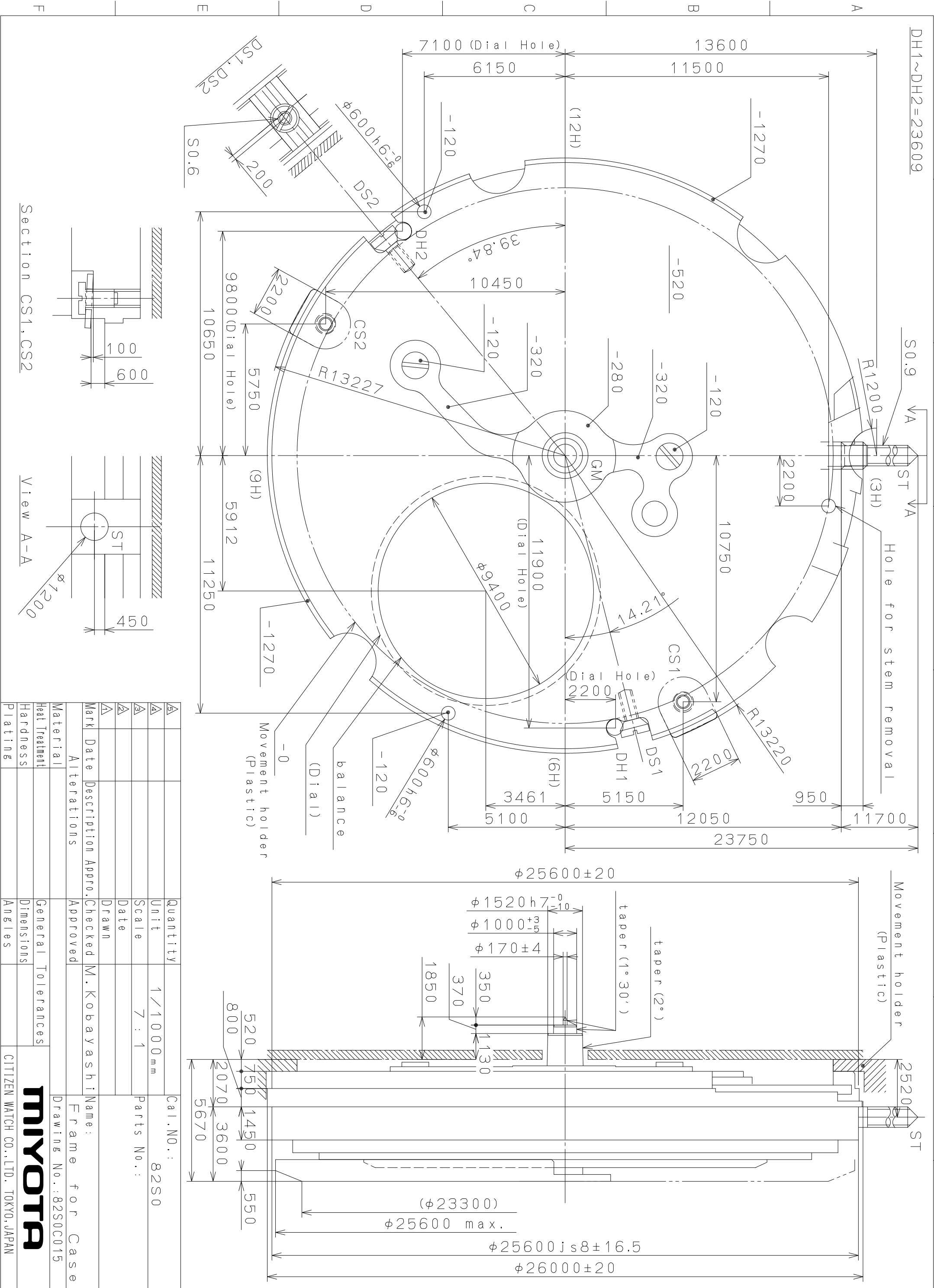


This drawing is provisional and subject to our reconfirmation and/or revision without notice.



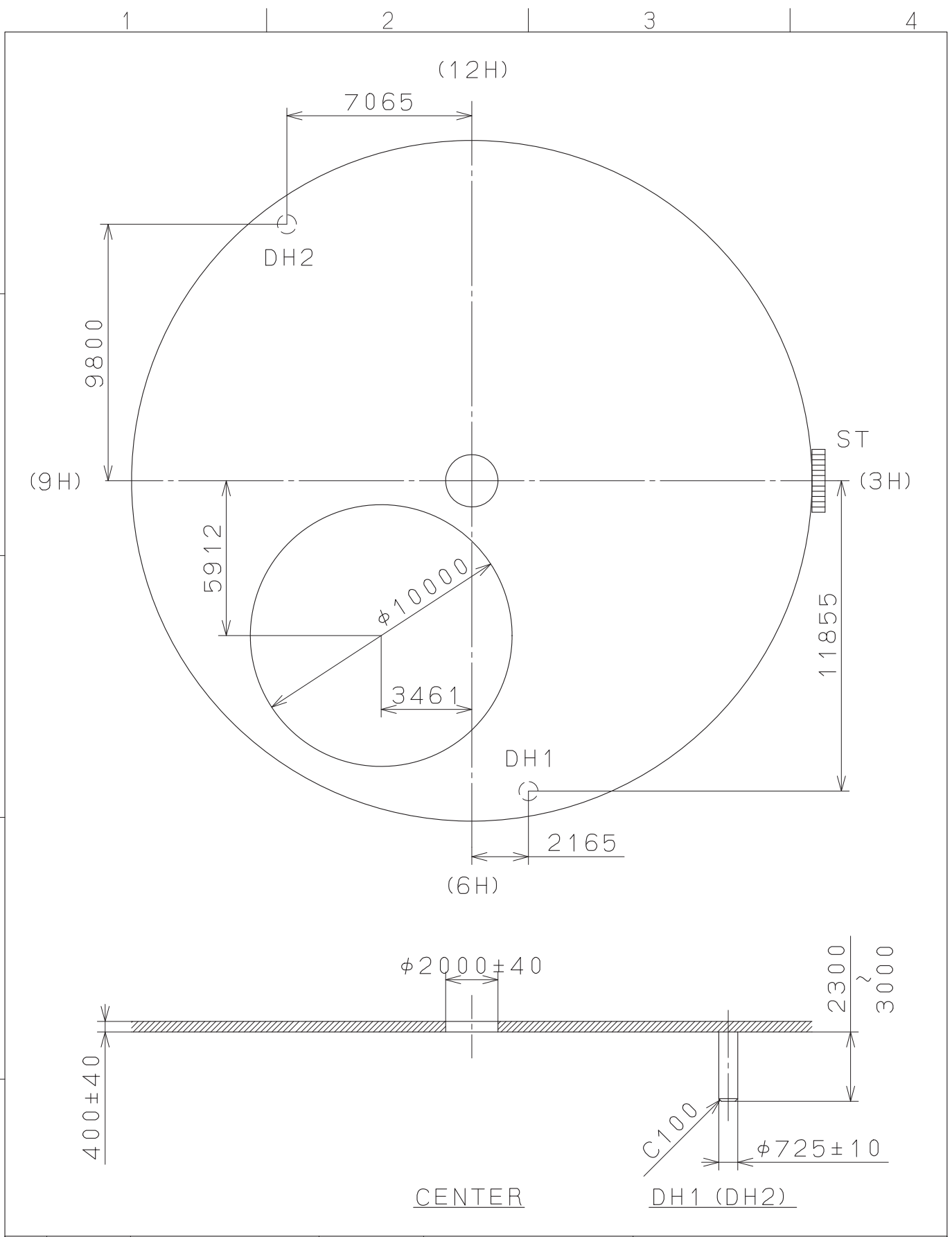
Section CS1, CS2

View A-A

Material	Alterations	Quantity	Unit	1/1000 mm	Cal. NO.:	82S0
Heat Treatment	Date	Scale	Date	7 : 1	Parts No.:	
Hardness	Drawn	Checked	Approved	M. Kobayashi	Name:	Frame for Case
Plating	Angles	Dimensions	General Tolerances		Drawing No.:	82S0C015
						<b>MIYOTA</b>
						CITIZEN WATCH CO., LTD. TOKYO, JAPAN

2008/05/13 (14:06:23)

This drawing is provisional and subject to our reconfirmation and/or revision without notice.

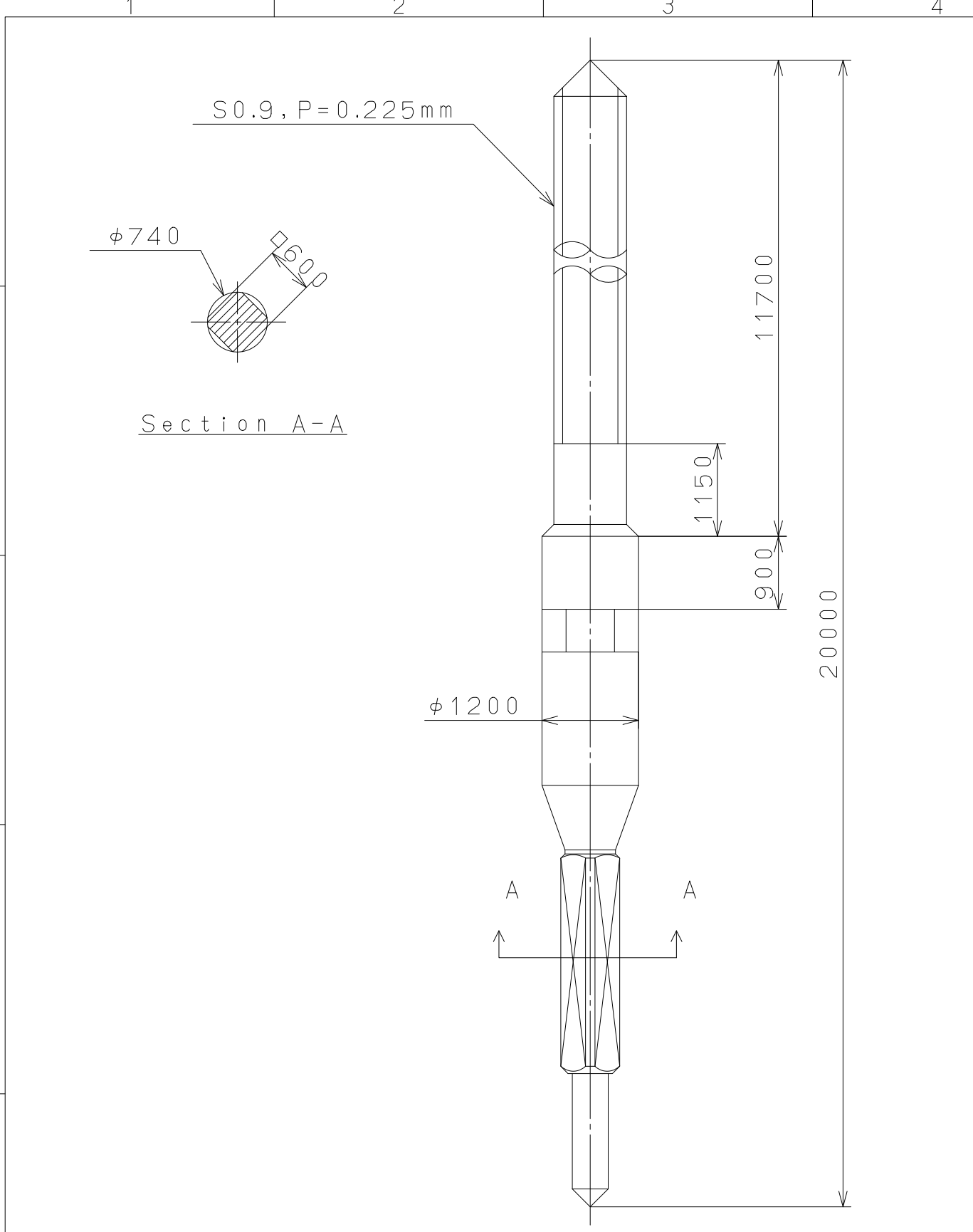


△			Quantity		Cal. NO. : <b>82S0-43A</b>
△			Unit	1 / 1000 mm	
△			Scale	5 : 1	Parts No. :
△			Date		
△			Drawn		
Mark	Date	Description	Appro.	Checked	Name :
		Alterations		Approved	Indications for Dial
Material					Drawing No. : 82S0D000
Heat Treatment				General Tolerances	<b>MIYOTA</b>
Hardness				Dimensions	
Plating				Angles	
					CITIZEN WATCH CO., LTD. TOKYO, JAPAN

2008/11/14 (11:30:42)

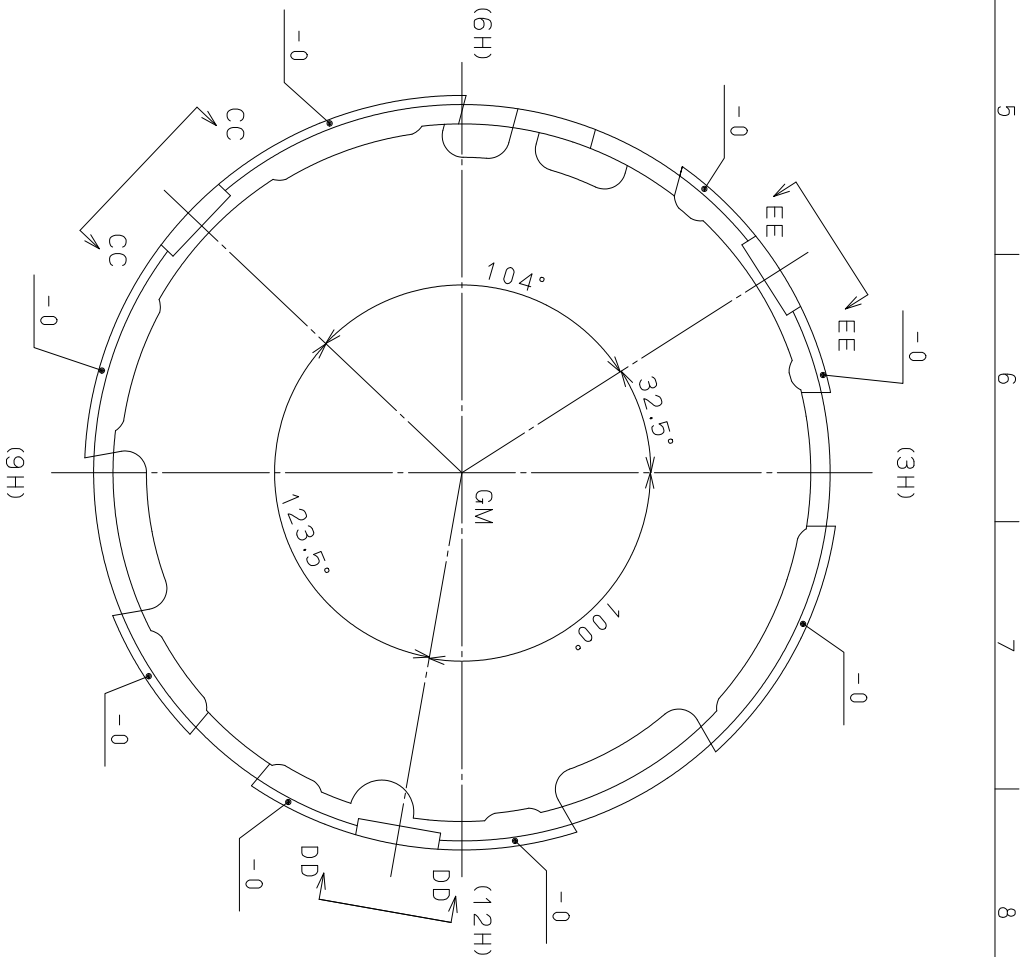
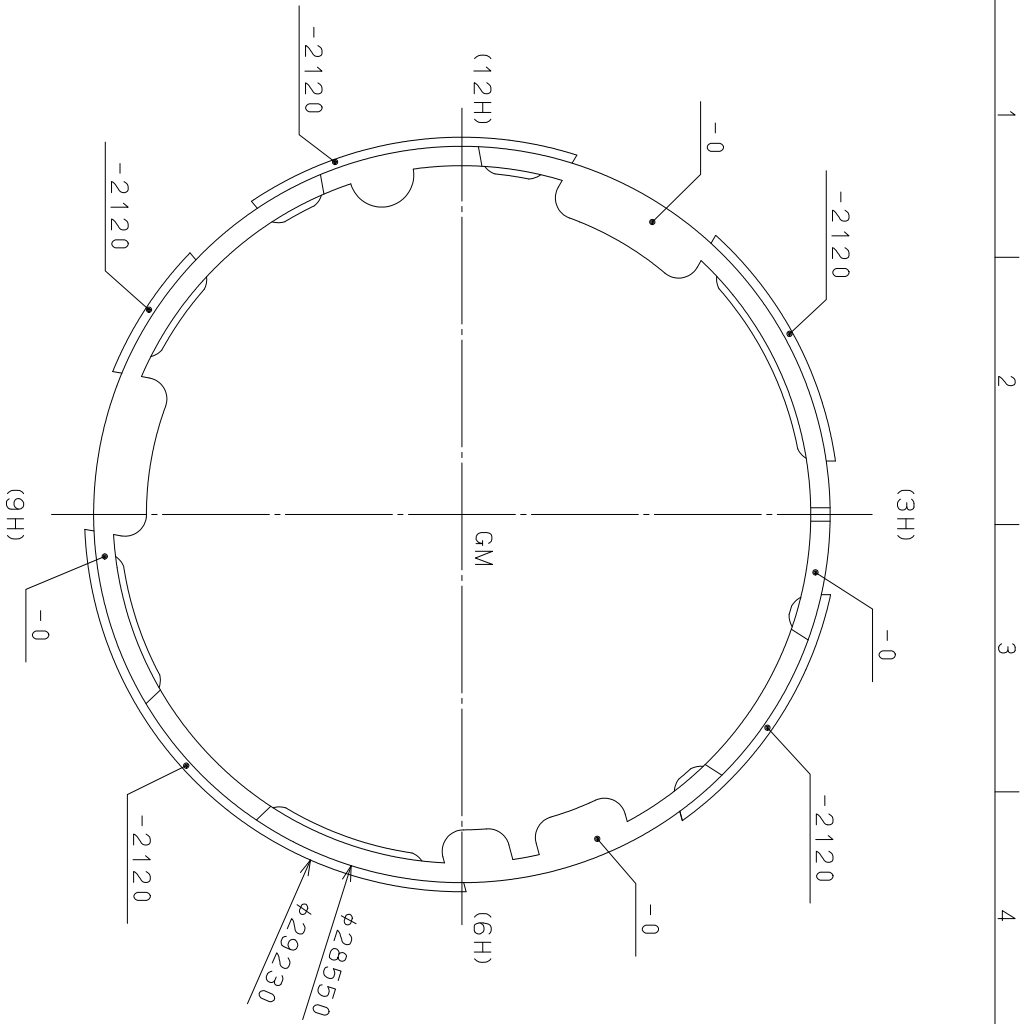
This drawing is provisional and subject to our reconfirmation and/or revision without notice.

A  
B  
C  
D  
E  
F

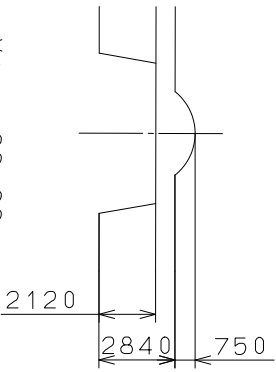


△			Quantity		Cal.NO.:
△			Unit	1/1000mm	
△			Scale	15:1	Parts No.:
△			Date		065-212
△			Drawn		
Mark	Date	Description	Appr.	Checked	Name:
		Alterations	Approved	N. Suzuki	SETTING STEM
Material					Drawing No.: 2120S001
Heat Treatment			General Tolerances	<b>MIYOTA</b> CITIZEN WATCH CO., LTD. TOKYO, JAPAN	
Hardness			Dimensions		
Plating			Angles		

This drawing is provisional and subject to our reconfirmation and/or revision without notice.



View CC-CC  
DD-DD, EE-EE



△	Quantity	1/1000 mm	Call. NO.:
△	Unit	5 : 1	Parts No.:
△	Scale	Drawn	500-710
△	Date	Checked	Name:
△	Mark	Approved	N. Suzuki
△	Date	Approved	Casing Holder
△	Material	Alterations	Drawing No.: 8200E003
△	Heat Treatment	General Tolerances	<b>MIYOTA</b>
△	Hardness	Dimensions	
△	Plating	Angles	
			CITIZEN WATCH CO., LTD. TOKYO, JAPAN