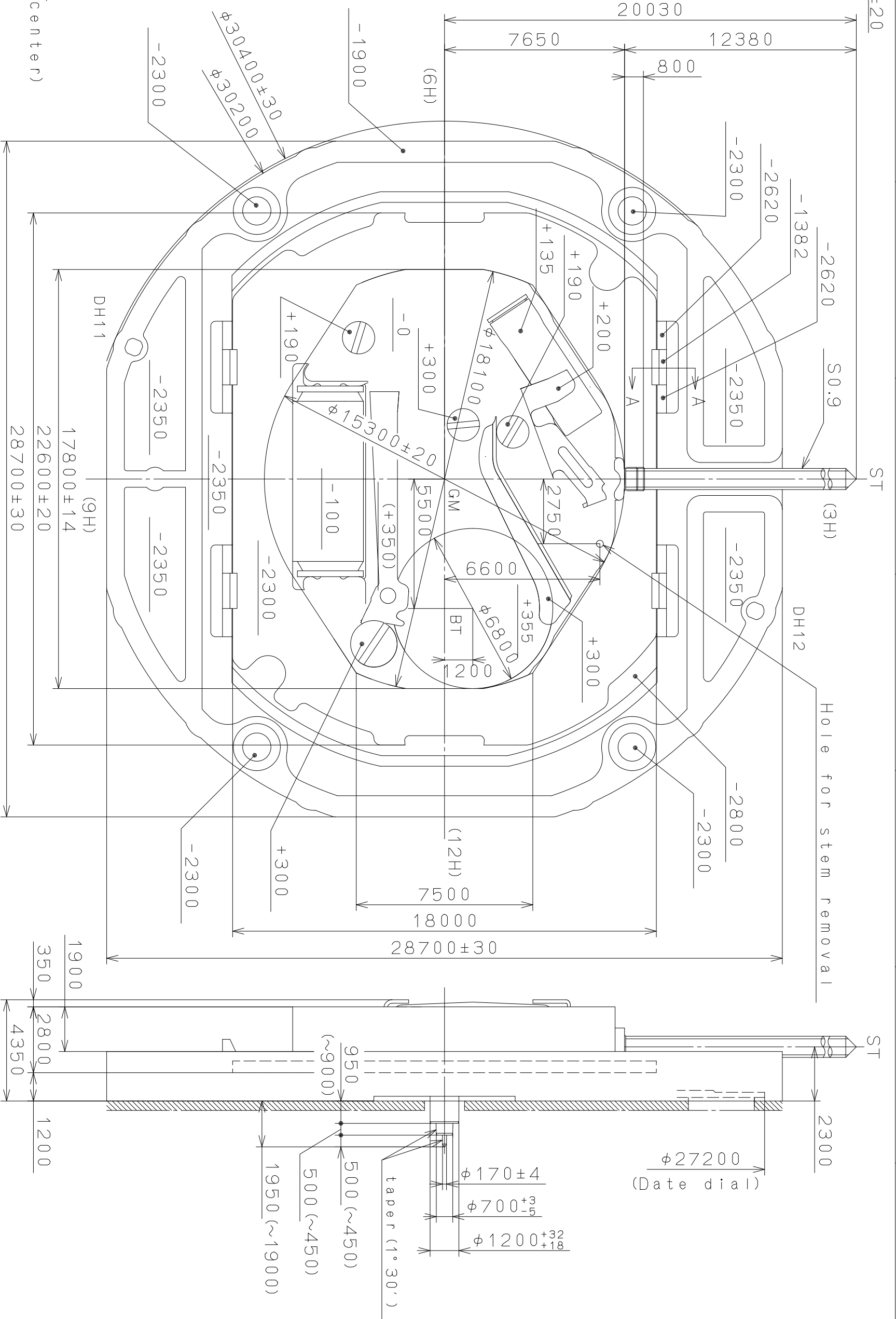


This drawing is provisional and subject to our reconfirmation and/or revision without notice.

Coordinates		
Mark	X	Y
GM	0	0
DH11	-5600	-13200
DH12	5600	13200

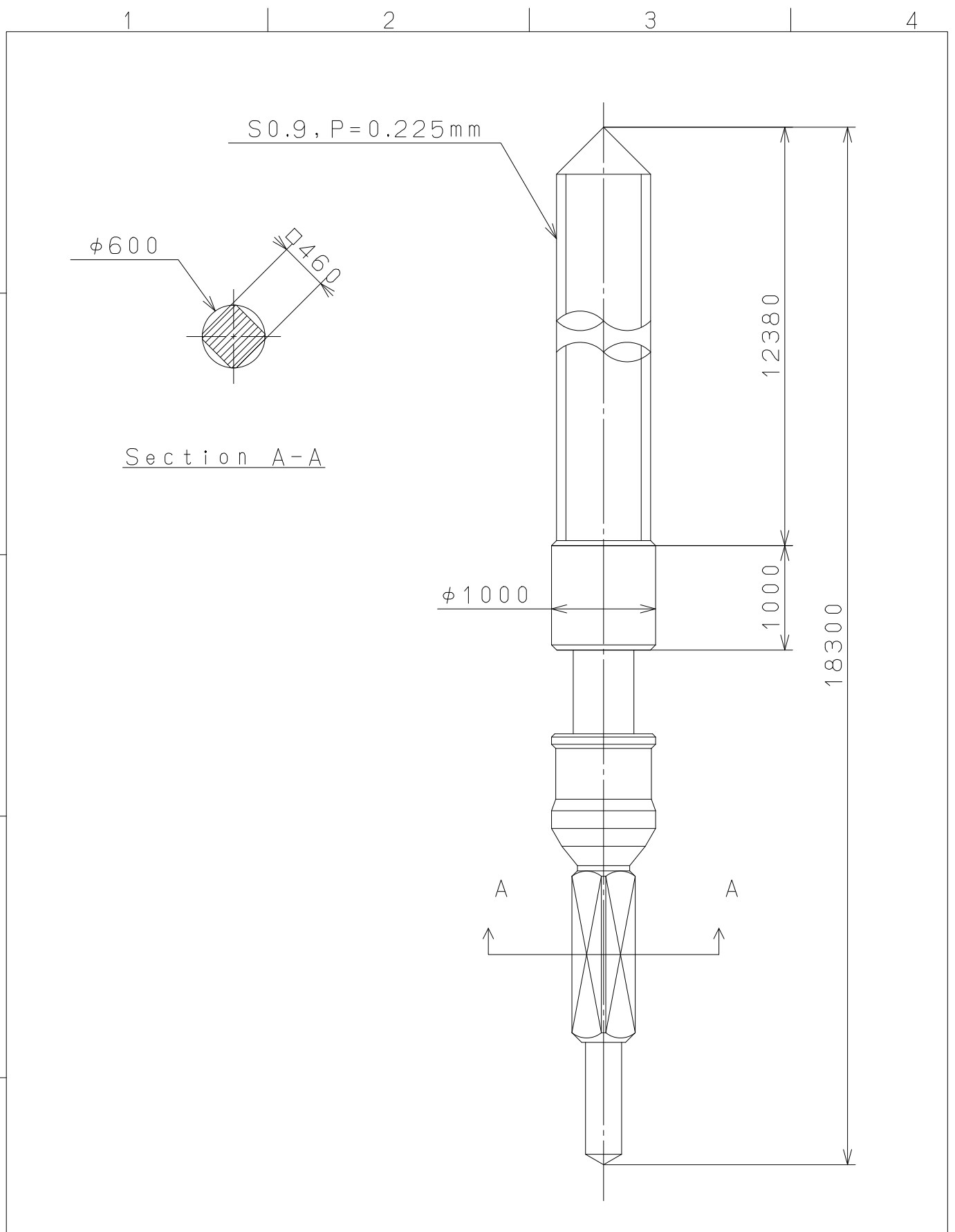


Section A-A (other hook)

Quantity	Unit	Cal. NO.:
1	1/1000 mm	2415
Scale	6 : 1	Parts No.:
Date	Drawn	Name:
Mark	Date	D. Yamada
Alterations	Description	Checked
Material	Alterations	Approved
Heat Treatment	Material	General Tolerances
Hardness	Heat Treatment	Dimensions
Plating	Hardness	Angles
	Plating	

Material: **MIYOTA**
 Drawing No.: 241500C0
 CITIZEN WATCH CO., LTD. TOKYO, JAPAN

This drawing is provisional and subject to our reconfirmation and/or revision without notice.



△5			Quantity		Cal.NO.:
△4			Unit	1 / 1000 mm	
△3			Scale	20 : 1	Parts No.:
△2			Date		065-299
△1			Drawn		
Mark	Date	Description	Appro.	Checked	D. Yamada
Alterations			Approved	Name:	
			SETTING STEM		
Material					Drawing No.: 299000S0
Heat Treatment					MIYOTA CITIZEN WATCH CO., LTD. TOKYO, JAPAN
Hardness	General Tolerances				
Plating	Dimensions				
	Angles				