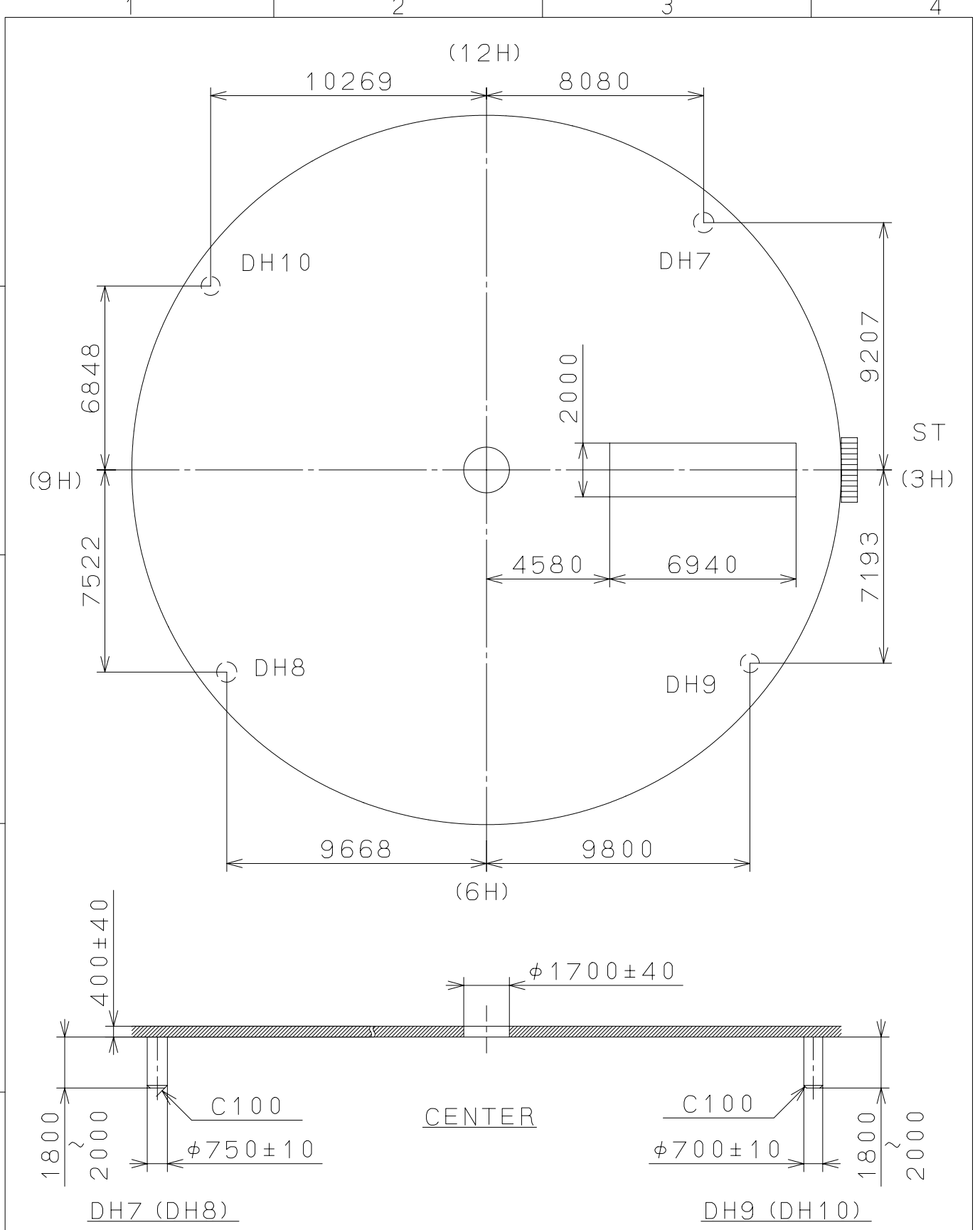


2005/02/15 (14:24:49)

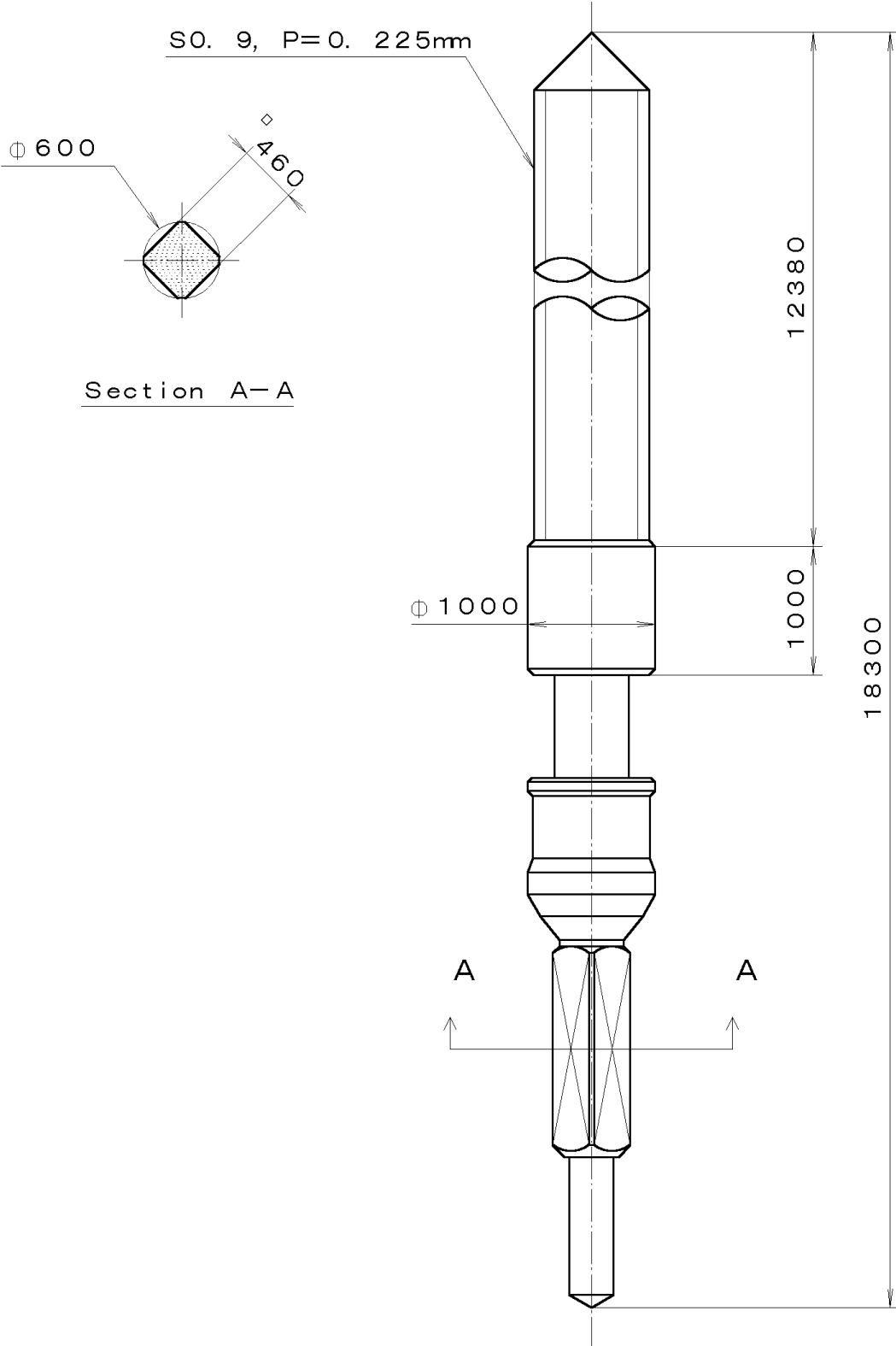
This drawing is provisional and subject to our reconfirmation and/or revision without notice.



△			Quantity			Cal.NO.:2305-00A
△			Unit	1 / 1000 mm		
△			Scale	5 / 1		Parts No.:
△				Date	Name	
△			Drawn			
Mark	Date	Description	Appro.	Checked	M.Fukuda	Name:
Alterations			Approved			Indications for Dial
Material					Drawing No.:2305D000	
Heat Treatment					MIYOTA	
Hardness						
Plating						

This drawing is provisional and subject to our reconfirmation and/or revision without notice.

*** T I P W (01) *** (2100 1121) 00-06-23



7			Quantity		Ca l. No. :
6			Unit	1/1000 mm	
5			Scale	20:1	Parts:
4			Date		065-299
3			Drawn		
2			Checked	T. Hiruta	Name:
1			Approved		SETTING STEM
Material					Drawing No. : 2990S000
Heat Treatment			General Tolerances		
Hardness			Dimensions		
Plating			Angles		