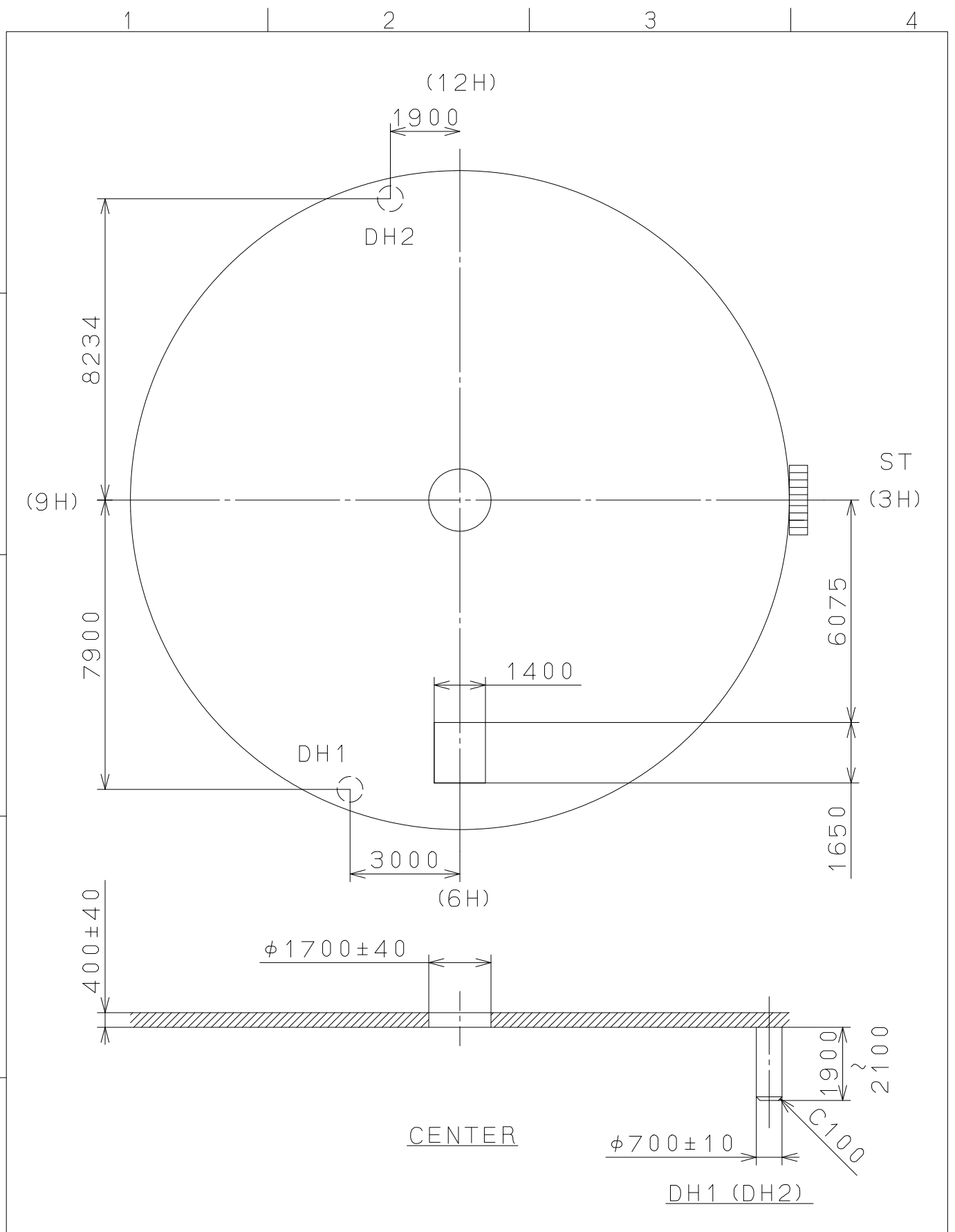
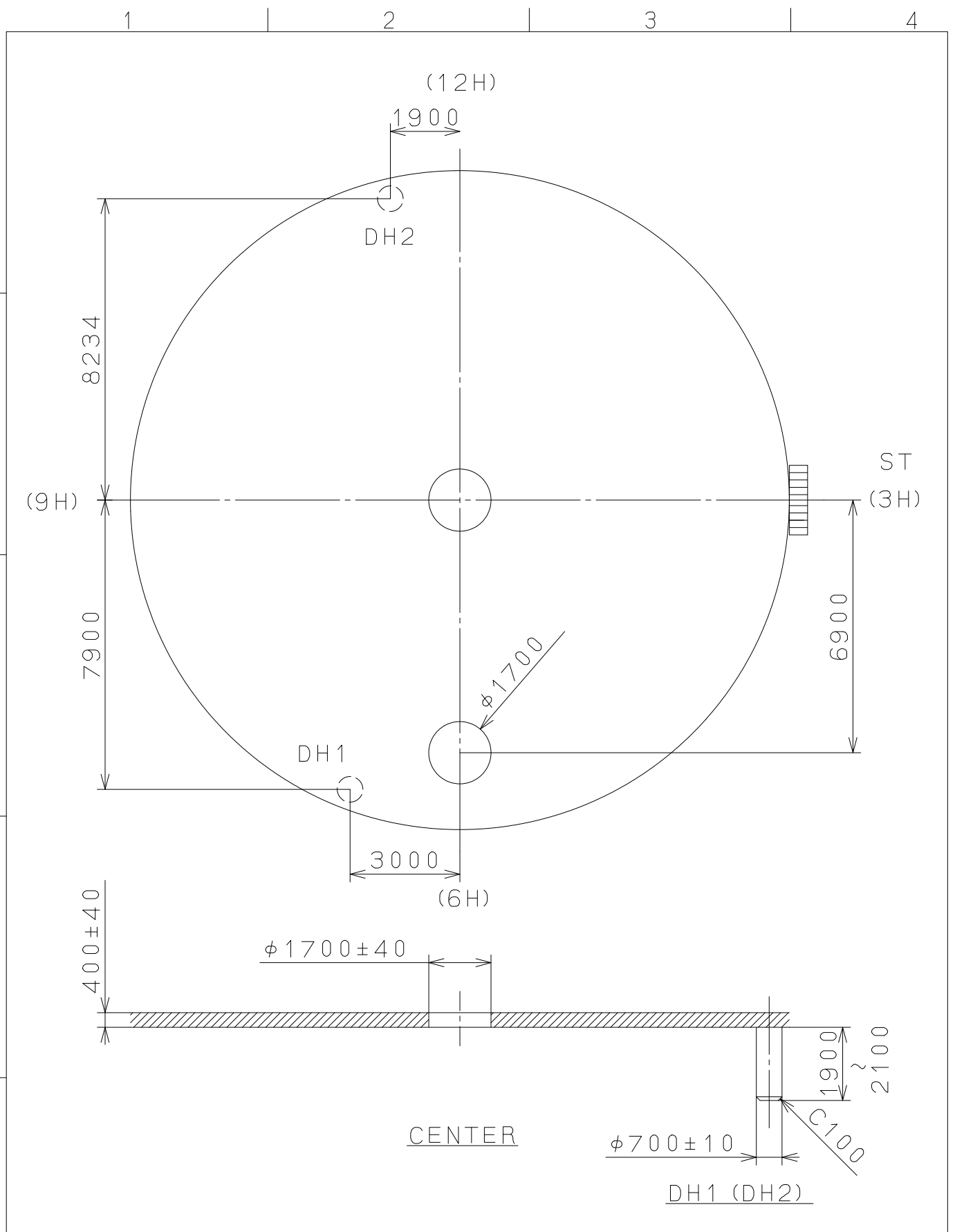


This drawing is provisional and subject to our reconfirmation and/or revision without notice.



△			Quantity		Cal. NO. <b>9T13-00V</b>
△			Unit	1 / 1000 mm	
△			Scale	7 : 1	Parts No.:
△			Date		
△			Drawn		
Mark	Date	Description	Appr.	Checked M. Kobayashi	Name:
Alterations			Approved		Indications for Dial
Material					Drawing No.: 9T15D010
Heat Treatment					<b>MIYOTA</b>
Hardness					
Plating					
					CITIZEN WATCH CO., LTD. TOKYO, JAPAN

This drawing is provisional and subject to our reconfirmation and/or revision without notice.



△			Quantity		Cal. NO.	9T13-00V
△			Unit	1 / 1000 mm	Parts No.:	
△			Scale	7 : 1		
△			Date			
△			Drawn			
Mark	Date	Description	Appr.	Checked	M. Kobayashi	Name:
Alterations			Approved			Indications for Dial
Material					Drawing No.: 9T15D020	
Heat Treatment					<b>MIYOTA</b> CITIZEN WATCH CO., LTD. TOKYO, JAPAN	
Hardness						
Plating						