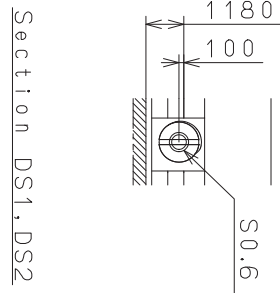
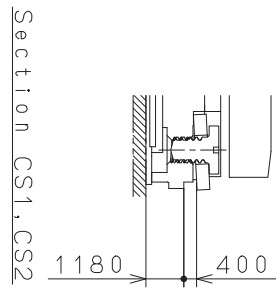
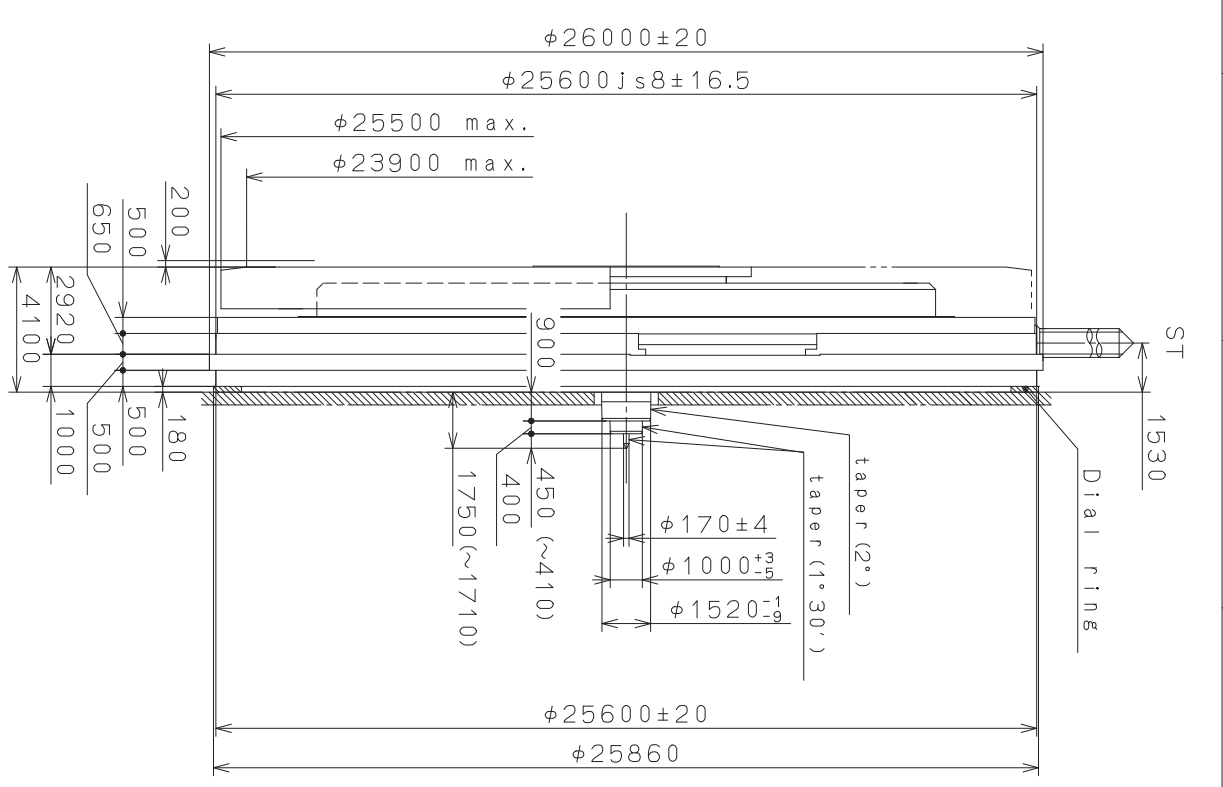
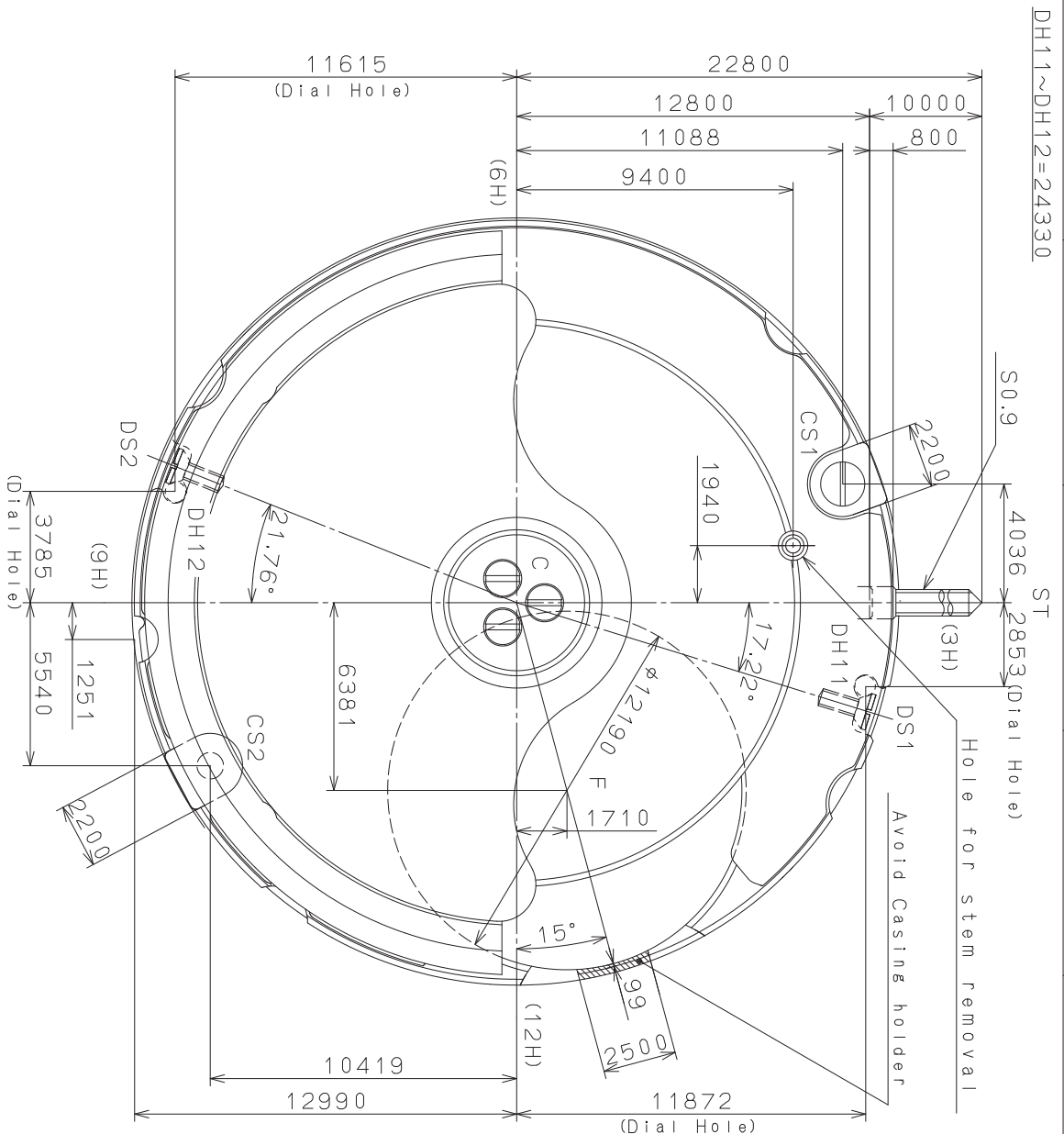
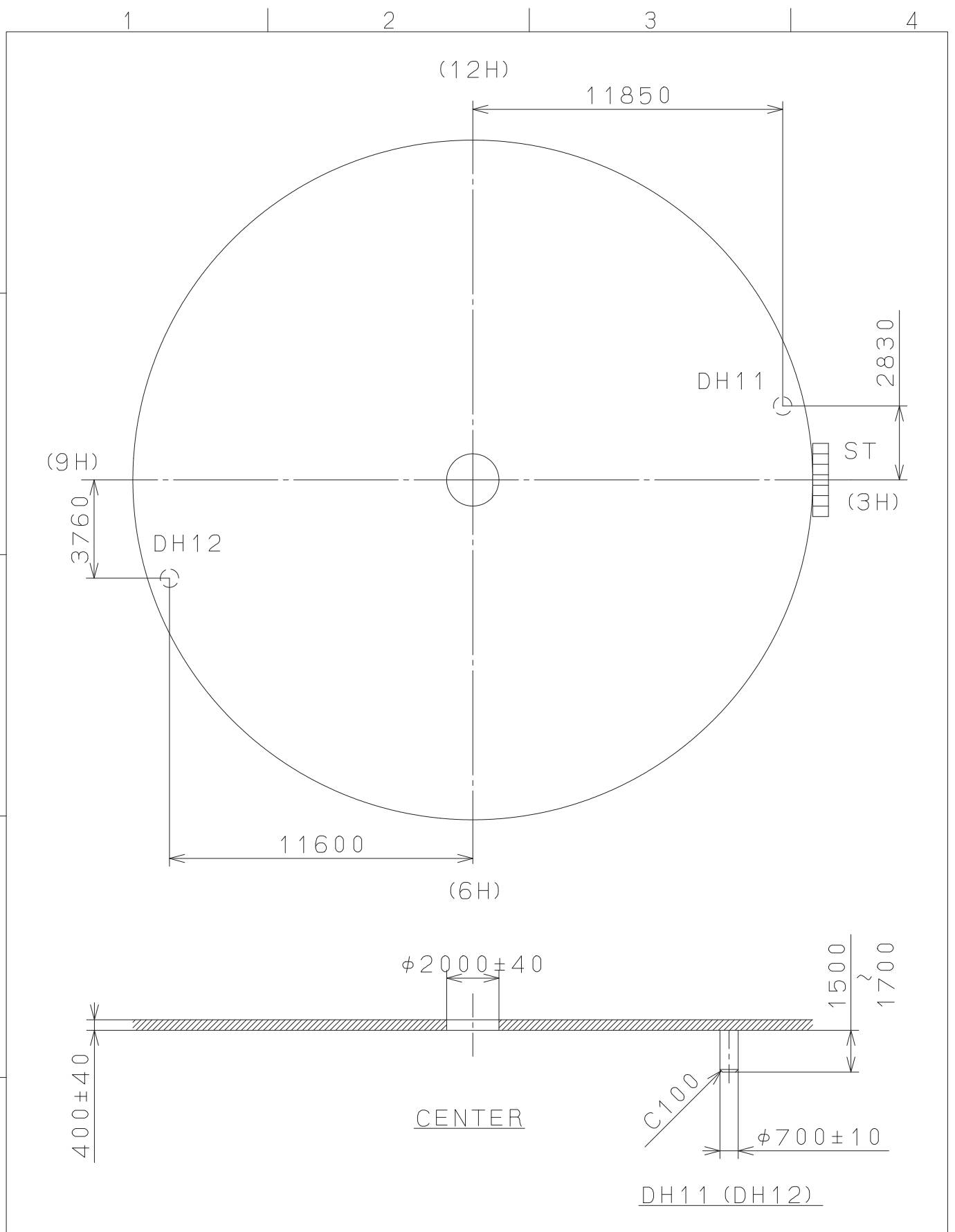


This drawing is provisional and subject to our reconfirmation and/or revision without notice.



Material	Alterations	Quantity	Unit	Cal. NO.:
Heat Treatment	Description	1	1/1000 mm	9039
Hardness	Appr.	6	Scale	Parts No.:
Plating	Checked	1	Date	
	Drawn			
	Approved			
	Mark Date Description Appr. Checked M. Kobayashi Name: Frame for Case			
	Drawing No.: 9039C000			
	General Tolerances			
	Dimensions			
	Angles			
MIYOTA				
CITIZEN WATCH CO., LTD. TOKYO, JAPAN				

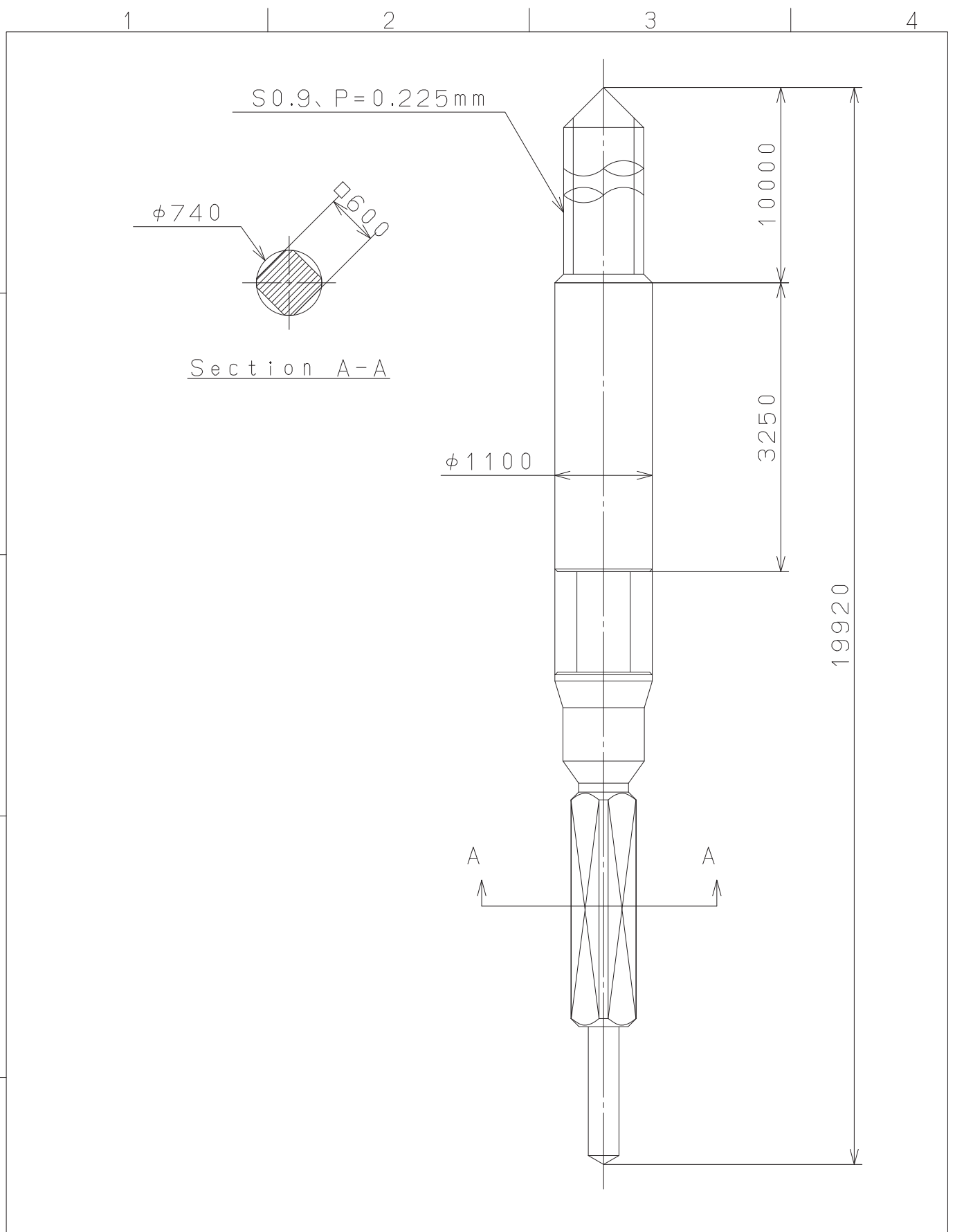
This drawing is provisional and subject to our reconfirmation and/or revision without notice.



△5			Quantity		Cal.NO.:
△4			Unit	1 / 1000 mm	9039-20A
△3			Scale	5 : 1	Parts No.:
△2			Date		
△1			Drawn		
Mark	Date	Description	Appr.	Checked	M. Kobayashi
Alterations			Approved	Name:	
Material				Indications for Dial	
Heat Treatment				Drawing No.: 9039D000	
Hardness				MIYOTA CITIZEN WATCH CO., LTD. TOKYO, JAPAN	
Plating					

2009/03/19 (15:03:29)

This drawing is provisional and subject to our reconfirmation and/or revision without notice.



⑤			Quantity		Cal.NO.:
④			Unit	1/1000mm	
③			Scale	17:1	Parts No.:
②			Date		065-A05
①			Drawn		
Mark	Date	Description	Appr.	Checked	Name:
		Alterations		Approved	SETTING STEM
Material					Drawing No.: A050S000
Heat Treatment			General	Tolerances	MIYOTA
Hardness			Dimensions		
Plating			Angles		
					CITIZEN WATCH CO., LTD. TOKYO, JAPAN