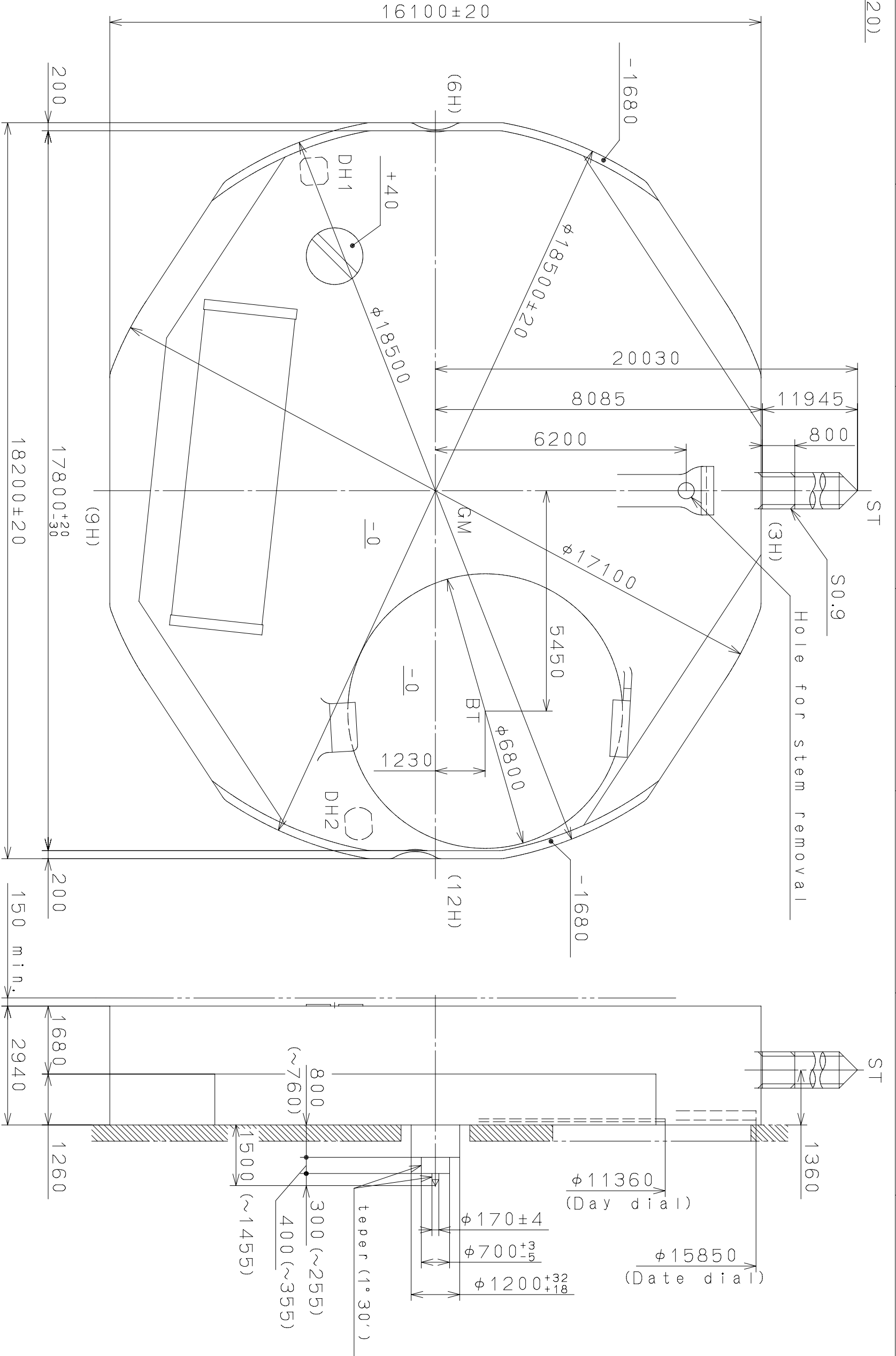


DH1~DH2=16171 (±20)

Coordinates

Mark	X	Y
GM	0	0
DH1	-7900	-3000
DH2	8234	-1900

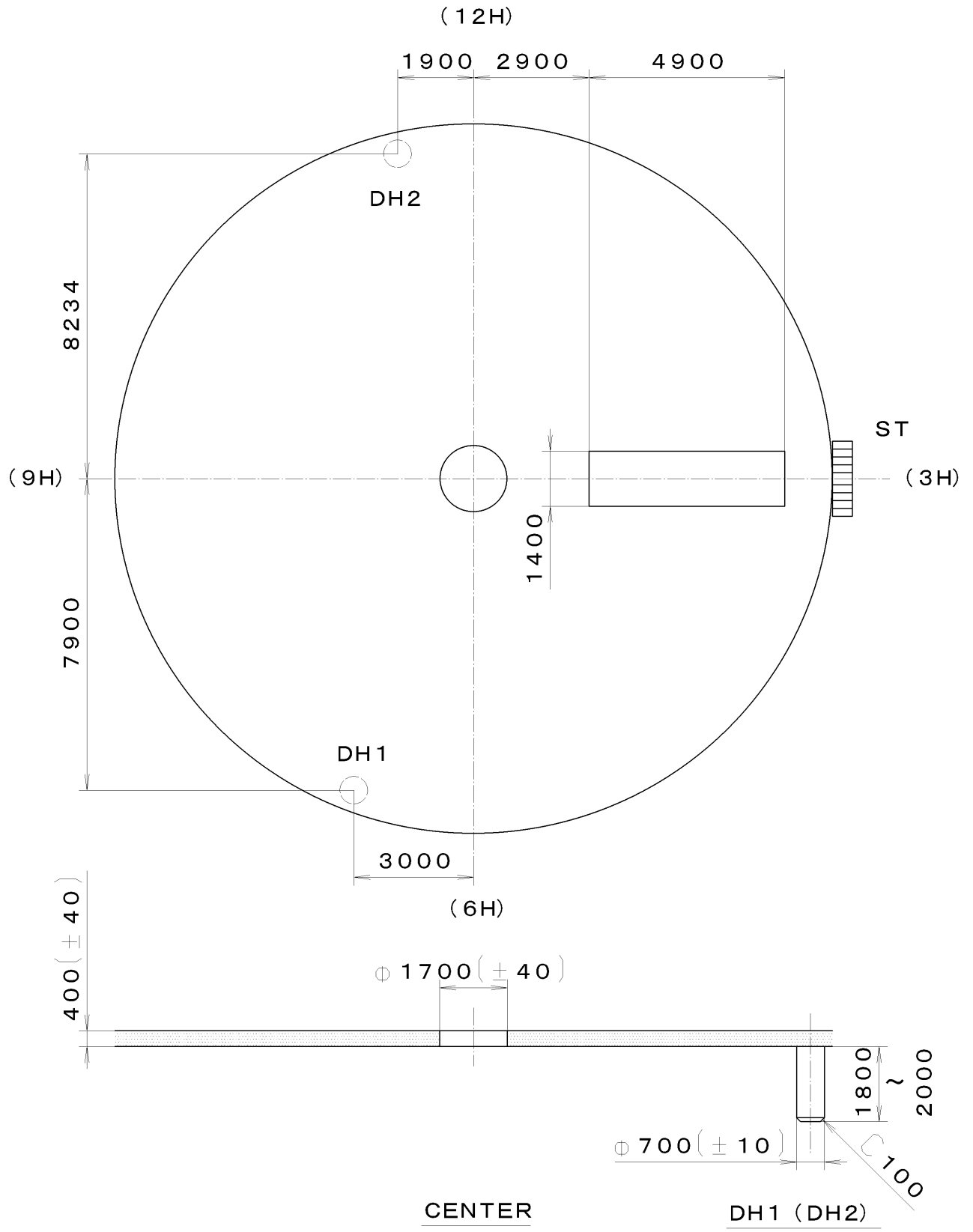


Mark	Date	Description	Apporo.	Checked	Drawn	T. Hiruta	Name:
Δ		Alterations	Approved				Frame for Case
Δ		Material					Drawing No.: GL00C0AS
Δ		Heat Treatment					
Δ		Hardness					
Δ		Plating					
Δ		Quantity					Cal. NO.: GL02
Δ		Unit					1/1000 mm
Δ		Scale					10:1
Δ		Date					Parts No.:
Δ		Date					
Δ		Date					

MIYOTA
CITIZEN WATCH CO., LTD. TOKYO, JAPAN

This drawing is provisional and subject to our reconfirmation and/or revision without notice.

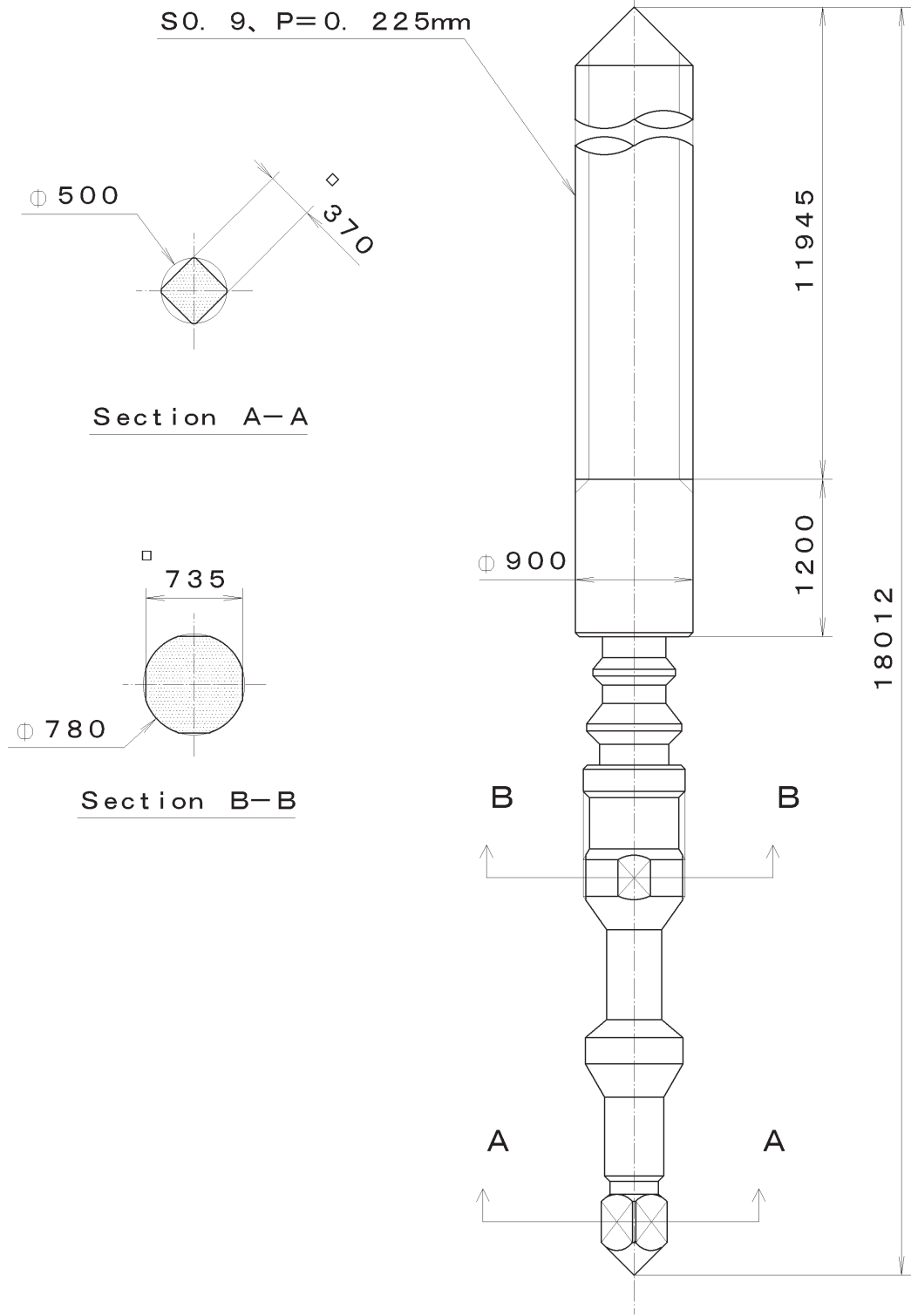
*** T I P W *** (01) *** (2100 1121) 03-06-03



7			Quantity		Cal. No. :	GL02-10A
6			Unit	1/1000 mm		
5			Scale	7:1	Parts:	Name: Indications for Dial Drawing No. : GL00D000
4			Date			
3			Drawn			
2			Checked	M. Fukuda		
1			Approved			
Material						MIYOTA
Heat Treatment			General Tolerances			
Hardness			Dimensions			
Plating			Angles			

This drawing is provisional and subject to our reconfirmation and/or revision without notice.

*** T I P W 065-547 (01) *** (2100 1121) 02-07-12



7			Quantity		Ca l. No. :
6			Unit	1/1000 mm	
5			Scale	20:1	Parts:
4			Date		065-547
3			Drawn		Name:
2			Checked	T. Hiruta	SETTING STEM
1			Approved		Drawing No. : 5470S000
Material					MIYOTA
Heat Treatment			General Tolerances		
Hardness			Dimensions		
Plating			Angles		