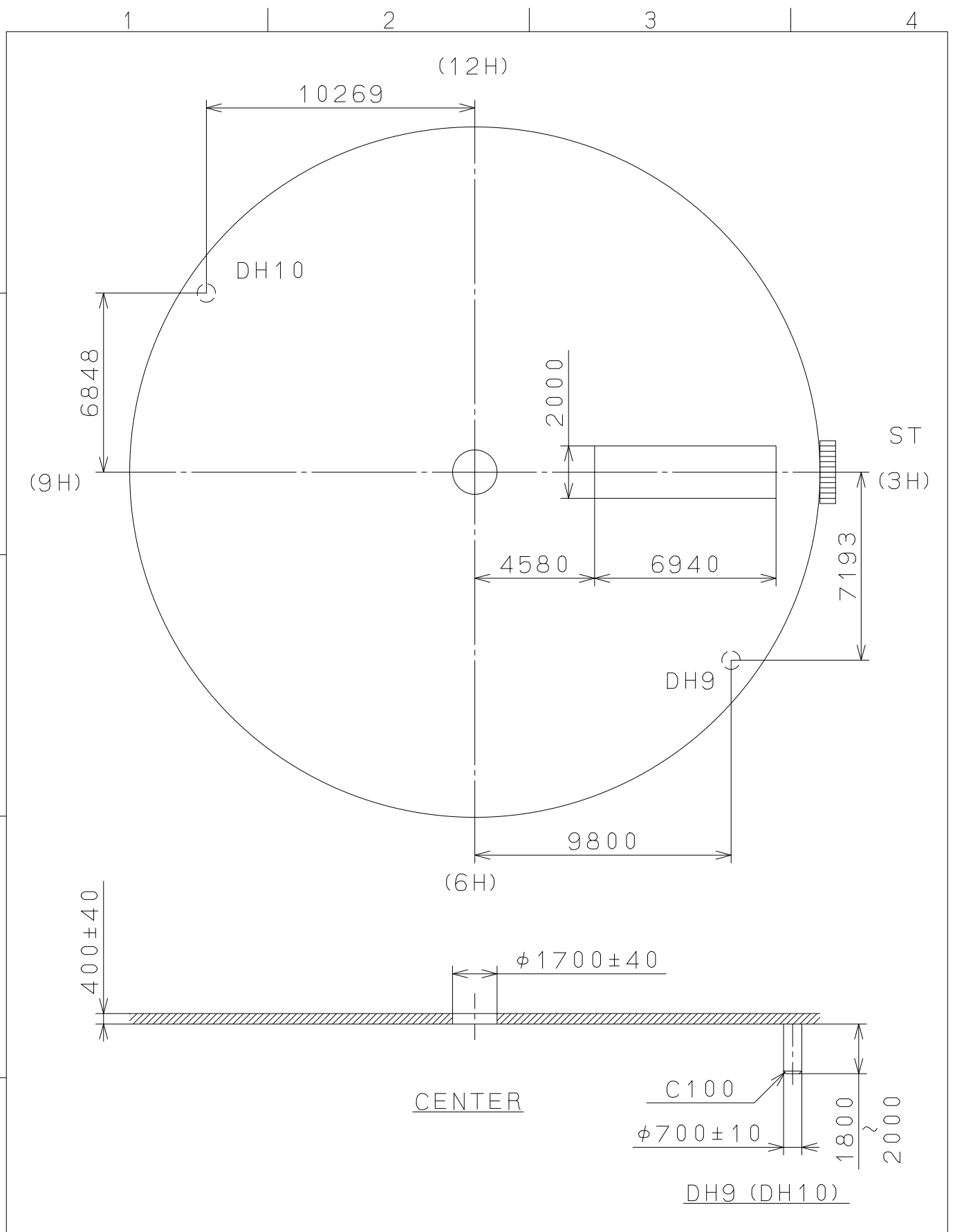




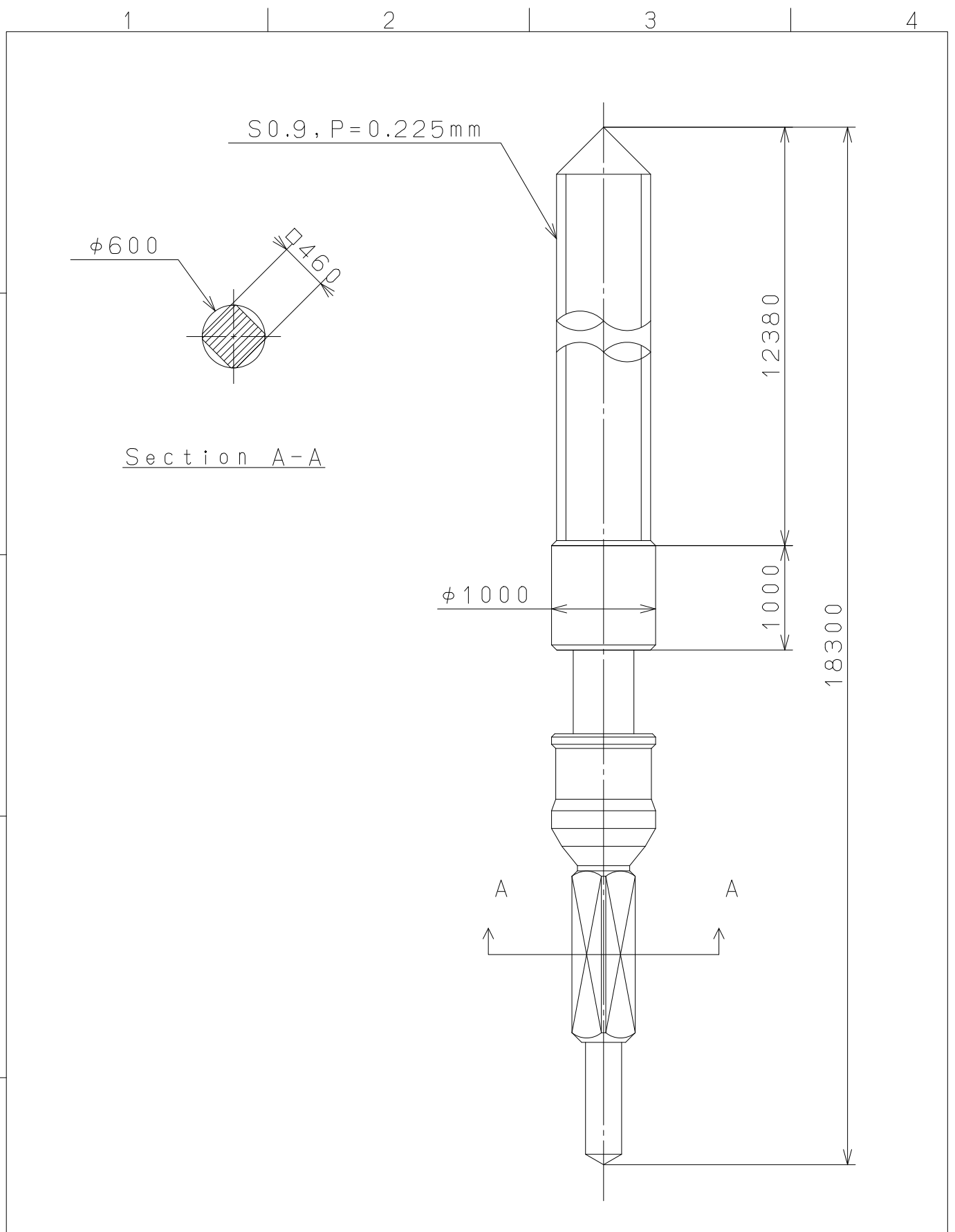


This drawing is provisional and subject to our reconfirmation and/or revision without notice.



△			Quantity		Cal. NO.:
△			Unit	1 / 1000 mm	2305-30A
△			Scale	5 : 1	Parts No.:
△			Date		
△			Drawn		
Mark	Date	Description	Appro.	Checked	D. Yamada
Alterations			Approved	Name:	
Material			Indications for Dial		
Heat Treatment			Drawing No.: 230501D1		
Hardness			General Tolerances		
Plating			Dimensions		
			Angles		
<b>MIYOTA</b>					
CITIZEN WATCH CO., LTD. TOKYO, JAPAN					

This drawing is provisional and subject to our reconfirmation and/or revision without notice.



⑤			Quantity		Cal.NO.:
④			Unit	1 / 1000 mm	
③			Scale	20 : 1	Parts No.:
②			Date		065-299
①			Drawn		
Mark	Date	Description	Appro.	Checked	D. Yamada
Alterations			Approved	Name:	
			SETTING STEM		
Material					Drawing No.: 299000S0
Heat Treatment					<b>MIYOTA</b> CITIZEN WATCH CO., LTD. TOKYO, JAPAN
Hardness					
Plating					