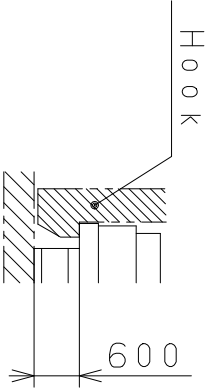
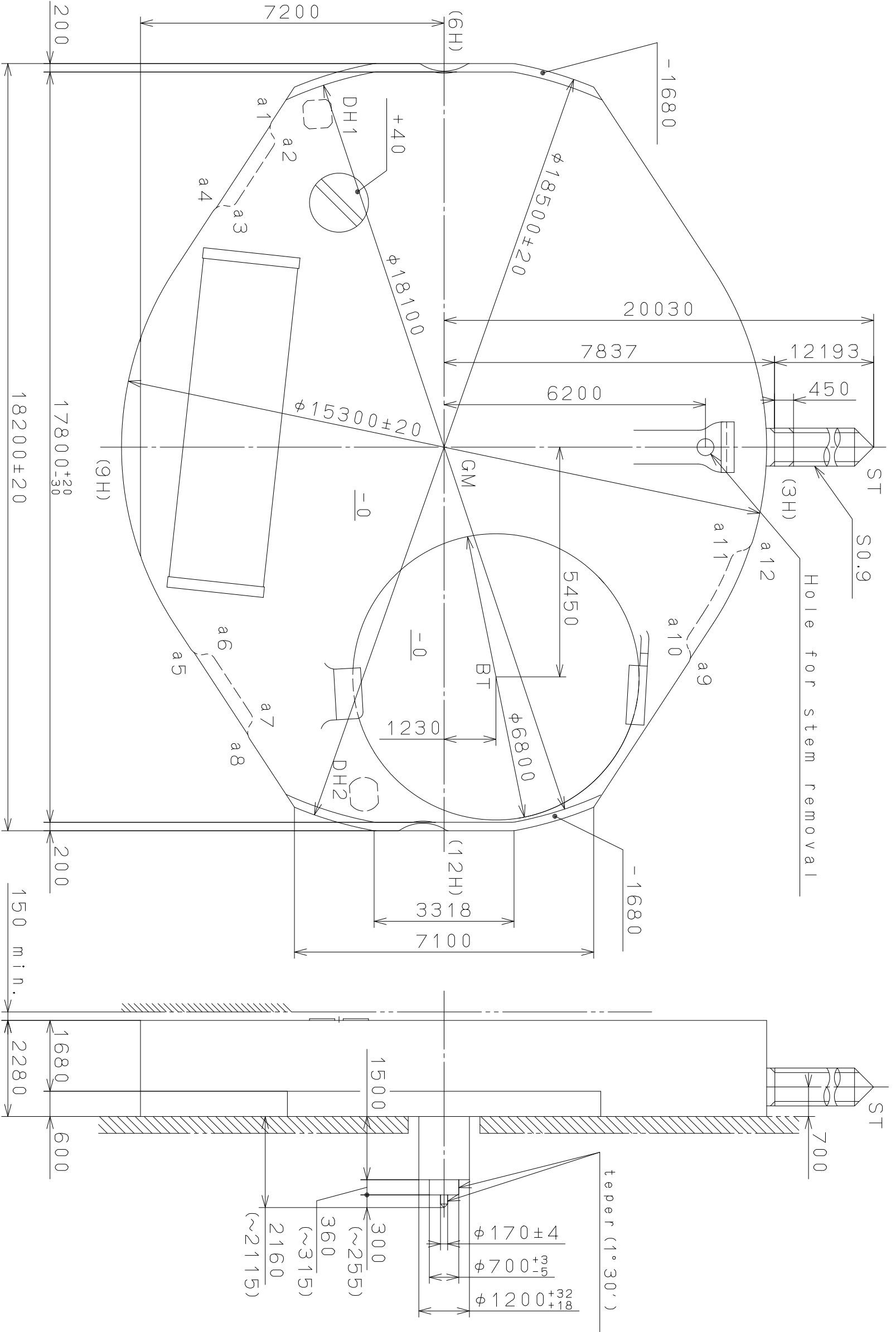


This drawing is provisional and subject to our reconfirmation and/or revision without notice.

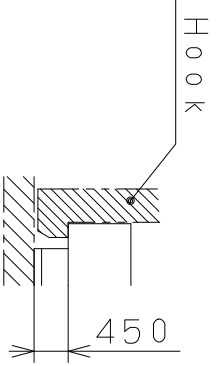
DH1~DH2=16171±20

Coordinates

Mark	X	Y	R
GM	0	0	—
DH1	-7900	-3000	—
DH2	8234	-1900	—
a1	-7569	-3828	300
a2	-7252	-4215	200
a3	-5914	-5092	200
a4	-5433	-5228	300
a5	4625	-5757	300
a6	5106	-5621	200
a7	6444	-4745	200
a8	6761	-4358	300
a9	4947	5546	300
a10	4628	6054	300
a11	2754	7083	300
a12	2157	7026	300



Section a1~a4, a5~a8



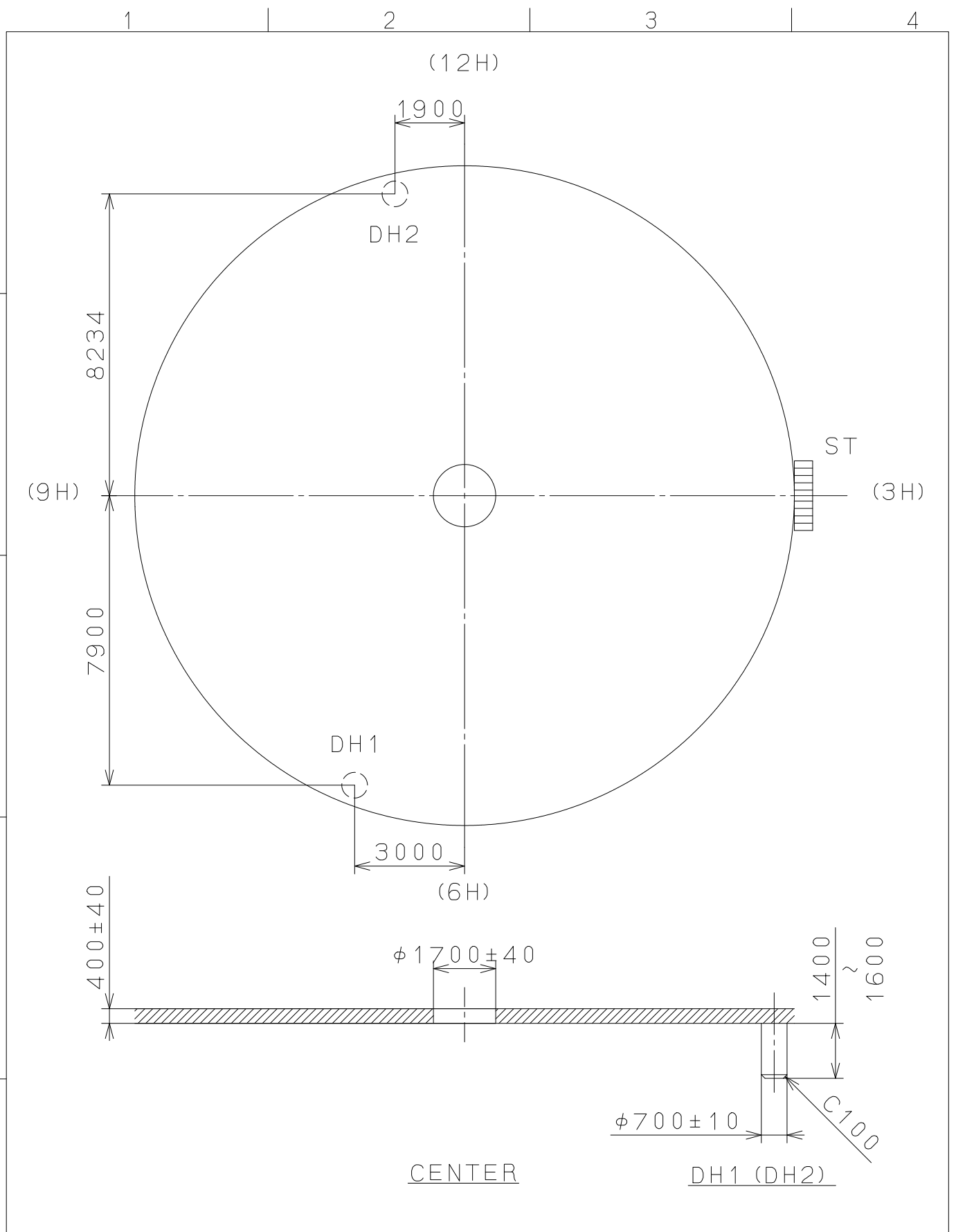
Section a9~a12

△	Quantity	Cal. NO.:	GL34
△	Unit	Unit	1/1000 mm
△	Scale	Scale	10:1
△	Date	Date	
△	Drawn	Drawn	
△	Checked	Checked	D. Yamada
△	Approved	Approved	
△	Description	Description	Frame for Case
△	Alterations	Alterations	
△	Date	Date	
△	Material	Material	
△	Heat Treatment	Heat Treatment	
△	Hardness	Hardness	
△	Plating	Plating	
△	General Tolerances	General Tolerances	
△	Dimensions	Dimensions	
△	Angles	Angles	

**MIYOTA**  
CITIZEN WATCH CO., LTD. TOKYO, JAPAN

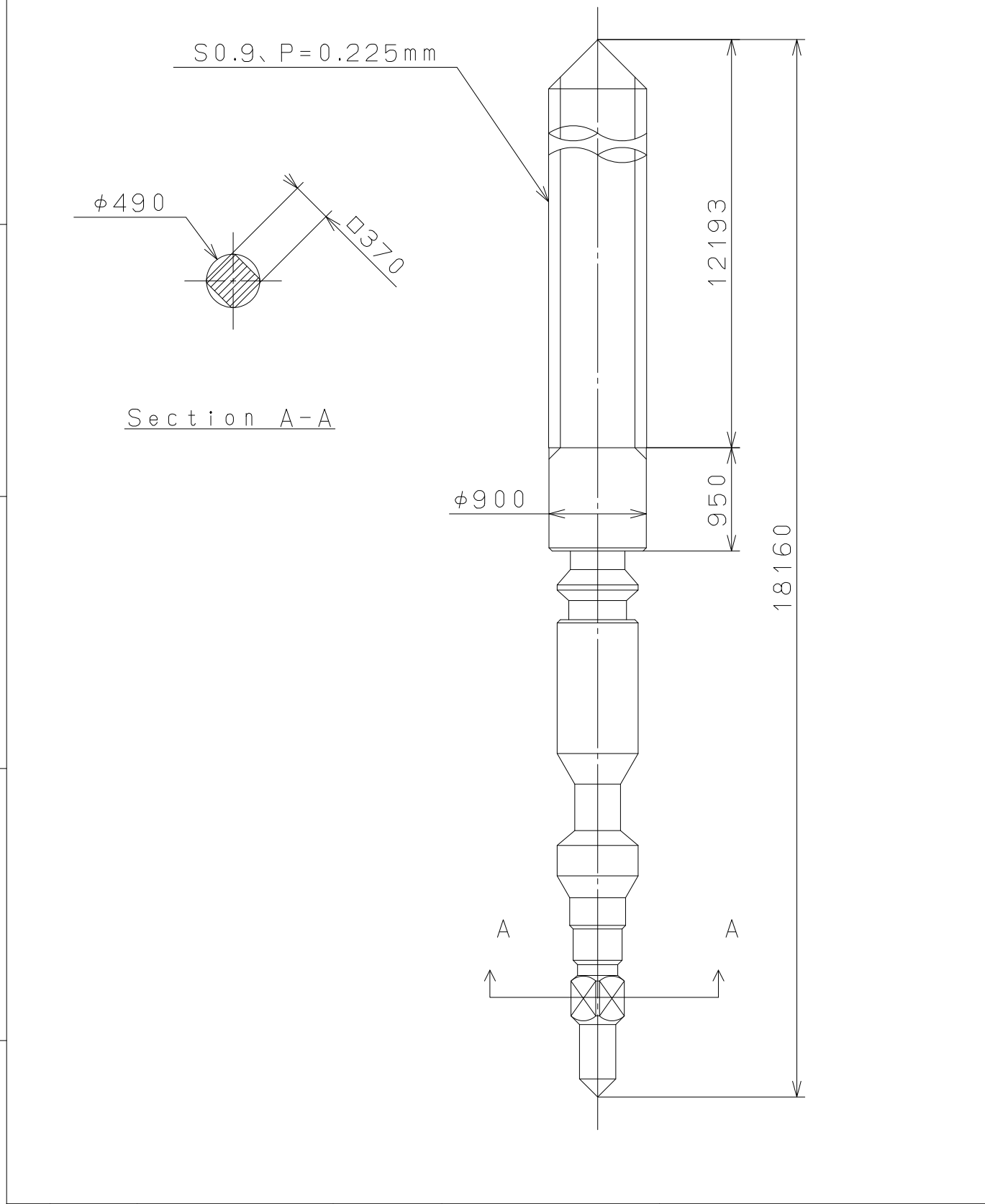
Drawing No.: GL3400C0

This drawing is provisional and subject to our reconfirmation and/or revision without notice.



△			Quantity		Cal.NO.:
△			Unit	1 / 1000 mm	GL34-10A
△			Scale	7 : 1	Parts No.:
△			Date		
△			Drawn		
Mark	Date	Description	Appr.	Checked	Name:
		Alterations		Approved	D. Yamada
Material					Indications for Dial
Heat Treatment					Drawing No.: GL3400D0
Hardness					<b>MIYOTA</b>
Plating					
				General Tolerances	CITIZEN WATCH CO., LTD. TOKYO, JAPAN
				Dimensions	
				Angles	

This drawing is provisional and subject to our reconfirmation and/or revision without notice.



△			Quantity		Cal.NO.:
△			Unit	1 / 1000 mm	
△			Scale	20 : 1	Parts No.:
△			Date		065-541
△			Drawn		
Mark	Date	Description	Appr.	Checked	D. Yamada
Alterations			Approved	Name: SETTING STEM	
Material					Drawing No.: 541000S0
Heat Treatment					<b>MIYOTA</b>
Hardness					
Plating					
			General Tolerances	CITIZEN WATCH CO., LTD. TOKYO, JAPAN	
			Dimensions		
			Angles		