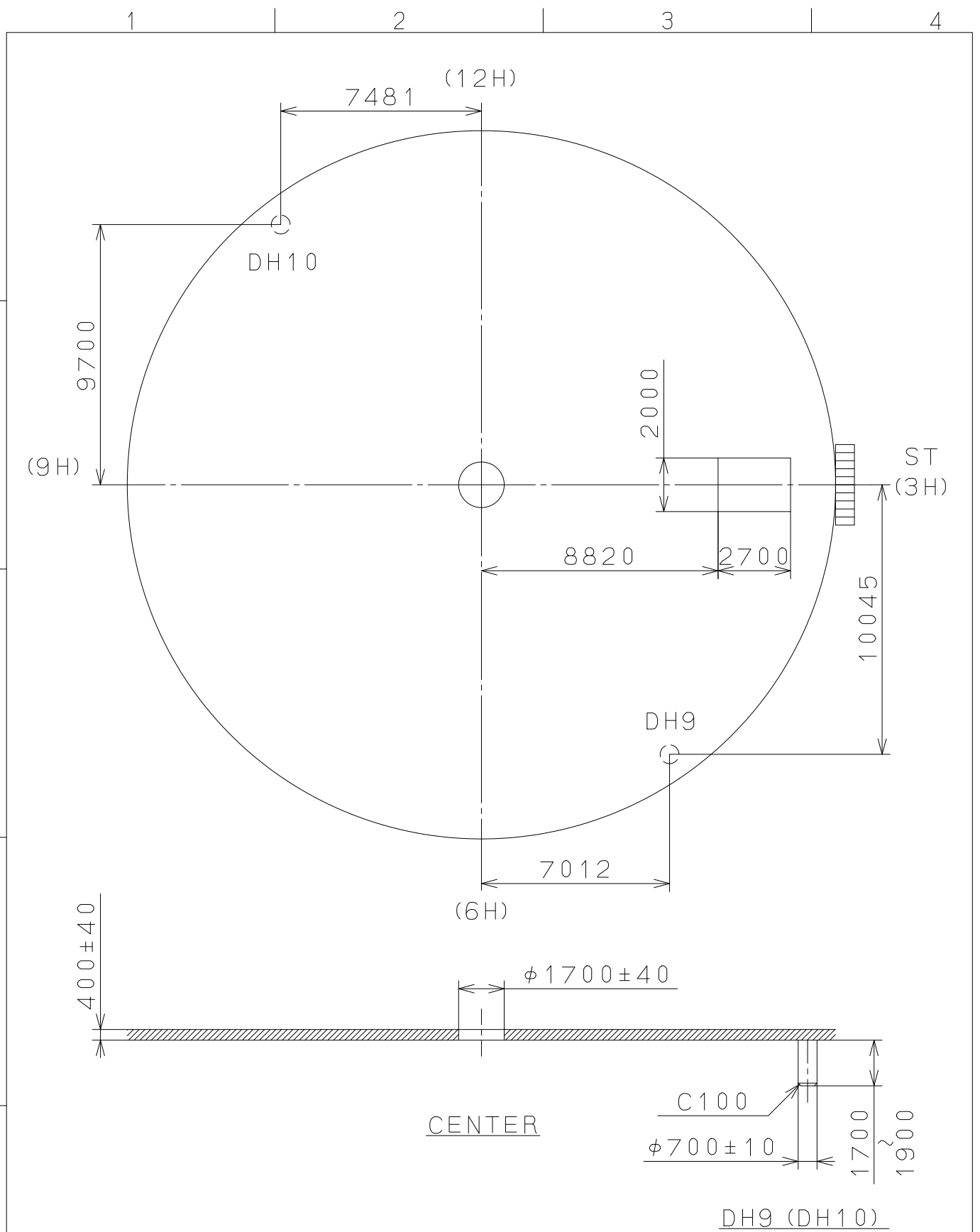


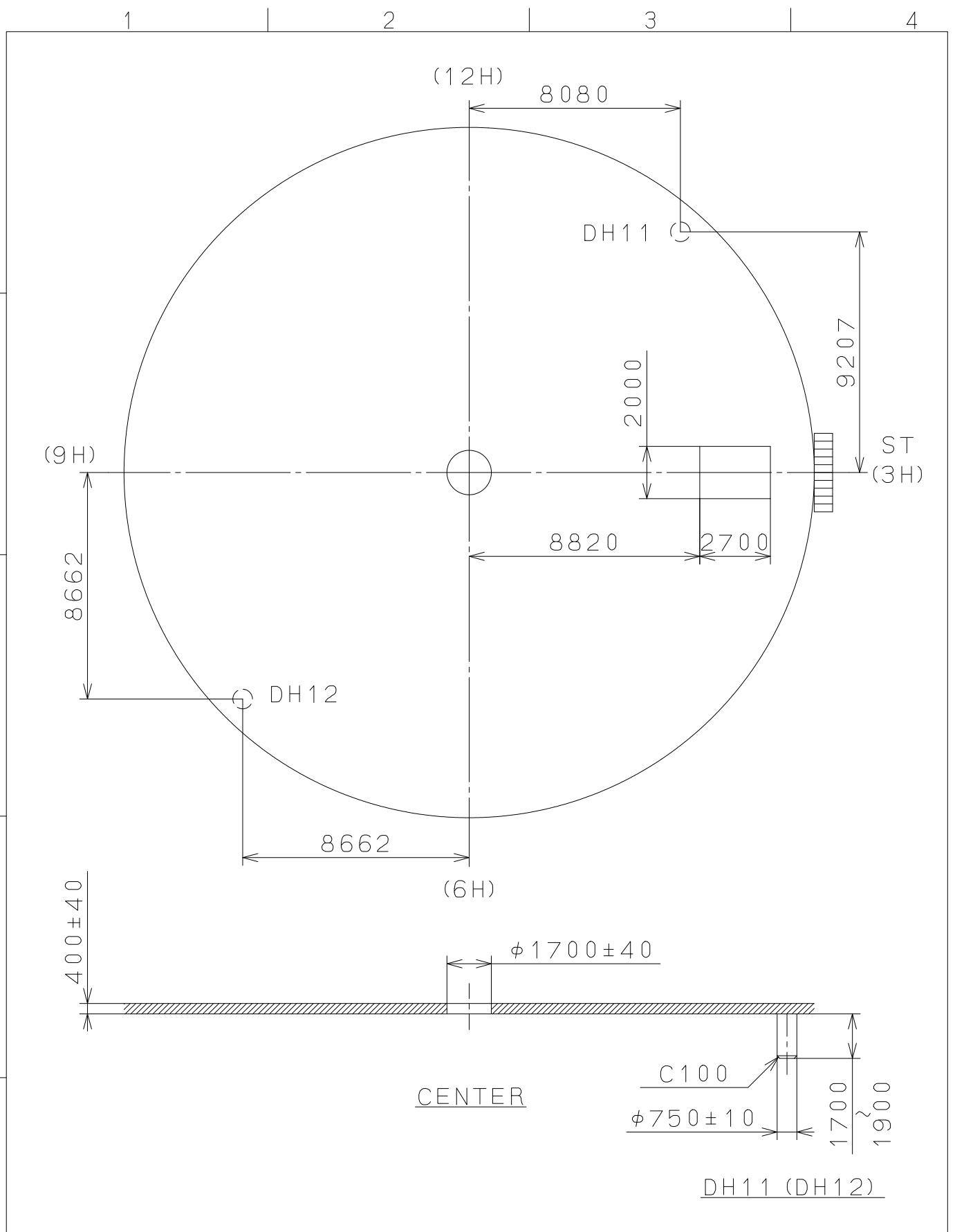


This drawing is provisional and subject to our reconfirmation and/or revision without notice.



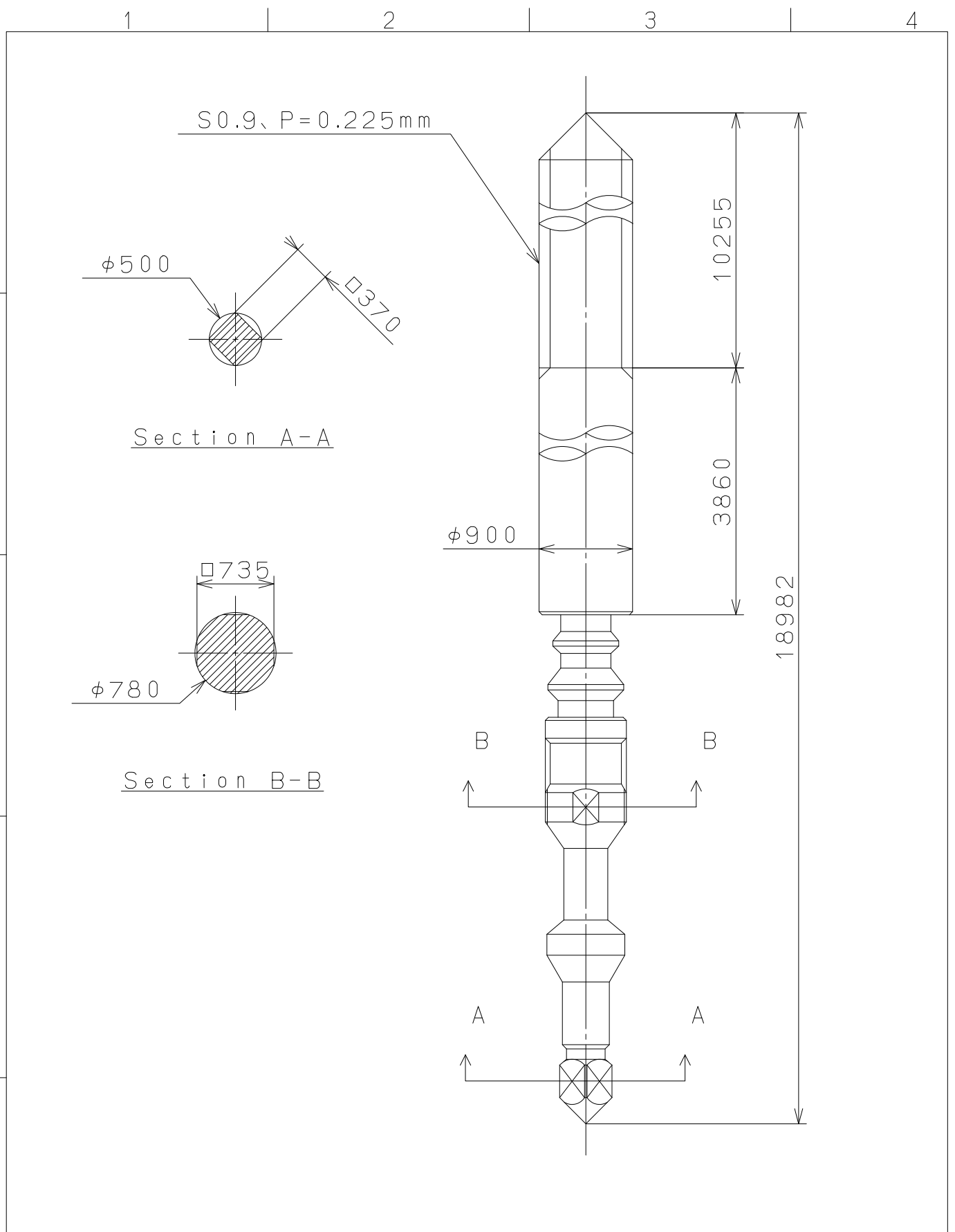
△			Quantity		Cal.NO.:
△			Unit	1 / 1000 mm	GR12-10A
△			Scale	5 : 1	Parts No.:
△			Date		
△			Drawn		
Mark	Date	Description	Appro.	Checked	Name:
		Alterations	Approved	D. Yamada	
Material					Indications for Dial
Heat Treatment					Drawing No.: GR1200D0
Hardness			General Tolerances		<b>MIYOTA</b>
Plating			Dimensions		
			Angles		CITIZEN WATCH CO., LTD. TOKYO, JAPAN

This drawing is provisional and subject to our reconfirmation and/or revision without notice.



△			Quantity		Cal.NO.:
△			Unit	1/1000mm	GR12-10A
△			Scale	5:1	Parts No.:
△			Date		
△			Drawn		
Mark	Date	Description	Appr.	Checked	Name:
		Alterations	Approved	D. Yamada	
Material					Indications for Dial
Heat Treatment					Drawing No.: GR1201D0
Hardness			General Tolerances		<b>MIYOTA</b>
Plating			Dimensions		
			Angles		CITIZEN WATCH CO., LTD. TOKYO, JAPAN

This drawing is provisional and subject to our reconfirmation and/or revision without notice.



△			Quantity		Cal.NO.:
△			Unit	1 / 1000 mm	
△			Scale	20 : 1	Parts No.:
△			Date		065-543
△			Drawn		
Mark	Date	Description	Appro.	Checked	Name:
		Alterations	Approved	D. Yamada	SETTING STEM
Material					Drawing No.: 543000S0
Heat Treatment			General Tolerances	<b>MIYOTA</b> CITIZEN WATCH CO., LTD. TOKYO, JAPAN	
Hardness			Dimensions		
Plating			Angles		