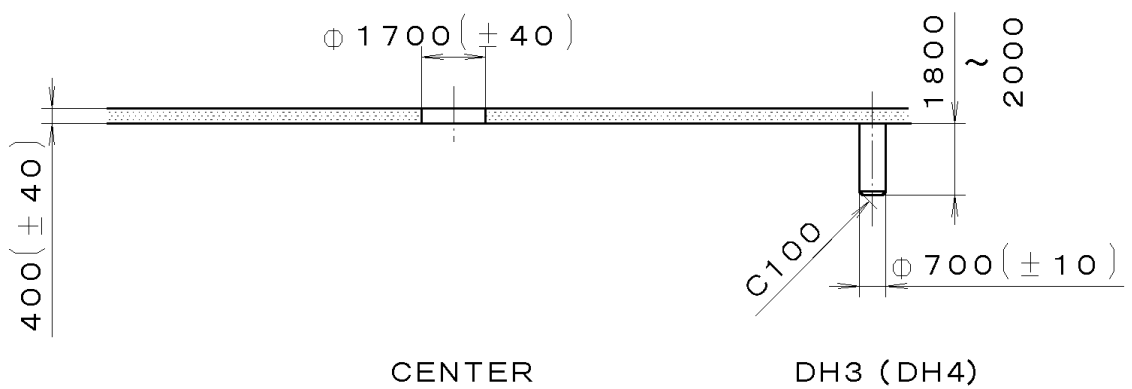
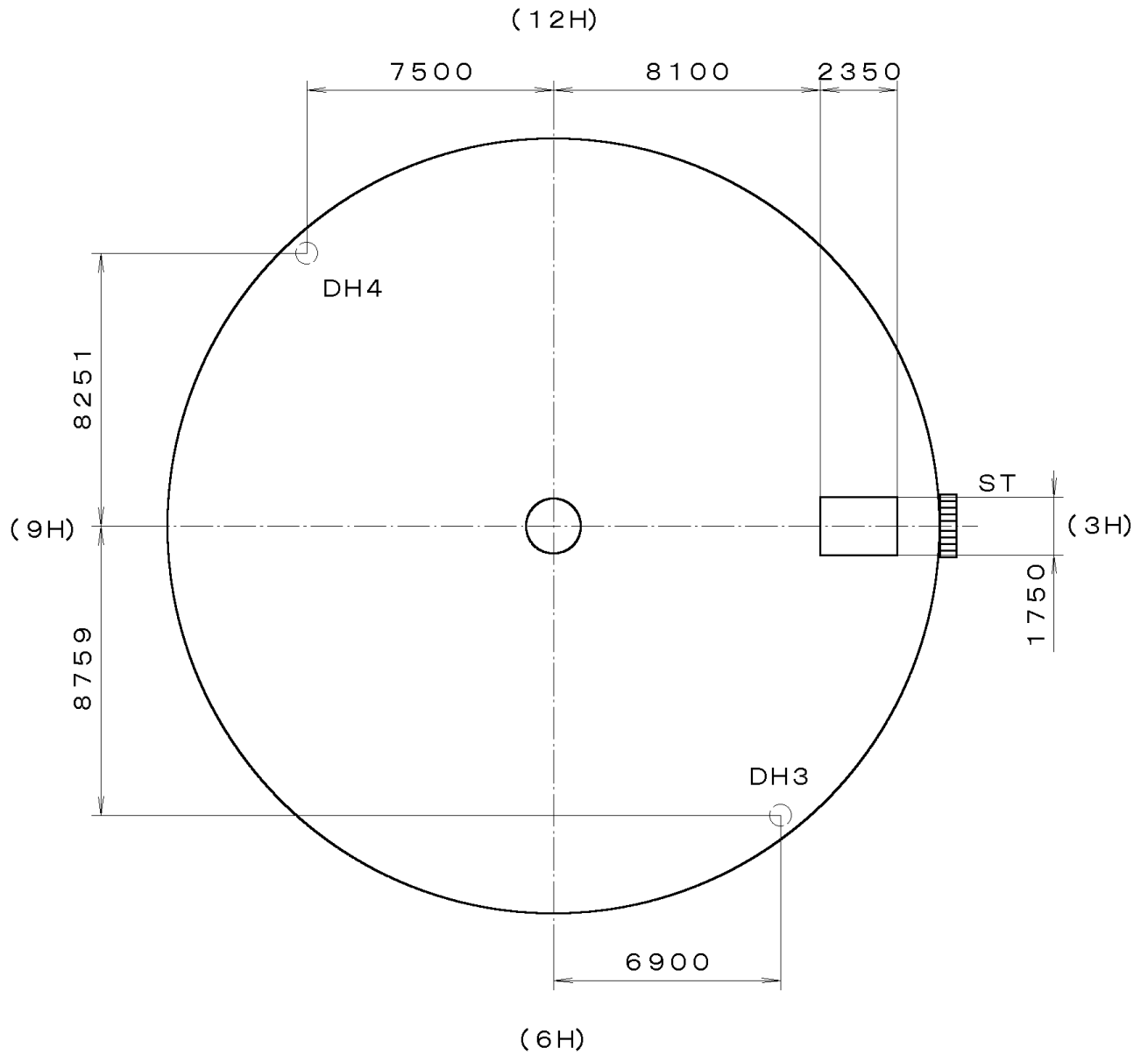


This drawing is provisional and subject to our reconfirmation and/or revision without notice.



*** TIPW 2S60-00A (01) *** (2100 1121) 00-06-29

7			Quantity		Cal. No. : 2S60-00A
6			Unit	1/1000 mm	
5			Scale	5:1	Parts:
4			Date		
3			Drawn		
2			Checked	T. Hiruta	Name:
1			Approved		Indications for Dial
Material					Drawing No. : 2S60D000
Heat Treatment			General Tolerances		
Hardness			Dimensions		
Plating			Angles		