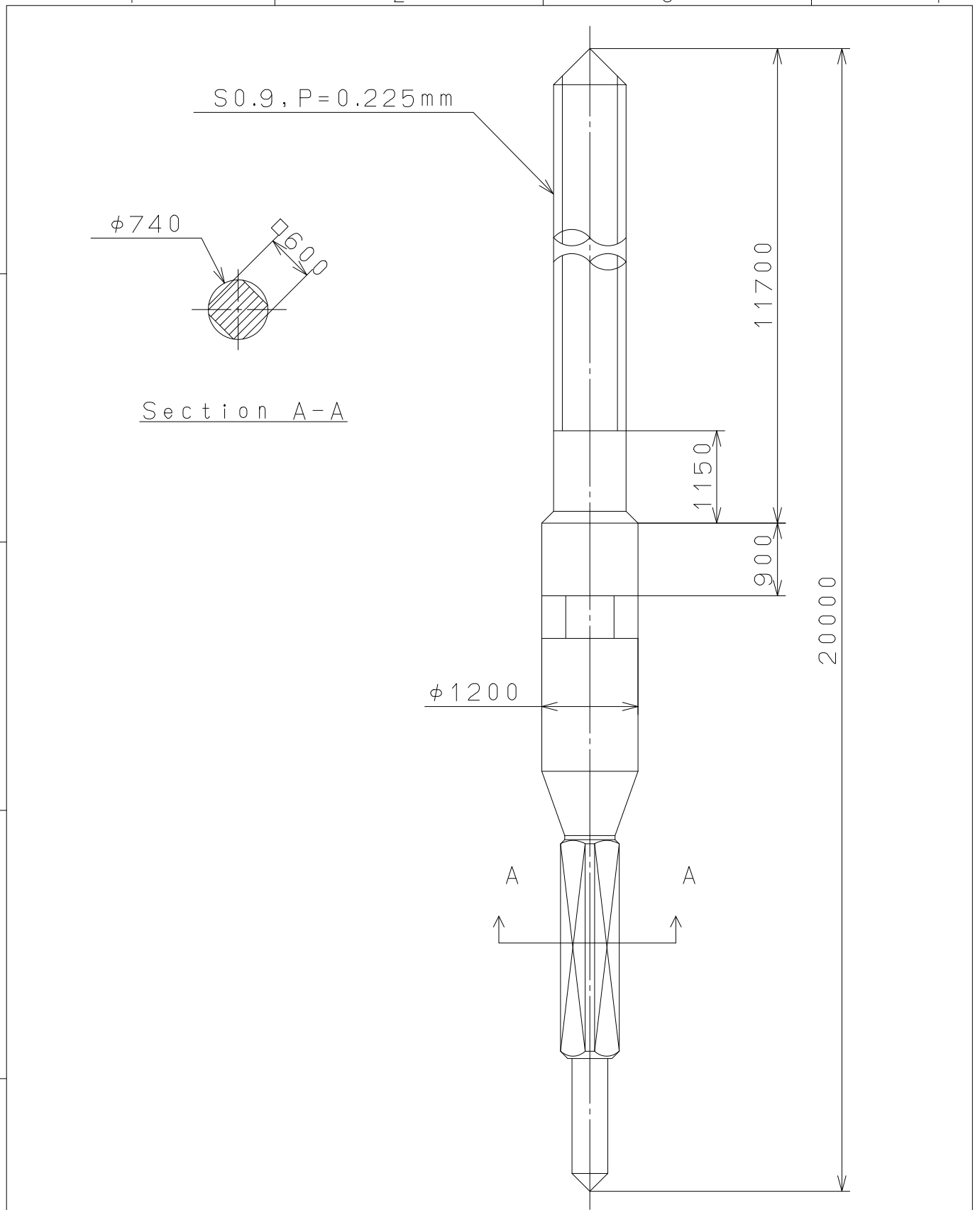
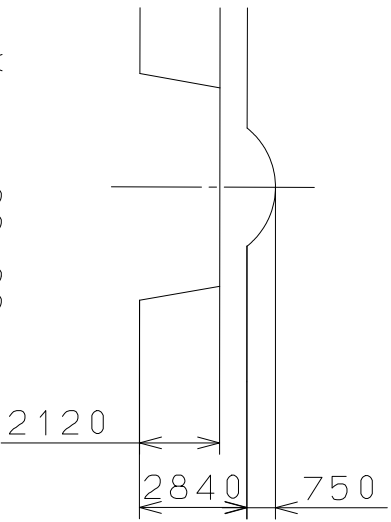
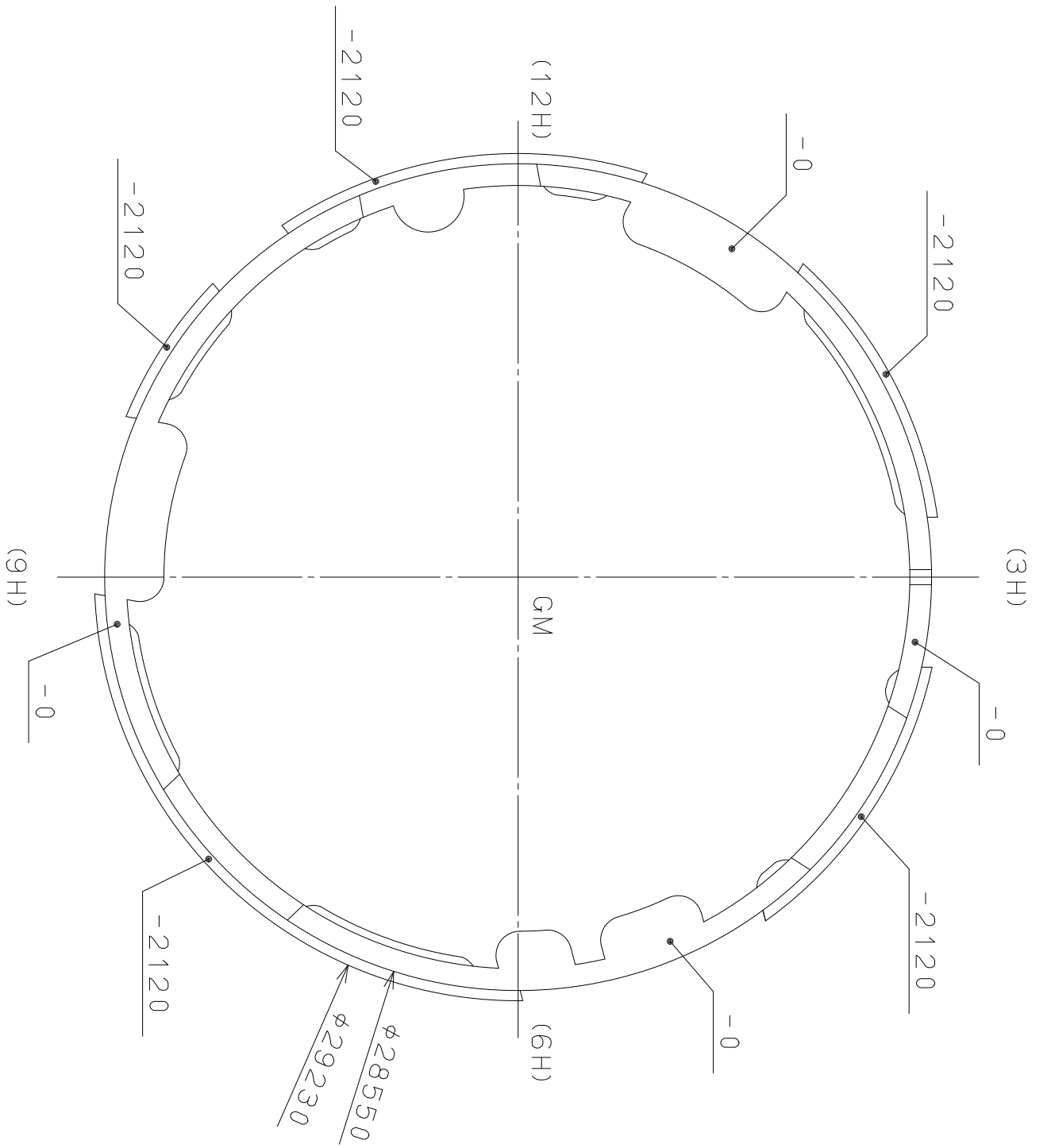


This drawing is provisional and subject to our reconfirmation and/or revision without notice.

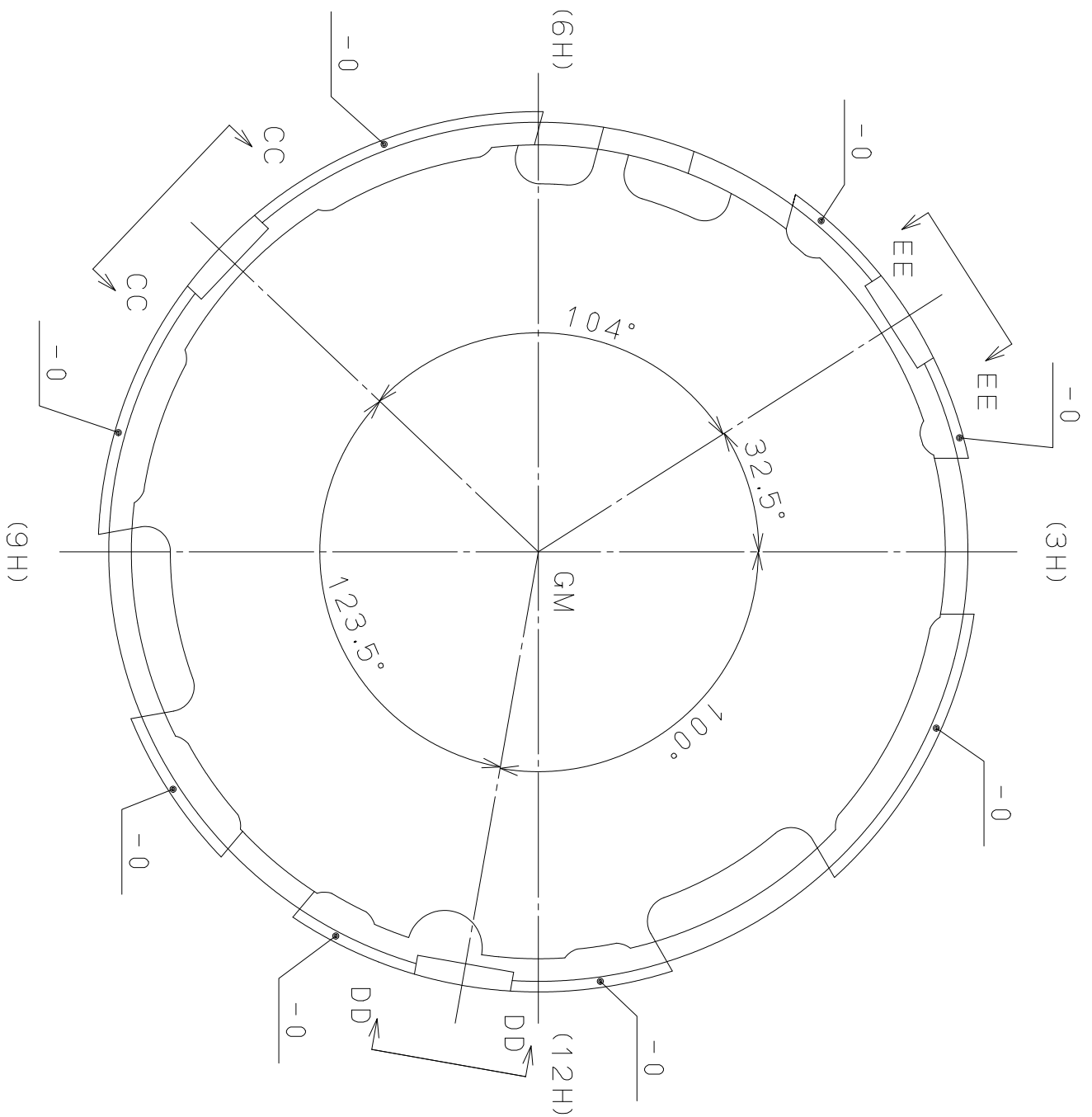


△5			Quantity		Cal.NO.:
△4			Unit	1/1000mm	
△3			Scale	15:1	Parts No.:
△2			Date		065-212
△1			Drawn		Name:
Mark	Date	Description	Appr.	Checked	D. Yamada
Alterations			Approved	SETTING STEM	
Material					Drawing No.: 212000S0
Heat Treatment					MIYOTA CITIZEN WATCH CO., LTD. TOKYO, JAPAN
Hardness					
Plating					

This drawing is provisional and subject to our reconfirmation and/or revision without notice.



View CC-CC
DD-DD, EE-EE



△	Quantity	1/1000 mm	Cal. NO.:
△	Unit	5 : 1	Parts No.:
△	Scale	Drawn	500-710
△	Date	Checked	Name:
△	Date	Approved	Casings Holder
△	Date	Drawn	D. Yamada
△	Date	Checked	Drawing No.: 820500E0
△	Date	Approved	
Material	Alterations	Approved	
Heat Treatment			
Hardness			
Plating			
	General Tolerances		
	Dimensions		
	Angles		

MIYOTA
CITIZEN WATCH CO., LTD. TOKYO, JAPAN