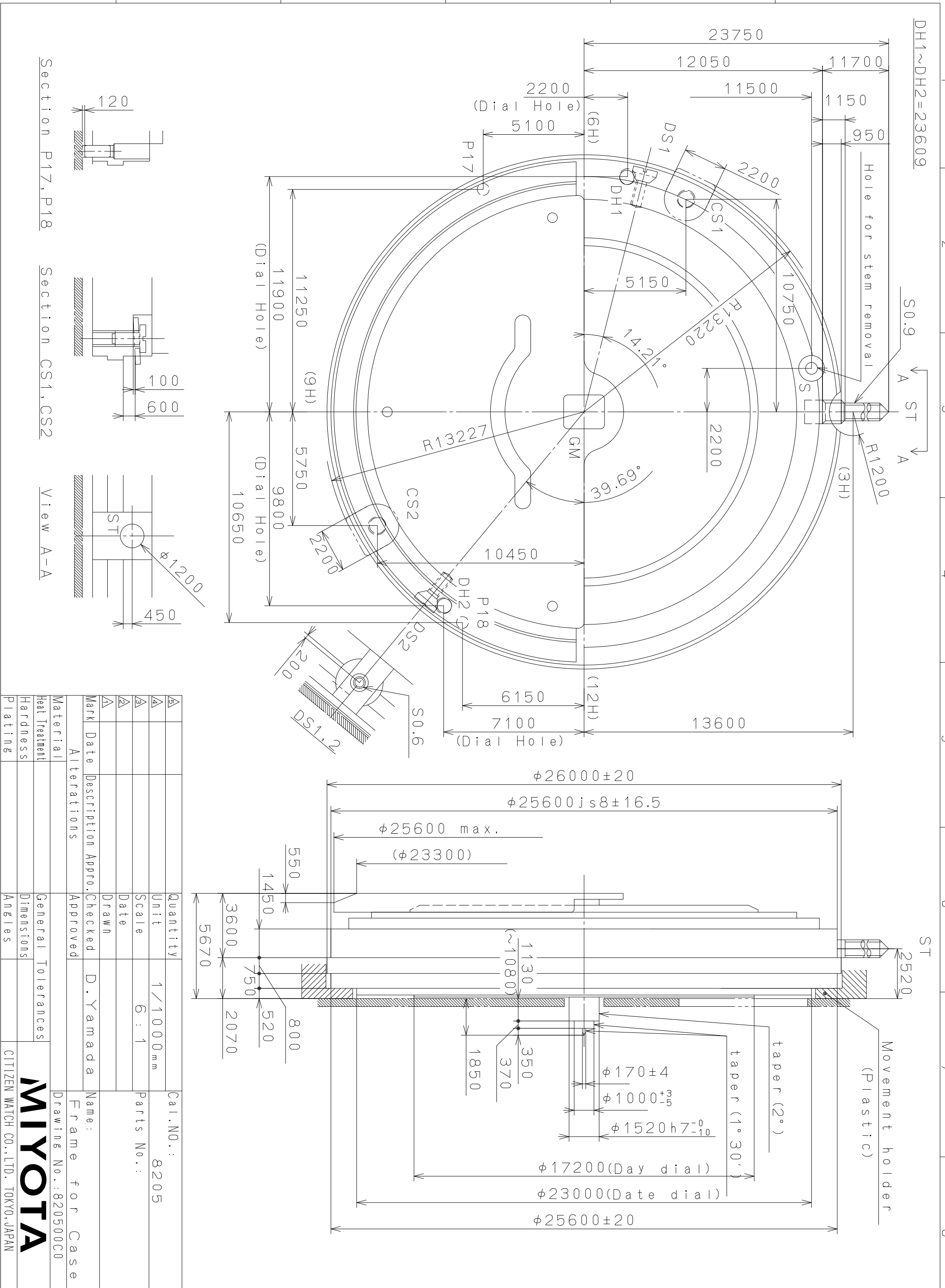


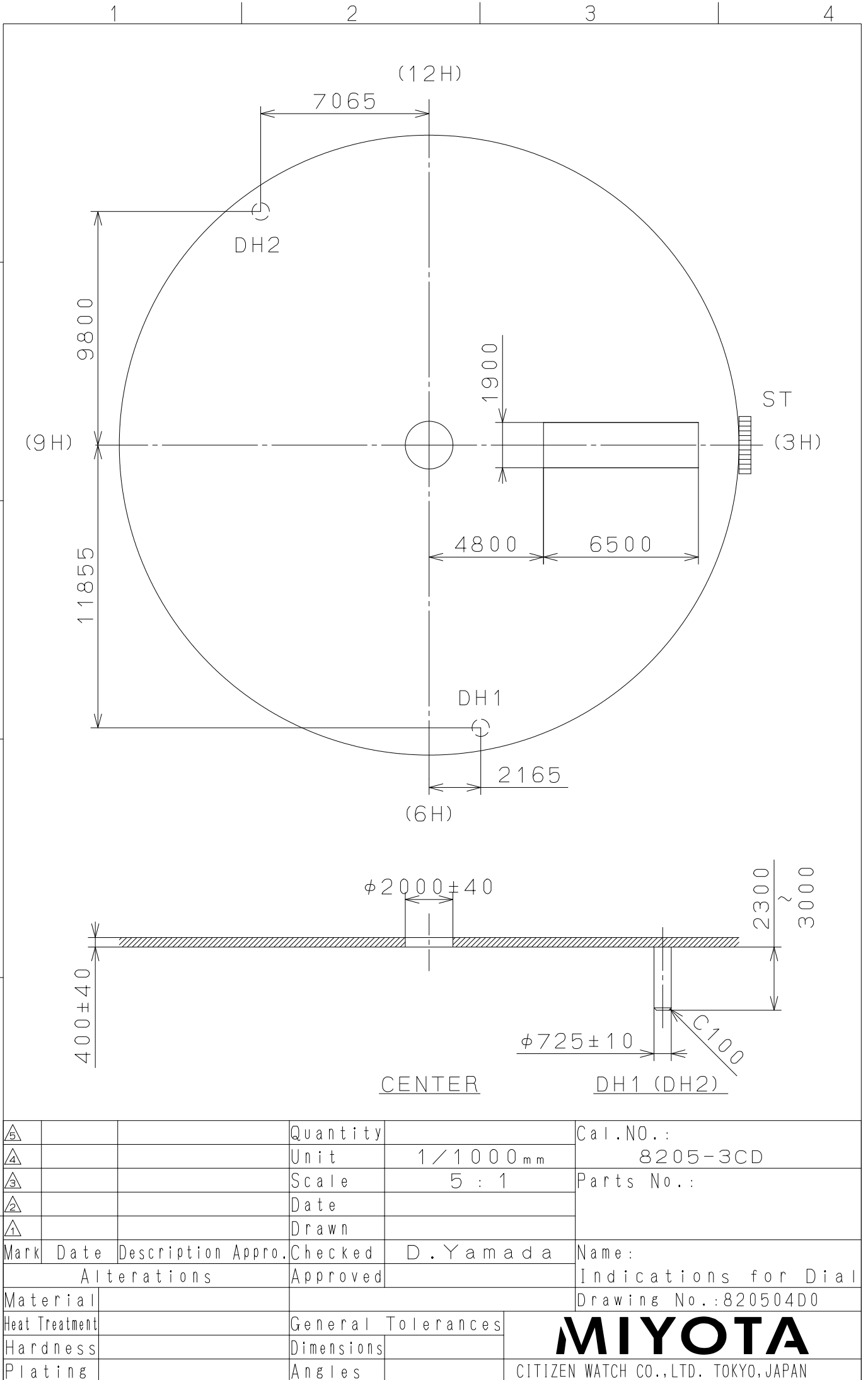
This drawing is provisional and subject to our reconfirmation and/or revision without notice.



Material	Alterations	Quantity	Unit	Cal. NO.:
Heat Treatment	Date	Scale	1 / 1000 mm	8205
Hardness	Description	Date	6 : 1	Parts No.:
Plating	Approved	Drawn	D. Yamada	Name:
	Checked			Frame for Case
	Approved			Drawing No.: 820500C0
General Tolerances		Miyota		
Dimensions		CITIZEN WATCH CO., LTD. TOKYO, JAPAN		
Angles				

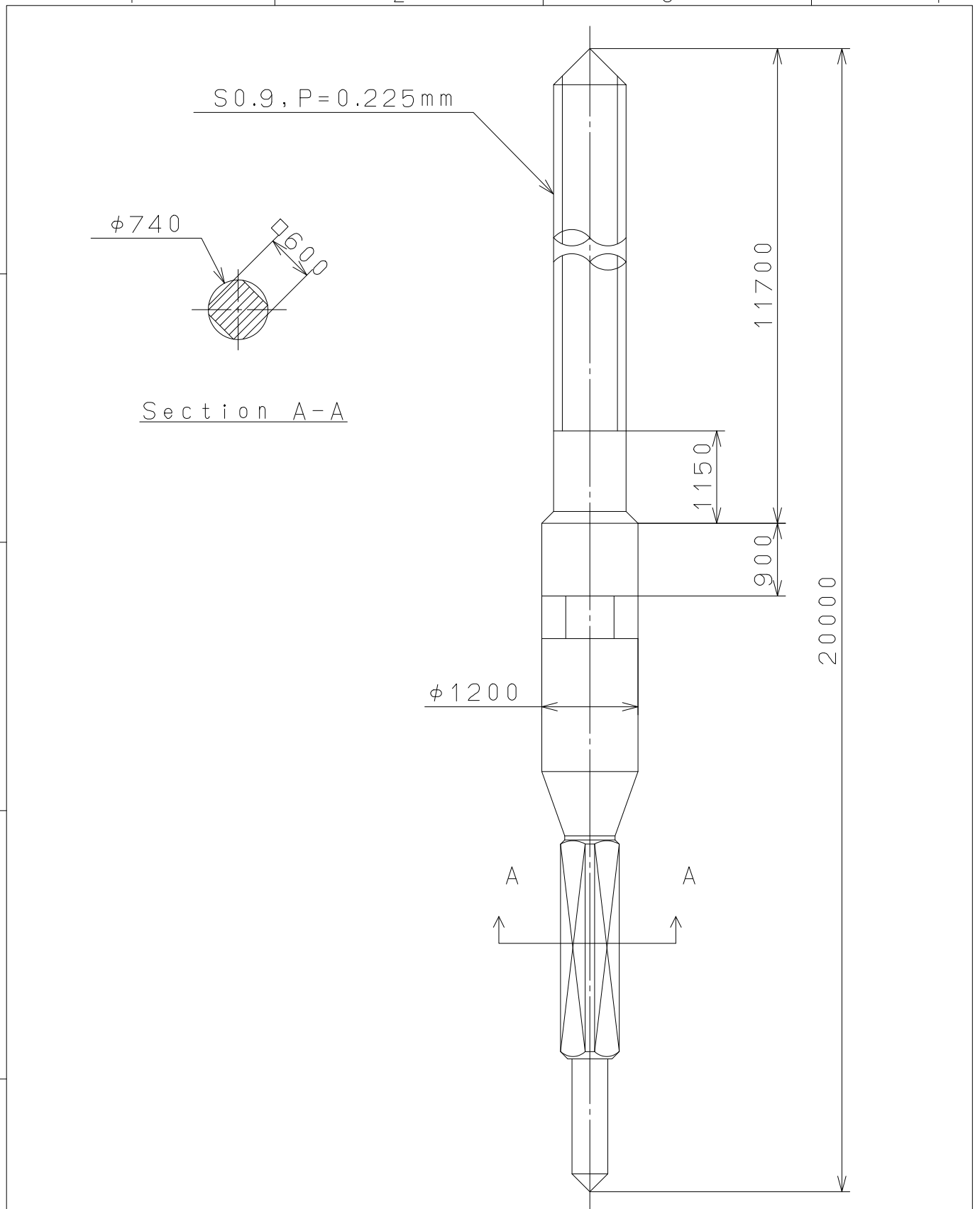
This drawing is provisional and subject to our reconfirmation and/or revision without notice.

A
B
C
D
E
F



△5			Quantity		Cal.NO.:
△4			Unit	1 / 1000 mm	8205-3CD
△3			Scale	5 : 1	Parts No.:
△2			Date		
△1			Drawn		
Mark	Date	Description	Appro.	Checked	Name:
		Alterations		Approved	D. Yamada
Material					Indications for Dial
Heat Treatment					Drawing No.: 820504D0
Hardness			General Tolerances		MIYOTA
Plating			Dimensions		
			Angles		CITIZEN WATCH CO., LTD. TOKYO, JAPAN

This drawing is provisional and subject to our reconfirmation and/or revision without notice.



△5			Quantity		Cal.NO.:
△4			Unit	1/1000mm	
△3			Scale	15:1	Parts No.:
△2			Date		065-212
△1			Drawn		Name:
Mark	Date	Description	Appr.	Checked	D. Yamada
Alterations			Approved	SETTING STEM	
Material					Drawing No.: 212000S0
Heat Treatment					MIYOTA CITIZEN WATCH CO., LTD. TOKYO, JAPAN
Hardness					
Plating					

