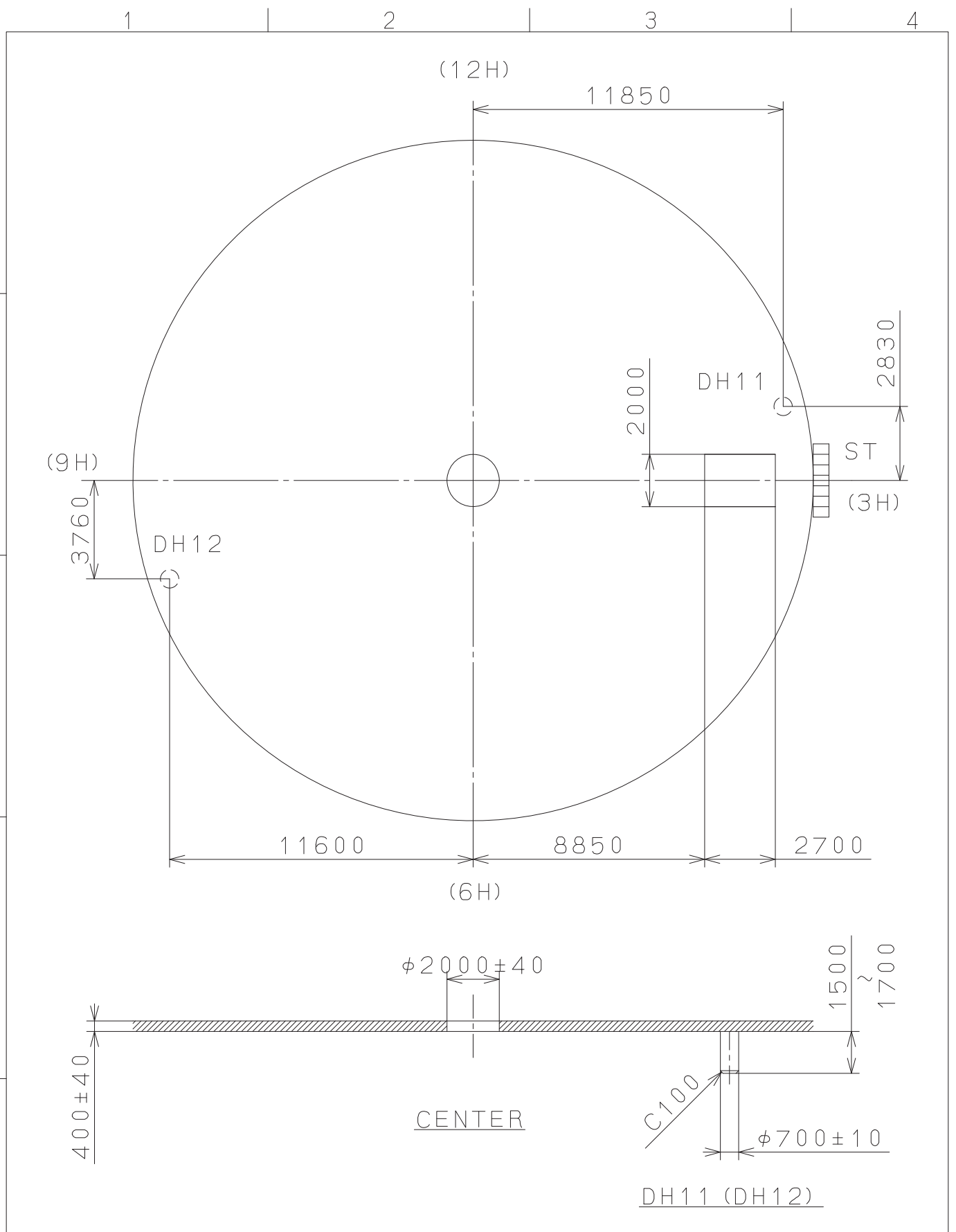




2009/03/25 (09:00:17)

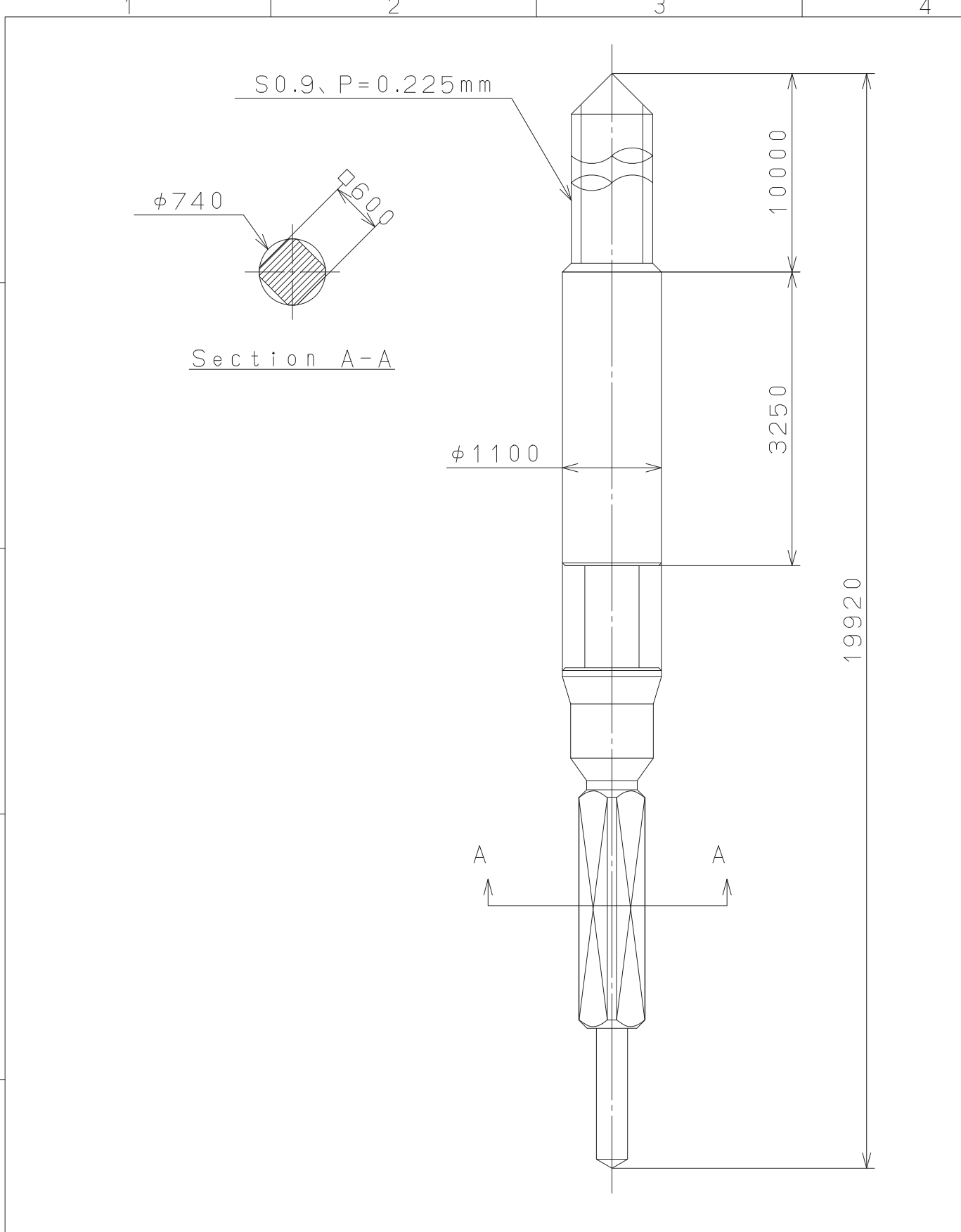
This drawing is provisional and subject to our reconfirmation and/or revision without notice.



|                |      |             |          |                    |              |                      |
|----------------|------|-------------|----------|--------------------|--------------|----------------------|
| △5             |      |             | Quantity |                    | Cal.NO.:     | 9015-20G             |
| △4             |      |             | Unit     | 1 / 1000 mm        | Parts No.:   |                      |
| △3             |      |             | Scale    | 5 : 1              | Name:        | Indications for Dial |
| △2             |      |             | Date     |                    | Drawing No.: |                      |
| △1             |      |             | Drawn    |                    | MIYOTA       |                      |
| Mark           | Date | Description | Appr.    | Checked            |              |                      |
| Alterations    |      |             | Approved |                    |              |                      |
| Material       |      |             |          | General Tolerances |              |                      |
| Heat Treatment |      |             |          | Dimensions         |              |                      |
| Hardness       |      |             |          | Angles             |              |                      |
| Plating        |      |             |          |                    |              |                      |

2009/03/19 (15:03:29)

This drawing is provisional and subject to our reconfirmation and/or revision without notice.



|                |      |             |                    |   |                       |
|----------------|------|-------------|--------------------|---|-----------------------|
| △5             |      |             | Quantity           |   | Cal.NO.:              |
| △4             |      |             | Unit               | 1/1000mm  |                       |
| △3             |      |             | Scale              | 17:1  | Parts No.:            |
| △2             |      |             | Date               |   | 065-A05               |
| △1             |      |             | Drawn              |   |                       |
| Mark           | Date | Description | Appr.              | Checked   | Name:                 |
|                |      | Alterations | Approved           | N. Suzuki   | SETTING STEM          |
| Material       |      |             |                    |   | Drawing No.: A050S000 |
| Heat Treatment |      |             | General Tolerances | <b>MIYOTA</b><br>CITIZEN WATCH CO., LTD. TOKYO, JAPAN |                       |
| Hardness       |      |             | Dimensions         |   |                       |
| Plating        |      |             | Angles             |   |                       |