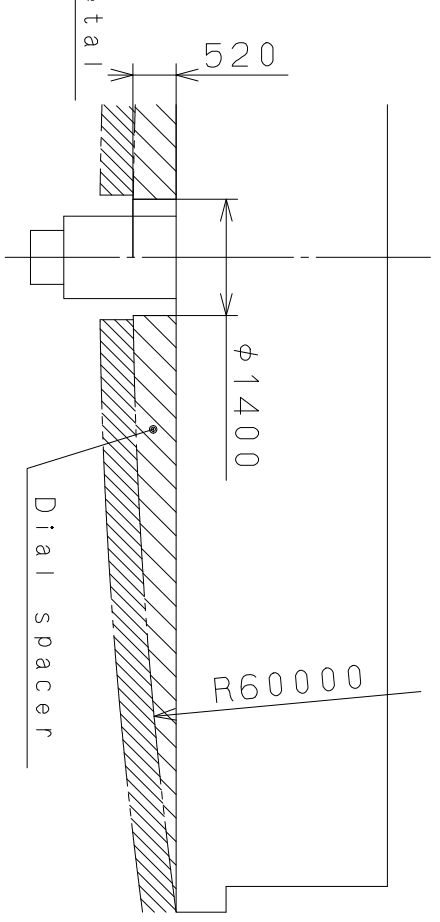
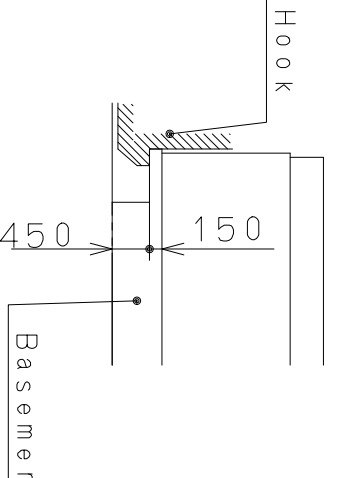
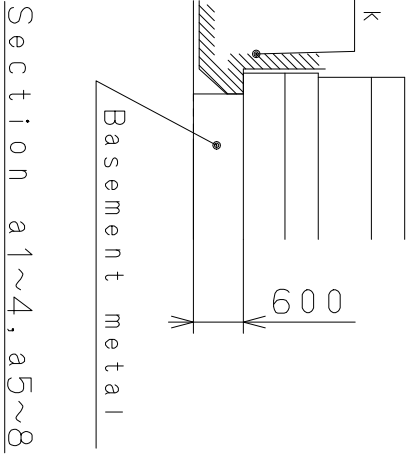
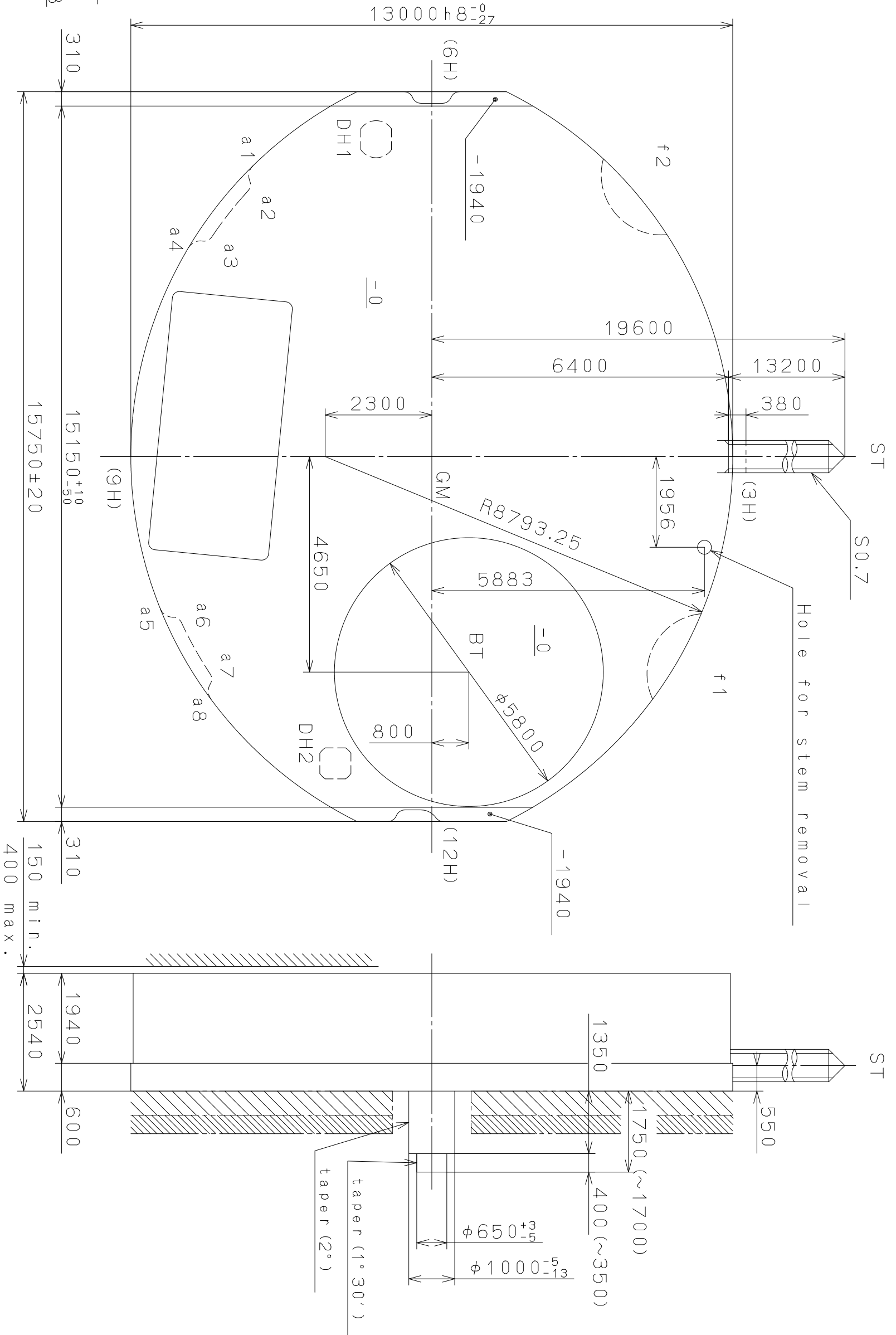


This drawing is provisional and subject to our reconfirmation and/or revision without notice.

DH1~DH2=13499±20

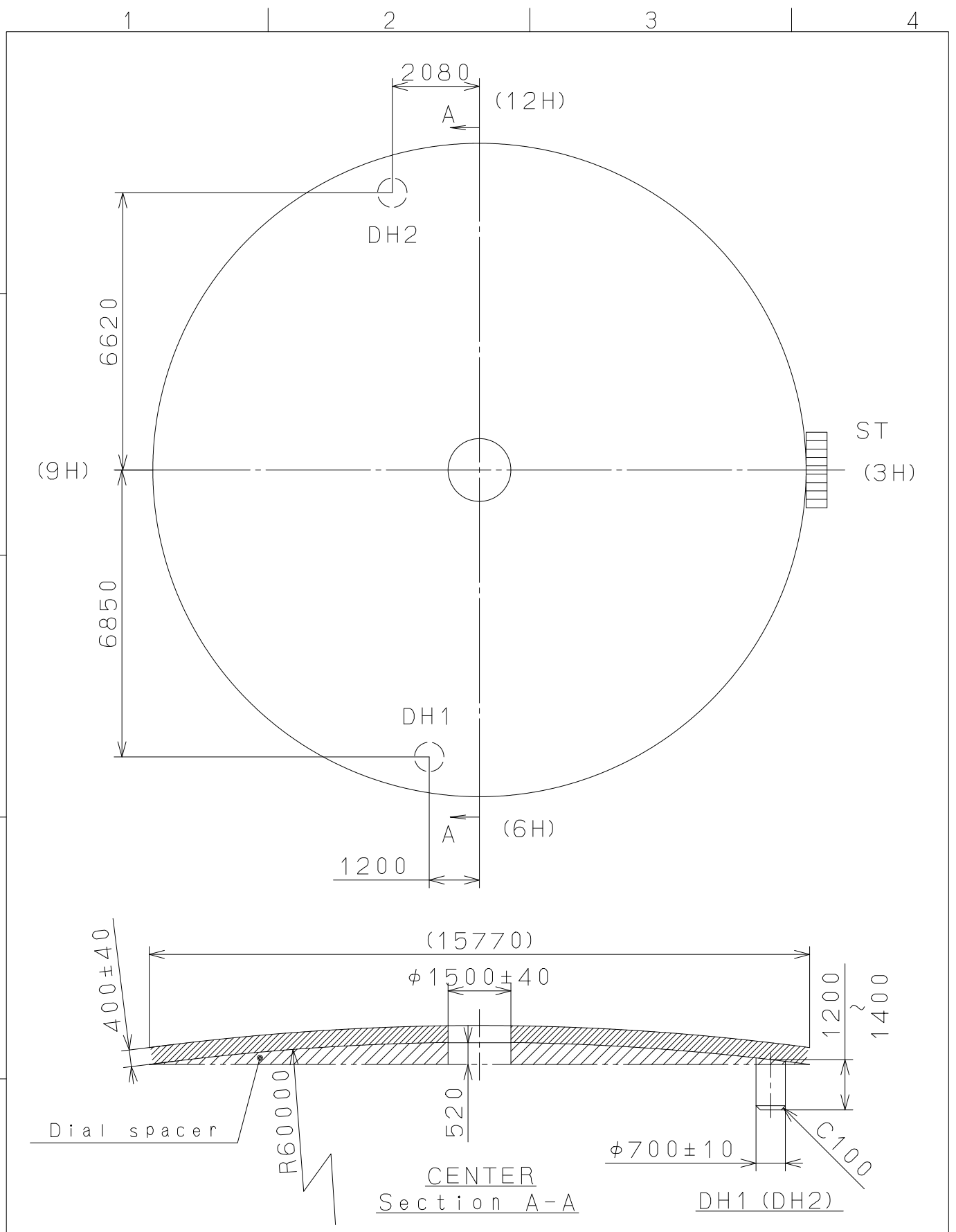
Coordinates

Mark	X	Y	R
GM	0	0	—
DH1	-6850	-1200	—
DH2	6620	-2080	—
a1	-6062	-3648	300
a2	-5872	-4111	200
a3	-4850	-4915	200
a4	-4356	-4991	300
a5	3166	-5581	300
a6	3665	-5583	200
a7	4800	-4948	200
a8	5060	-4521	300
f1	4684	5943	1300
f2	-6086	4956	1300



△	Quantity	1/1000 mm	Cal. NO.:	5Y26
△	Unit	1/1000 mm	Parts No.:	
△	Scale	1:1		
△	Date			
△	Drawn			
△	Checked			
△	Approved			
△	Material			
△	Heat Treatment			
△	Hardness			
△	Plating			
	Alterations			
	Date			
	Description			
	Appr.			
	Checked			
	Approved			
	Material			
	Heat Treatment			
	Hardness			
	Plating			
	General Tolerances			
	Dimensions			
	Angles			
	Name: Frame for Case			
	Drawing No.: 5Y2600C0			
	Miyota			
	CITIZEN WATCH CO., LTD. TOKYO, JAPAN			

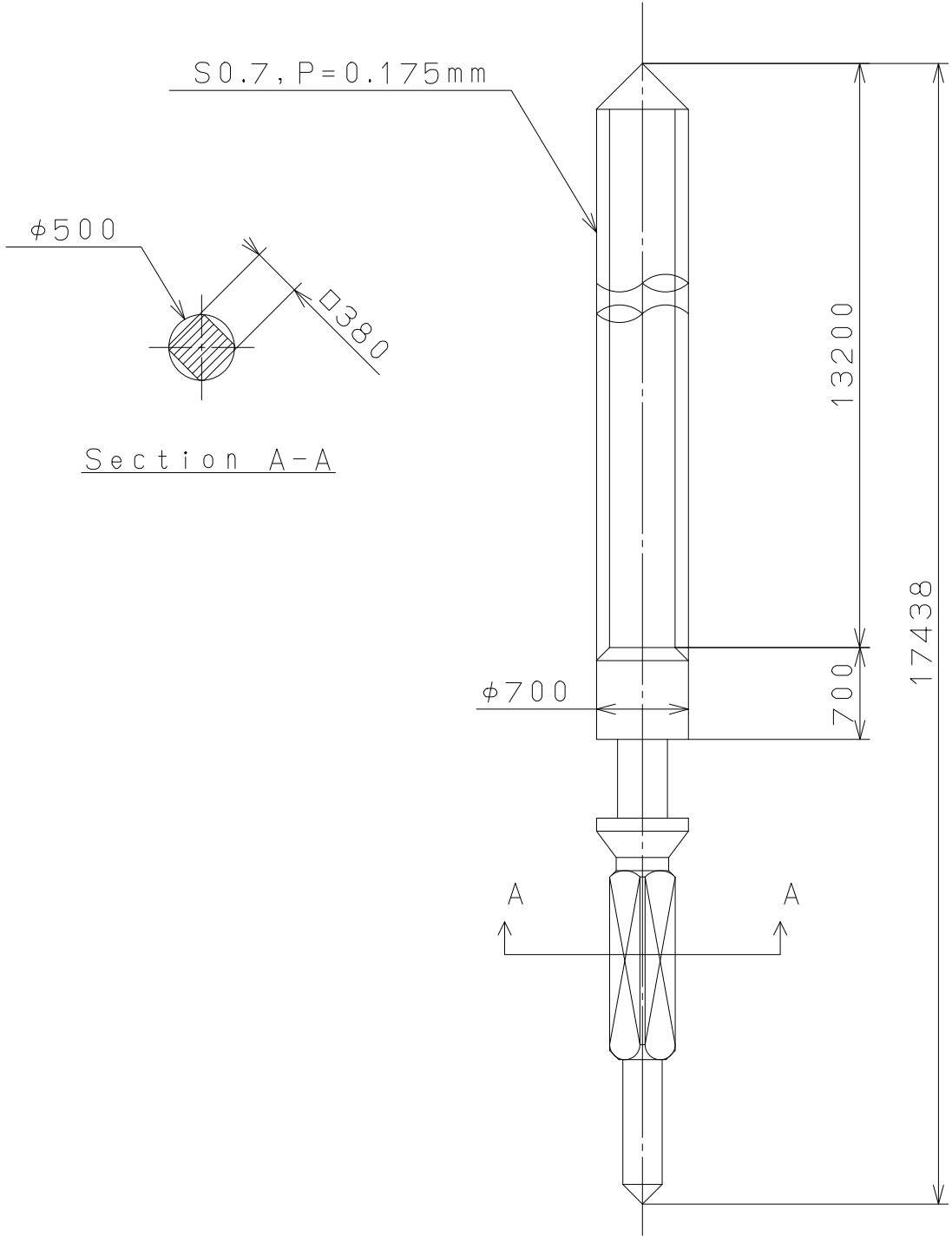
This drawing is provisional and subject to our reconfirmation and/or revision without notice.



△			Quantity		Cal.NO.:
△			Unit	1 / 1000 _{mm}	5Y26-10B
△			Scale	8 : 1	Parts No.:
△			Date		
△			Drawn		
Mark	Date	Description	Appr.	Checked	Name:
		Alterations	Approved	D. Yamada	Indications for Dial
Material					Drawing No.: 5Y2600D0
Heat Treatment			General Tolerances	<div style="text-align: center; font-weight: bold; font-size: 2em;">MIYOTA</div> CITIZEN WATCH CO., LTD. TOKYO, JAPAN	
Hardness			Dimensions		
Plating			Angles		

This drawing is provisional and subject to our reconfirmation and/or revision without notice.

A
B
C
D
E
F



△			Quantity		Cal.NO.:
△			Unit	1 / 1000 mm	
△			Scale	20 : 1	Parts No.:
△			Date		065-403
△			Drawn		
Mark	Date	Description	Appro.	Checked	Name:
		Alterations	Approved	D. Yamada	SETTING STEM
Material					Drawing No.: 403000S0
Heat Treatment			General Tolerances	MIYOTA CITIZEN WATCH CO., LTD. TOKYO, JAPAN	
Hardness			Dimensions		
Plating			Angles		