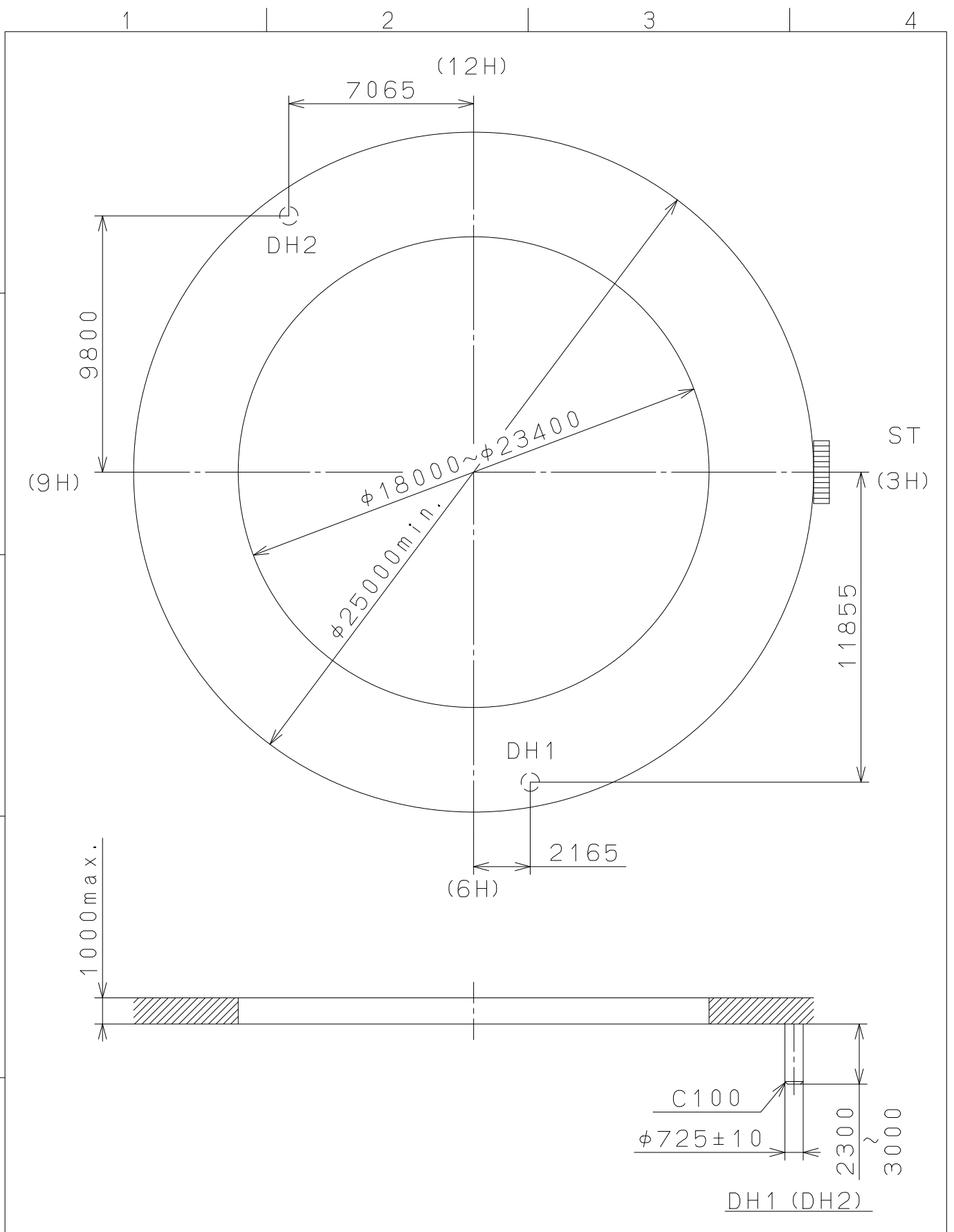
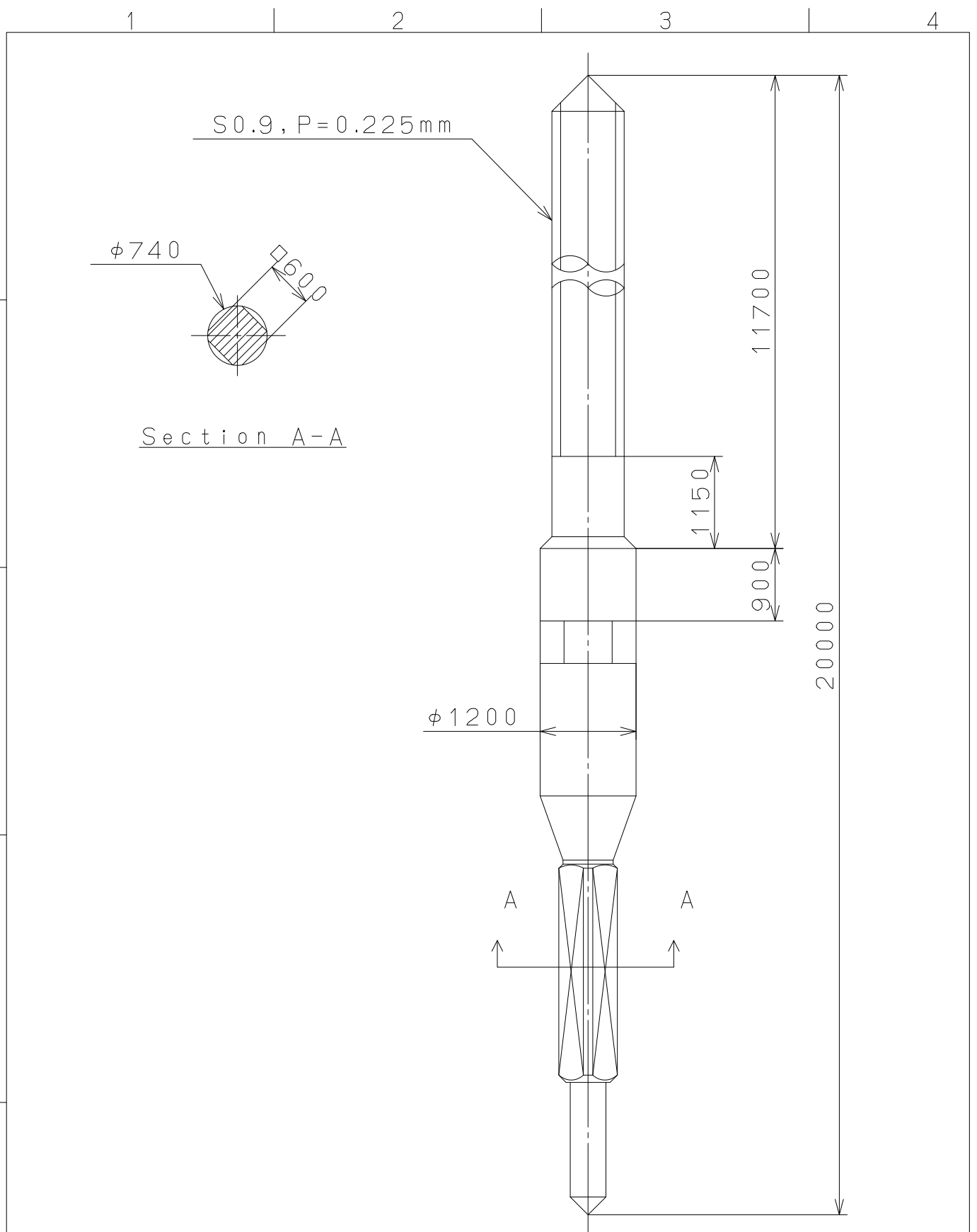


This drawing is provisional and subject to our reconfirmation and/or revision without notice.



| | | | | | |
|----------------|------|-------------|----------|-------------|-----------------------|
| △ | | | Quantity | | Cal.NO.: |
| △ | | | Unit | 1 / 1000 mm | 8N24-43A |
| △ | | | Scale | 5 : 1 | Parts No.: |
| △ | | | Date | | |
| △ | | | Drawn | | |
| Mark | Date | Description | Appr. | Checked | Name: |
| | | Alterations | | Approved | D. Yamada |
| Material | | | | | Indications for Dial |
| Heat Treatment | | | | | Drawing No.: 8N2400D0 |
| Hardness | | | | | MIYOTA |
| Plating | | | | | |

This drawing is provisional and subject to our reconfirmation and/or revision without notice.



| | | | | | |
|----------------|------|-------------|----------|--------------|--------------------------------------|
| △ | | | Quantity | | Cal.NO.: |
| △ | | | Unit | 1/1000mm | |
| △ | | | Scale | 15:1 | Parts No.: |
| △ | | | Date | | 065-212 |
| △ | | | Drawn | | Name: |
| Mark | Date | Description | Appr. | Checked | D. Yamada |
| Alterations | | | Approved | SETTING STEM | |
| Material | | | | | Drawing No.: 212000S0 |
| Heat Treatment | | | | | MIYOTA |
| Hardness | | | | | |
| Plating | | | | | |
| | | | | | CITIZEN WATCH CO., LTD. TOKYO, JAPAN |